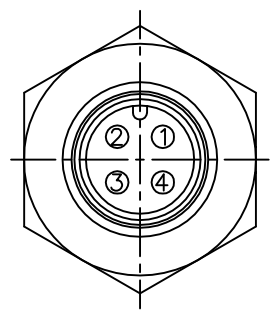
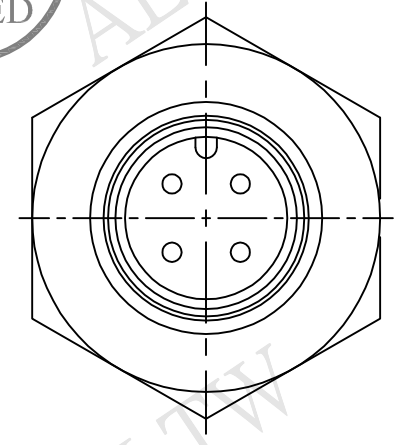
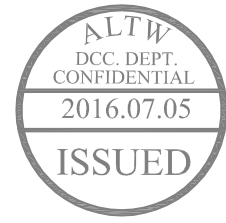
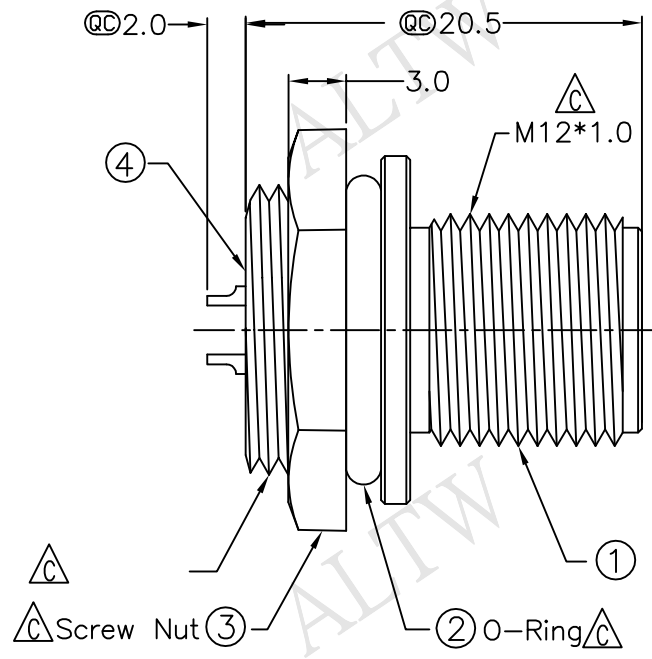
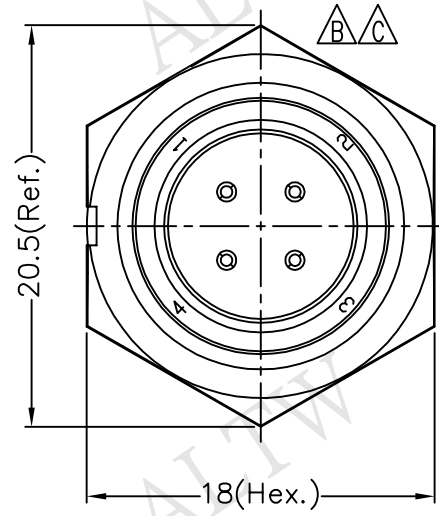
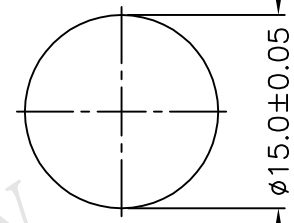


REV.	ECN NO.	DATE	SIGN	DESCRIPTION
B	LE315B0342	2015/11/14	Mila	Add Pin mark & Note
C	LEN1670027	2016/06/30	Joyy	Modify The Pin mark & Dimension



Pin Assignment
Front View



Recomended
Panel Cut-Out



- Note:**
- * @C Important Dimension To Check.
 - * Waterproof Rate: IP67
 - * Connector: Nylon+GF, Black
 - * Screw Nut: Nylon+GF, Black
 - * O-Ring: EPDM, Black
 - * Male Pin: Copper Alloy, Gold Plated
 - * For Panel Thickness Max 2.2mm

UNIT:mm	
TOLERANCE	
.X	±0.25
.XX	±0.1
.XXX	±0.05
ANGLES	±1°

TITLE M12 4Pin Male Sensor Connector	
SCALE 3:1	SHEET 1 OF 1
REV. C	SIZE A4
@C : Inspection Item	

Amphenol LTW
安費諾亮泰企業股份有限公司

ITEM NO LTWM12P-04PMMS-SC	DRAWN BY Joyy
DWG NO LTWM12P-04PMMS-SC	CHECKED BY Ma Fei
CUSTOMER ALTW	APPROVED BY Jerry

DATE 2016/06/30
DATE 2016/06/30
DATE 2016/06/30

THIS DOCUMENT IS SUBJECT TO CHANGE WITHOUT NOTICE. IT IS CONFIDENTIAL AND A PROPERTY OF Amphenol LTW. DISCLOSURE TO THIRD PARTY HAS TO BE AUTHORIZED BY Amphenol LTW.