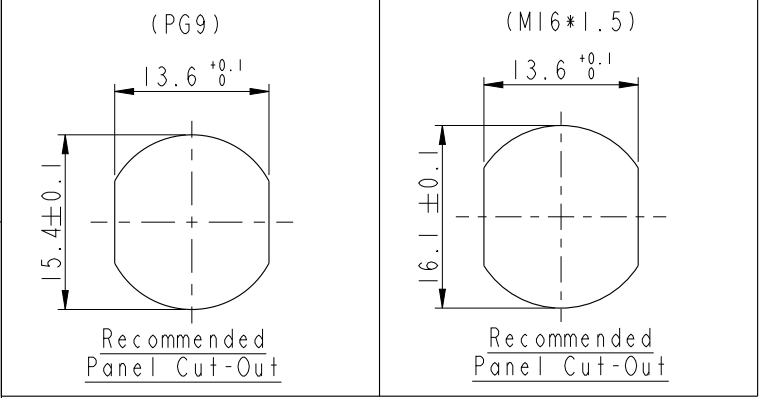
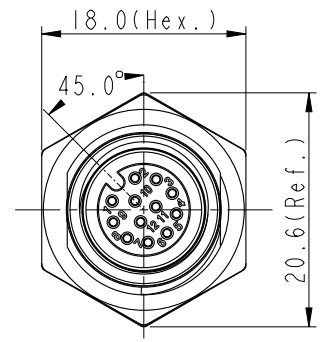
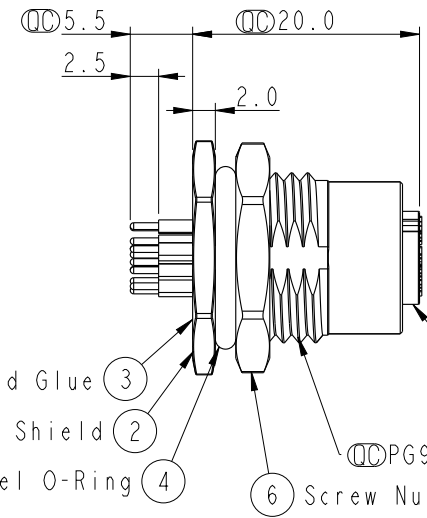
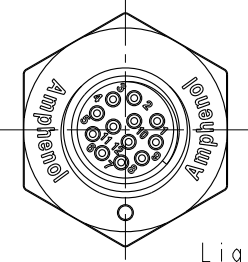


THIS DOCUMENT IS SUBJECT TO CHANGE WITHOUT NOTICE. IT IS CONFIDENTIAL AND A PROPERTY OF Amphenol LTW. DISCLOSURE TO THIRD PARTY HAS TO BE AUTHORIZED BY Amphenol LTW.

REV.	ECN NO.	DATE	SIGN	DESCRIPTION
B	LEN1570228-233 LE31570204-209	2015-07-20	Yulong_wang	Change to Share Drawing.



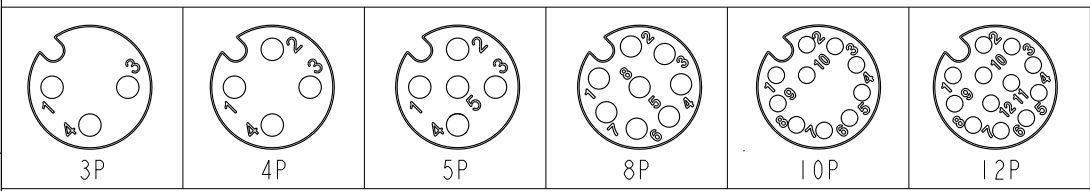
△



ALTW
CONFIDENTIAL
 2015-07-20
R&D DEPT.

ALTW
 DCC. DEPT.
 CONFIDENTIAL
 2015.07.29
ISSUED

- Note:
- * \varnothing Important Dimension.
 - * Waterproof Rate: IP68.
 - * Housing: Nylon+GF, Black.
 - * Female Pin: Copper Alloy, Gold Plated.
 - * Shield: Zinc Alloy, Nickel Plated.
 - * Screw Nut: Zinc Alloy, Nickel Plated.
 - * Panel O-Ring: Viton, Black.
 - * Housing O-Ring: Viton, Green.
 - * Rated Voltage: 3 & 4Pin 250V dc. or ac.
5Pin 60V dc. or ac.
6~12Pin 30V dc. or ac.
 - * Rated Current: 3~5Pin 4A
6~8Pin 2A
10~12Pin 1.5A
 - * Operating Temperature: -40~105°C
 - * For Panel Thickness Max 4.5mm.
 - * Recommended Nut Torque: 4-6 Kgf.cm.



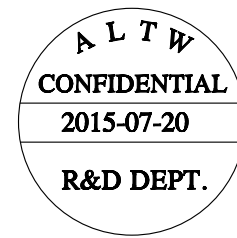
Pin Assignment Front View

UNIT: mm			TITLE MI2 A-Code Female Conn. PCB Type Unshielded
TOLERANCE .X ±0.25 .XX ±0.1 .XXX ±0.05 ANGLES ±1°	SCALE 2:1	SIZE A4	SHEET 1 OF 2
REV. B	WC-REV. A.5	Inspection item	

Amphenol LTW
安費諾亮泰企業股份有限公司

ITEM NO.	DRAWN BY Yulong_wang	DATE 2015-07-20
DWG NO. MI2A-XXPFFP-SF8XXX	CHECKED BY Cary	DATE 2015-07-20
CUSTOMER ALTW	APPROVED BY Jerry	DATE 2015-07-20

THIS DOCUMENT IS SUBJECT TO CHANGE WITHOUT NOTICE. IT IS CONFIDENTIAL AND A PROPERTY OF Amphenol LTW. DISCLOSURE TO THIRD PARTY HAS TO BE AUTHORIZED BY Amphenol LTW.



M 12A - XX P F F P - S F 8 XXX

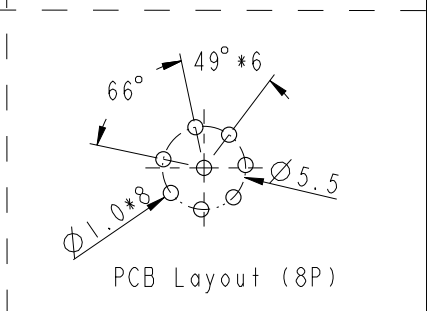
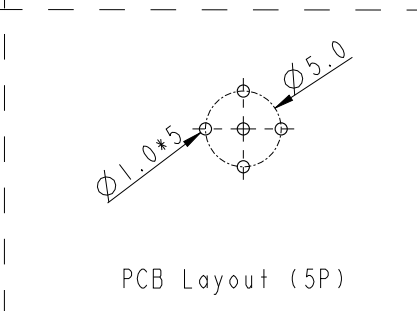
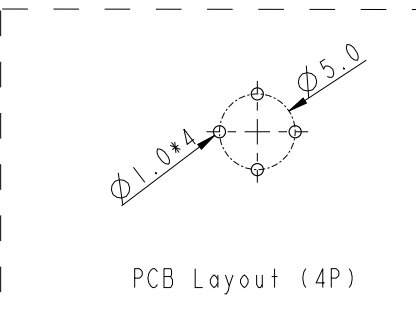
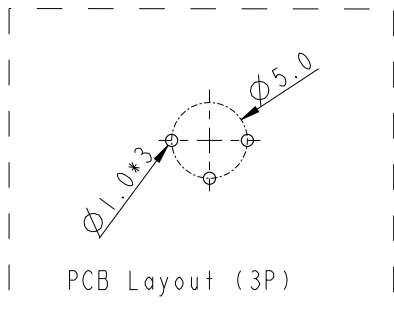
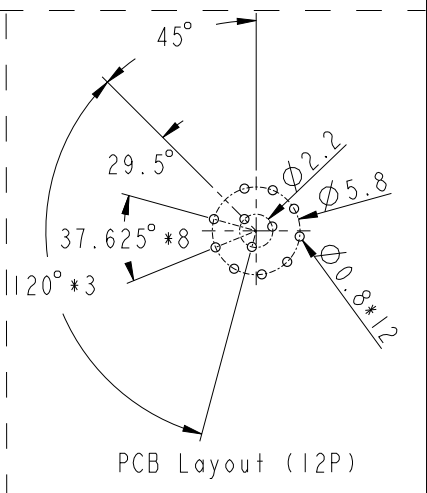
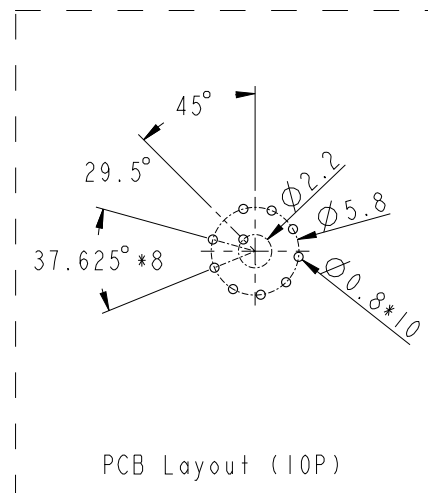
12A: A-Code
 03: 3Pin
 04: 4Pin
 05: 5Pin
 08: 8Pin
 10: 10Pin
 12: 12Pin

P: Panel (板端)
 F: Female Connector (母座)

001: PG9
 002: M16*1.5

8: IP68 (防水等級68)

F: Front Fasten (前鎖式/Enclosure Rear Mount)
 S: Screw (螺紋式)
 P: PCB THT/DIP Type (180° 基板插件式)
 F: Female Pin (母Pin)



UNIT: mm		
TOLERANCE		
.X	±0.25	
.XX	±0.1	
.XXX	±0.05	
ANGLES	±1°	

TITLE M12 A-Code Female Conn. PCB Type Unshielded		
SCALE 2:1	SIZE A4	SHEET 2 OF 2
REV. B	WC-REV. A.4	Inspection item

Amphenol LTW
 安費諾亮泰企業股份有限公司

ITEM NO	DRAWN BY Yulong_wang	DATE 2015-07-20
DWG NO M12A-XXPFFP-SF8XXX	CHECKED BY Cary	DATE 2015-07-20
CUSTOMER ALTW	APPROVED BY Jerry	DATE 2015-07-20

DATE 2015-07-20
DATE 2015-07-20
DATE 2015-07-20