

PYRANOMETER / PAR SENSOR



MESA

GENERAL

The irradiance of the sun is an important factor to be measured in agriculture, photovoltaics, solar energy collection and for meteorological purposes. With the Pyranometer and PAR sensor all common application can be covered, whereas precise optical filters are used. Very unique is the glass dome which protects the measuring cell from all the weather conditions and the newly offered threshold depending output switch, which can directly switch on/off a light or can be feed to a control unit.



MEASUREMENT TECHNIC

Selected silicon transducers, especially treated filters and distinct domed glass transducer cover make our irradiance sensors extremely stable and precise instruments. Box level is already integrated, adjustment is to be done by knurled screws.

ADVANTAGES

- Ready to use with an integrated box level
- Measuring range 0..1400W/m²
- Output signal: 0..50mV passive, standardized or with amplifier 0..10V, 4..20mA
- Custom output signal/measurement range on request
- Protection class Ip67
- programmable threshold output switch
- easy and fast levelling/mounting due to fixation with integrated knurled screw

CALIBRATION

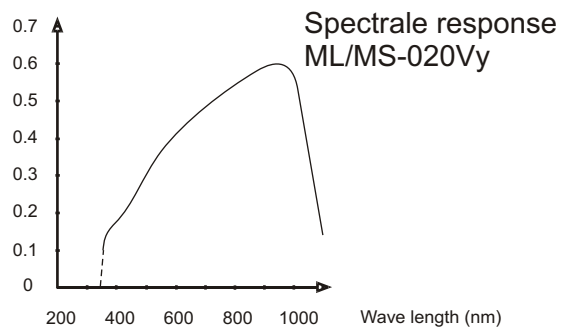
All pyranometers are calibrated under clear natural sky at approximately 20°C ambient temperature against a thermopile-pyranometer (secondary standard). The date of the next calibration is marked on the housing of each sensor.

OUTPUT

MS/ML series shows highest flexibility referring it's output signals. Standardized 50mV for all basic versions is available as well as up to 10V or 4..20mA signals. The professional version is equipped with a build in threshold device which is able to switch against ground when it comes to exceed a certain threshold.

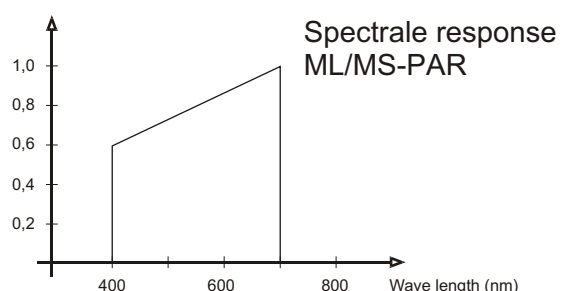
PYRANOMETER

- PV site evaluation programs
- monitoring PV plants/homes
- agriculture, photovoltaic plants
- science



PAR-SENSOR

- Green houses
- Photosynthesis related studies in agriculture
- forestry, winegrowing, science



TECHNICAL DATA

With amplifier	MS-020Vy *	MS-PAR
Measuring range	0..1400 W/m ²	0..3000 µmol/sm ²
Output	0..1V 0..10V @>5kOhm load 4..20mA @<200Ohm load others on request	0..1V 0..10V @>5kOhm load 4..20mA @<200Ohm load others on request
	short circuit, inverse polarity and over-voltage protected up to U	short circuit, inverse polarity and over-voltage protected up to U
Threshold switch 20-100% full scale	max. 24V/0,5A 24V against U _{GND}	
Temperature drift	<0,1%/K	<0,1%/K
Spectral response	350..1100nm	400..700nm
Long term drift	<2%/year	<2%/year
Refresh time	<<1s	<1s
Offset	<5mV@0W/m ²	<5mV@0µmol/sm ²
Cosine-error	<10%@80°	<10%@80°
Power supply	12..24V (7mA@24V)	12..24V (7mA@24V)
Operating temp	-40°..+60°C	-40°..+60°C
Cable	2m / 4/6x0,22mm ²	2m / 4x0,22mm ²
Weight	150g	150g
Without amplifier	ML-020VM	ML-PAR
Measuring range	0..1400 W/m ²	0..3000 µmol/sm ²
Output	0..50mV	0..50mV

* see ordering code

ORDERING CODE

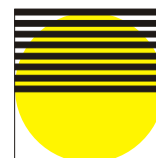
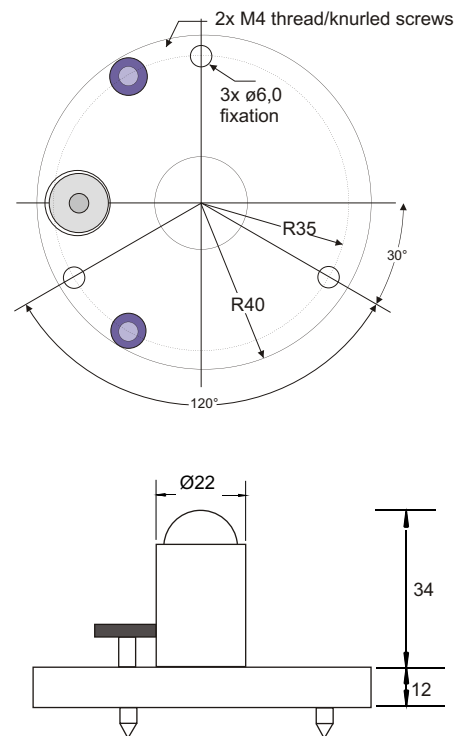
Mx	020Vy	M	O	Threshold active = S	G	H	T
		Measuring range Standard 1400W/m ²	Output 0..50mV 0..1V 0..10V 4..20mA custom		Desired threshold value 20-100% fs. (F.s.) x %	Hysteresys xxx W/m ²	Switching on/off time delay xx minutes
	Version M= Standard P= Professional						

x= S with amplifier
x= L without aplifier

YOUR LOCAL REPRESENTATIVE

DIMENSION

ML/MS-020Vy with standard housing



MESA

MESA Systemtechnik GmbH
August-Borsig-Str. 20
78467 Konstanz - Germany
Telefon: ++49(0)7531/9371-0
Telefax: ++49(0)7531/9371-71
Email: info@mesa-systemtechnik.de
http:// www.mesa-systemtechnik.de

Technical data is subject to change.
Date: Pyranometer_E_0979-1