

**Product number C10754_CUTE-3-SS**

Family	Cute	FWHM	(simulated) 19
Type	Lens array	Efficiency	87 %
LED	XM-L HVW	cd/lm	-
Color	Clear	Gerber File	Available
Diameter	35 mm	Pin height 3mm	
Height	15 mm		
Style	Round		
Optic Material	PMMA		
Holder Material	-		
Fastening	Pin, glue		
Status	On production		

**Product number C10755_CUTE-3-M**

Family	Cute	FWHM	(simulated) 33
Type	Lens array	Efficiency	84 %
LED	XM-L HVW	cd/lm	-
Color	Clear	Gerber File	Available
Diameter	35 mm	Location Pin total height 3mm.	
Height	15 mm		
Style	Round		
Optic Material	PMMA		
Holder Material	-		
Fastening	Pin, glue		
Status	On production		

**Product number C10756_CUTE-3-W**

Family	Cute	FWHM	(simulated) 41
Type	Lens array	Efficiency	87 %
LED	XM-L HVW	cd/lm	-
Color	Clear	Gerber File	Available
Diameter	35 mm	Location pin height 1.5mm	
Height	15 mm		
Style	Round		
Optic Material	PMMA		
Holder Material	-		
Fastening	Pin, glue		
Status	On production		

**Product number C11333_CUTE-3-SS**

Family	Cute	FWHM	(simulated) 19
Type	Lens array	Efficiency	87 %
LED	XM-L HVW	cd/lm	-
Color	Clear	Gerber File	Available
Diameter	35 mm		
Height	15 mm		
Style	Round		
Optic Material	PMMA		
Holder Material	-		
Fastening	Pin, glue		
Status	On production		

**Product number** C11334_CUTE-3-M

Family	Cute	FWHM	(simulated) 33
Type	Lens array	Efficiency	84 %
LED	XM-L HVW	cd/lm	-
Color	Clear	Gerber File	Available
Diameter	35 mm		
Height	15 mm		
Style	Round		
Optic Material	PMMA		
Holder Material	-		
Fastening	Pin, glue		
Status	On production		

NOTE: The typical divergence will be changed by different color, chip size and chip position tolerance. The typical total divergence is the full angle measured where the luminous intensity is half of the peak value.



PRODUCT DATASHEET

Cute series

last update 7/3/2014

GENERAL INFORMATION

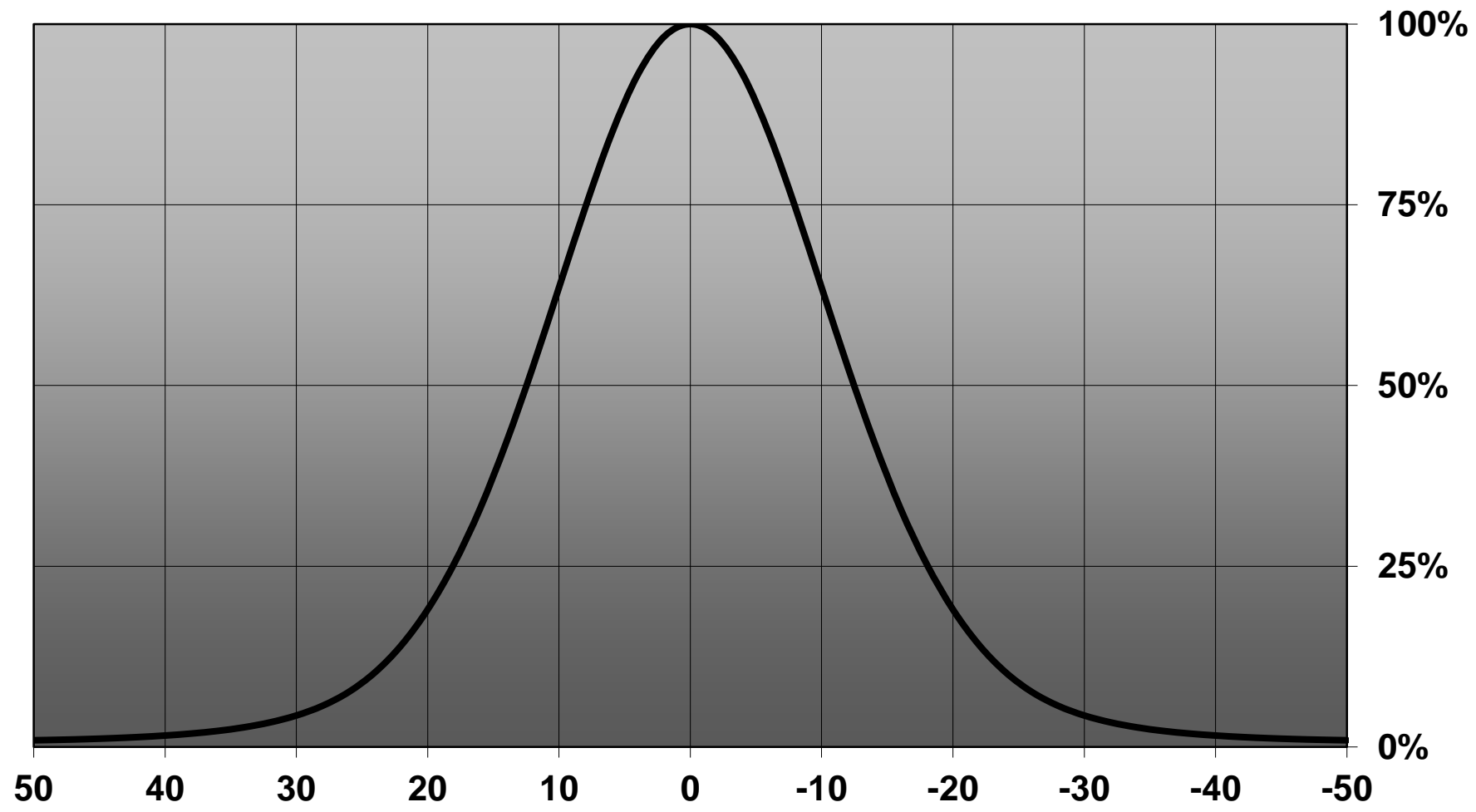
- Product series especially designed & optimized for XM-L HVW series of LEDs.
- Special care taken to make light distribution as uniform as possible.
- Lens material optical grade PMMA with high UV and temperature resistance. Allows use of high current and temperature conditions.

Please find more information about used material from below:

http://ledil.fi/sites/default/files/Documents/Technical/Material/PMMA%20N%20UL94_Yellow%20Card.pdf

<http://ledil.fi/sites/default/files/Documents/Technical/Material/PMMA%20N%20PLEXIGLAS-Datasheet.pdf>

Relative intensity of C11334_Cute-3-M-XM



D

C

B

A

4

3

2

1

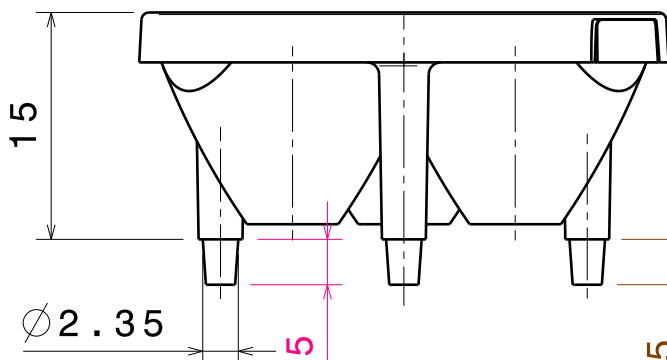
Ø28 3x120deg

Ø17 3x120deg

Ø35

Ø4.4

Bottom view



Side view

1.5
Wide lens

Material: PMMA

Part no.s;

Spot:

C10754_Cute-3-SS

C11333_Cute-3-SS, pin head length =1.5mm

Medium:

C10755_Cute-3-M

C11334_Cute-3-M, pin head length =1.5mm

Wide:

C10756_Cute-3-W

3 or 1.5

This drawing is our property. It can't be reproduced or communicated without our written agreement.



Ledil Oy
Tehdaskatu 13
FIN-24100 SALO
Finland

DRAWING TITLE

Datasheet Cute-3 Lens Series

DRAWN BY
pv

DATE
08.02.2010

CHECKED BY
TK

DATE
09.09.2008

SIZE
A4

DRAWING NUMBER

REV
1

DESIGNED BY
HH

DATE
09.09.2008

SCALE 2:1

WEIGHT (g)

SHEET

1 / 1

D

A

1