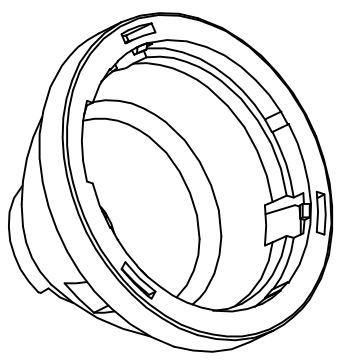
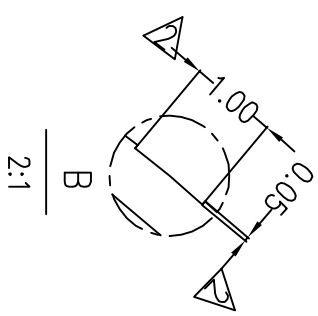
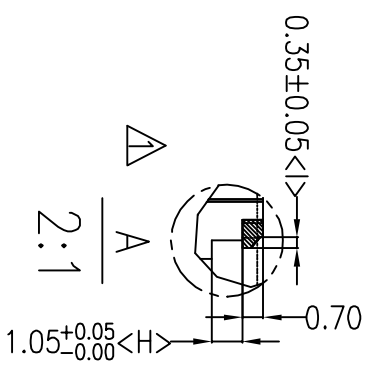
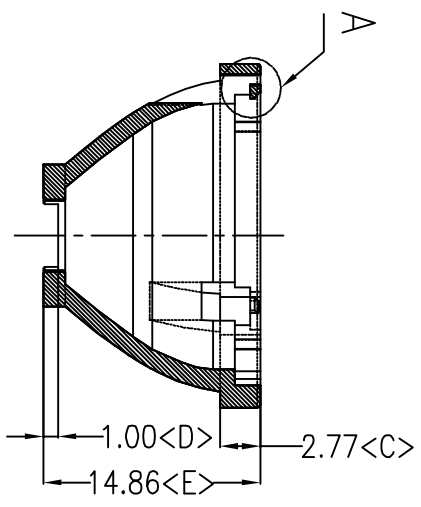
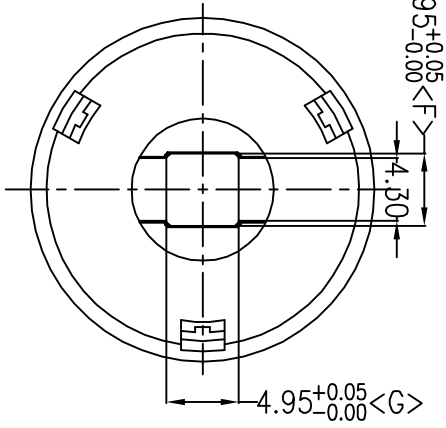
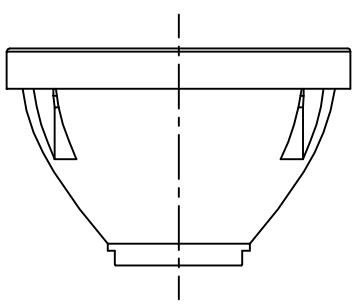
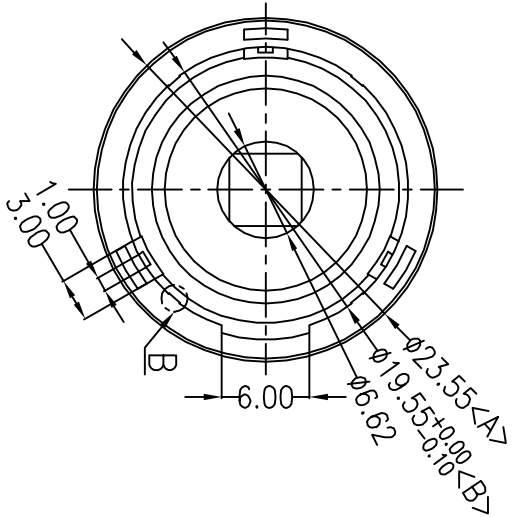


DRAW	REV	DATE	DESCRIPTION
杨安	A	09/09/14	卡点长度由1.5mm改为1.0mm, 宽度由0.5mm改为0.35mm
何耀杰	A	09/10/10	产品增加两位



GENERAL TOLERANCES (UNLESS STATED)		Crucial point		UNIT	
LINEAR	ANGULAR	Expect mark	TITLE	MATERIAL	PC防火
X ± 0.25	X $\pm 1^\circ$	APPROVED	H38W	MM	DATE
XXX ± 0.20	X.X $\pm 0.5^\circ$	CHECK	LL01NICW25H2	SCALE	REV
XXX ± 0.10	X.XX $\pm 0.1^\circ$	DRAWING	H38W	FIT	1.2
			何耀杰		2009/10/10

Ledlink® LedLink Optics, Inc.
LINKING LENS TO THE REAL WORLD

Third Angle Projection