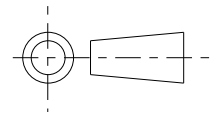


ISS.	DATE	D.C.N.	DESCRIPTION
1	14-Oct-08		FIRST ISSUE
2	05-Oct-12	07/12/1340	4 cutouts added to allow clip flex
3	19-Oct-12	10/12/1353	Additional wall height removed.

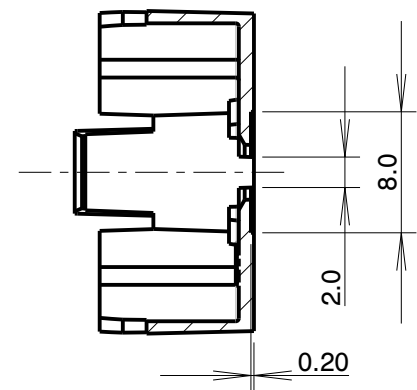
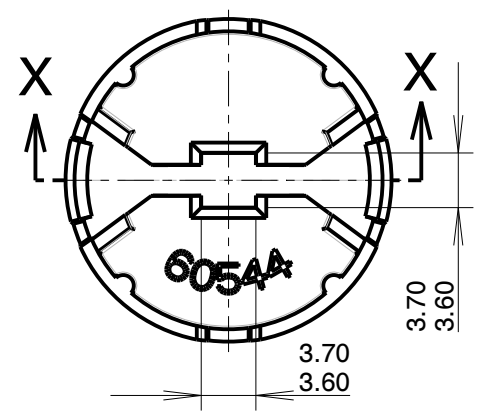
© 2011 CTP-COIL
ALL DIMENSIONS IN mm



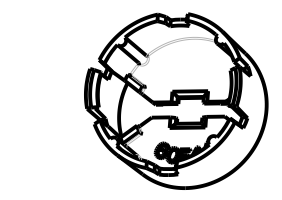
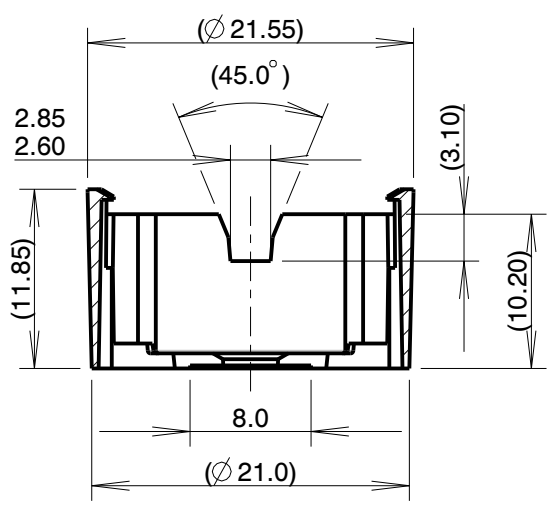
CARCLO TECHNICAL PLASTICS (SLOUGH)
103 BUCKINGHAM AVE, SLOUGH
SL1 4PF, ENGLAND
TEL: +44 1753 680100 FAX: +44 1753 811359
e-mail: design@carclo-optics.com}

GENERAL TOLERANCES (UNLESS STATED)

LINEAR	ANGULAR
X +/- 0.25	X +/- 1°
X.X +/- 0.1	X.X +/- 0.5°
X.XX +/- 0.05	X.XX +/- 0.1°



SECTION Y-Y



3D GENERAL VIEW
SCALE 1:1

CUSTOMER DRAWING

NOTES:
1. MATERIAL: POLYCARBONATE
2. GENERAL WALL THICKNESS 1mm

PART No.	DESCRIPTION
10566	BLACK
10567	WHITE
10568	CLEAR

CUSTOMER

CARCLO

TITLE

20MM DIA LED OPTIC HOLDER
FOR 3.5 x 3.5MM LEDS

DRAWN

AJD

DATE

14-Oct-08

CHK'D

DATE

APP'D

DATE

SCALE

2:1

CARCLO PART No.

SEE TABLE

SIZE

A4

CARCLO DRG. No.

60544

SHEET

2 OF 2