

NOTE:

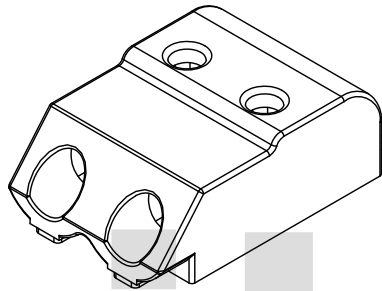
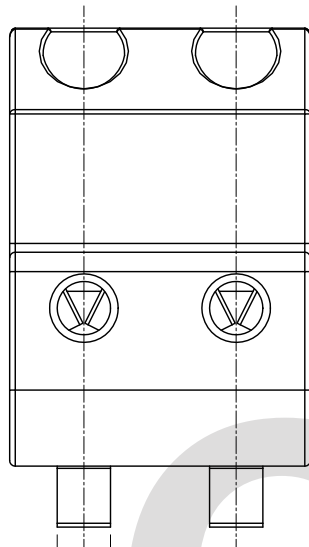
Material :

- * Base : PPA With 33% GF. UL 94V-0
- * Contact : Phosphor Bronze
- * For Lead Free IR Reflow Process
- * Recommended to use Solid wire
AWG#18~#22(0.75 and 0.50mm²)

ORDERING CODE

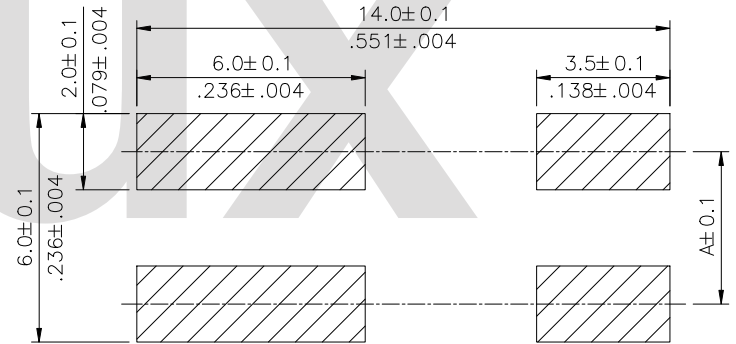
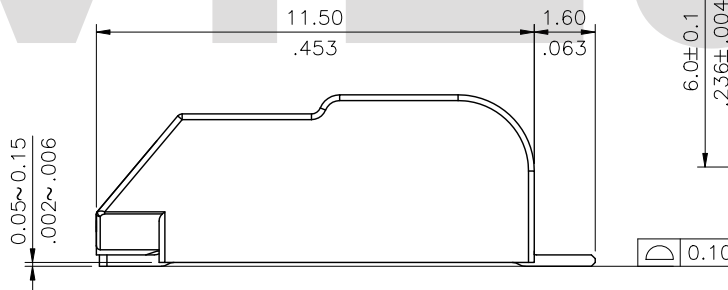
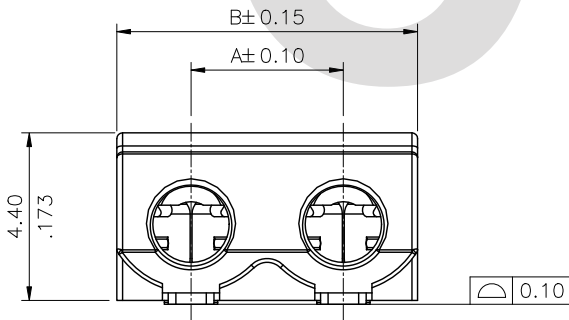
CID1 ** M 1 H R0 -NH
 ① ② ③ ④ ⑤ ⑥ ⑦

- ① Series No.
- ② Contact: 01 to 03
- ③ M= SMT TYPE HEADER
- ④ Plating :
1= 3.05μm(120μ") Min. Matte Tin Plated
over 1.27um(50μ") Nickel
- ⑤ Type : H= Side entry
- ⑥ Packing option:
R0= Tape & Reel Packing
- ⑦ -NH= For Lead Free IR Processes
and Halogen-Free



	A	B
1 P	-	3.9(.154)
2 P	4.0(.157)	7.9(.311)
3 P	8.0(.315)	11.9(.469)

1.40
.055



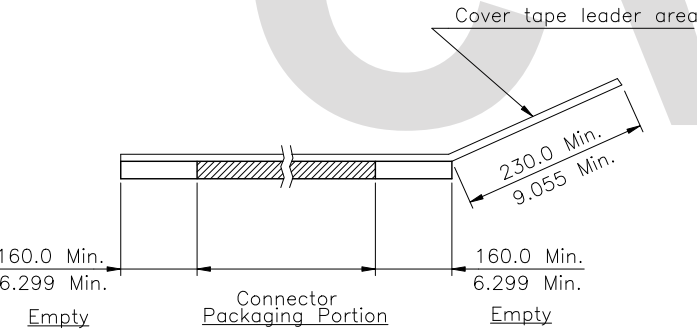
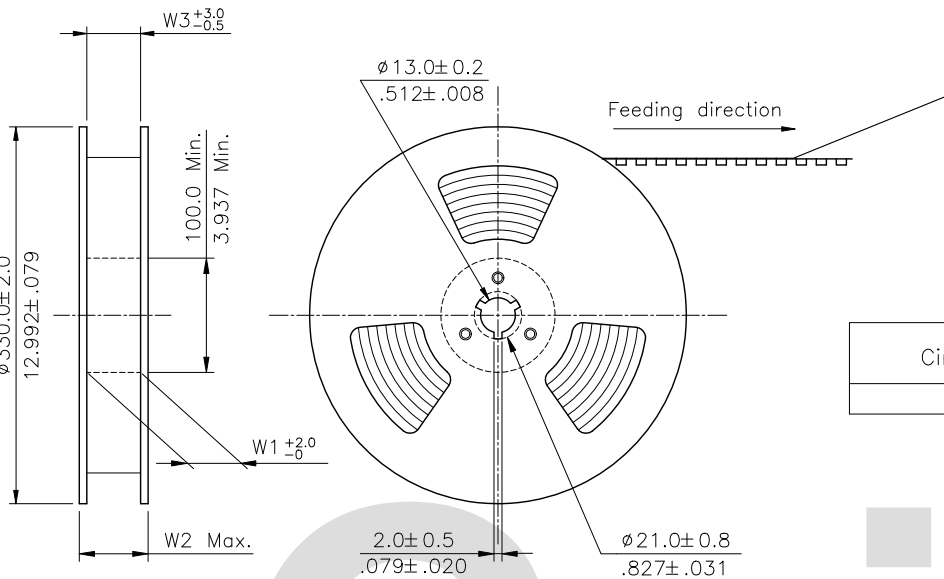
Recommended P.C. Board Layout

Lead Free Process

Halogen-Free

RoHS Compliant

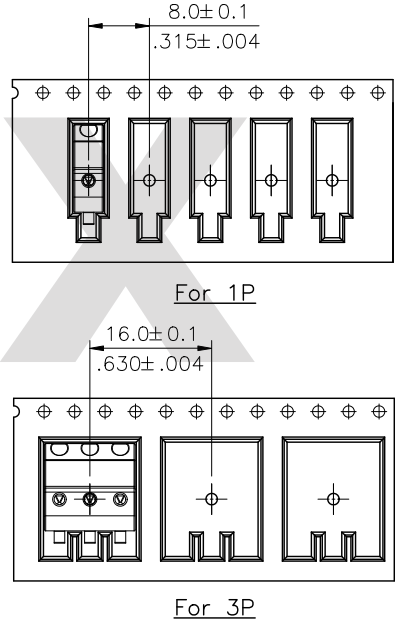
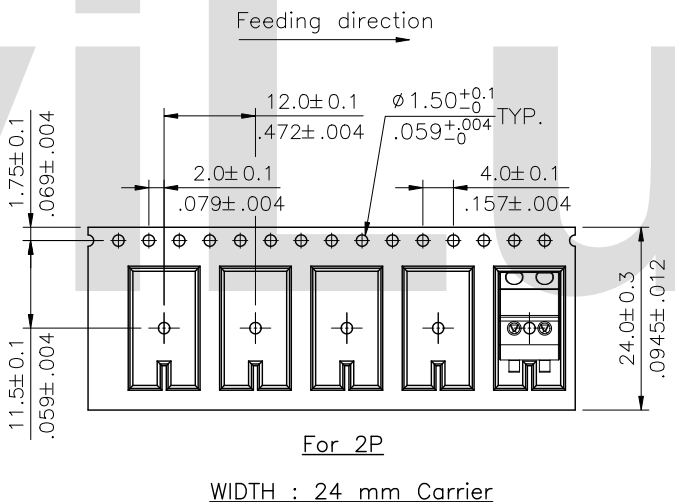
④					DATE	UNIT: mm / inch	TITLE: 4.00mm Side entry SMT Type Connector	 瀚荃股份有限公司 CviLux Corporation
③				DRAWN BY: Hank	10/9-14'	TOLERANCE UNLESS OTHERWISE SPECIFIED .X ± 0.25/.010 X' ± 1" .XX ± 0.15/.006 .X' ± .XXX ± 0.10/.004 .XX' ±	MATERIAL:	
②				ENGINEER: Clark	10/9-14'		FINISH:	
①				CHECKED BY: Eisley	10/9-14'		DRAWING NO. CID101S2	
SYM	NAME	DATE	REVISIONS	APPROVED BY: Eisley	10/9-14'	SCALE 5 / 1	SHEET 1 OF 2	



NOTES:

1. 10 sprocket hole pitch cumulative tolerance ± 0.20
2. Carrier camber is within 1 mm in 250 mm.
3. Material : Black, Polystyrene alloy
4. All dimensions meet EIA-481-B requirements.
5. Thickness : 0.40 ± 0.05 mm.
6. Packing length per 22" Reel : 40.6 Meters.
7. Component load per 13" Reel : 1P:1600 pcs. 2P:1100 pcs. 3P:800 pcs.

Circuits	Dimension					Packing (Reel/Caton)
	E	F	W1	W2	W3	
1~3	24.0(.945)	—	24.5(.965)	30.5(1.200)	24.5(.965)	9



WIDTH : 24 mm Carrier

RoHS Compliant

4					DATE	UNIT: mm / inch	TITLE: 4.00mm Side entry SMT Type Connector	 瀚荃股份有限公司 CviLux Corporation	
3				DRAWN BY: Hank	10/9-14'	TOLERANCE UNLESS OTHERWISE SPECIFIED			MATERIAL:
2				ENGINEER: Clark	10/9-14'	.X ±	X' ± 1'		
1				CHECKED BY: Eisley	10/9-14'	.XX ±	.X' ±		FINISH:
SYM	NAME	DATE		APPROVED BY: Eisley	10/9-14'	.XXX ±	.XX' ±		
REVISIONS						DRAWING NO. CID101S2	PART NO. CID1**M1HR0-NH	SCALE	SHEET 2 OF 2