

Datasheet

MicroSD Card

3ME series

- SD 3.0 interface
- Support Class 10 with UHS-I
- Adopt MLC NAND flash
- Supports SD/SPI mode
- Flexible ECC engine
- Dynamic Data refresh
- Targeted for portable and stationary applications



Introduction

Innodisk MicroSD 3ME series, supporting class 10 with UHS-I (Except 8GB), are specifically designed for industrial PC and embedded applications. The 3.0 series SD card has latest firmware architecture and Flash algorithms, including superior wear leveling, and read disturb management ensuring highest reliability and endurance.

Innodisk MicroSD 3ME series provide wide range capacities from 8GB to 64GB with excellent quality MLC NAND Flash, and fully compliant to SD3.0, and SD2.0 specifications.

With its low power consumption and features above, Innodisk MicroSD 3ME series can be applied on industrial automation, SBC (single-board computer), medical equipment, infotainment, and mobile application.

MicroSD Card

3ME series

Contact us for more information about the MicroSD 3ME series.

Innodisk is a service-driven provider of industrial embedded flash storage products and technologies, with a focus on the cloud computing, industrial/embedded, and aerospace and defense industries.

Headquarters (Taiwan)

5F., No. 237, Sec. 1, Datong Rd., Xizhi Dist., New Taipei City 221, Taiwan

Tel: +886-2-77033000

Email: sales@innodisk.com

Branch Offices:

USA

usasales@innodisk.com

+1-510-770-9421

Europe

eusales@innodisk.com

+31-(0)40-282-1818

Japan

jpsales@innodisk.com

+81-45-594-7581

China

sales_cn@innodisk.com

+86-755-21673689

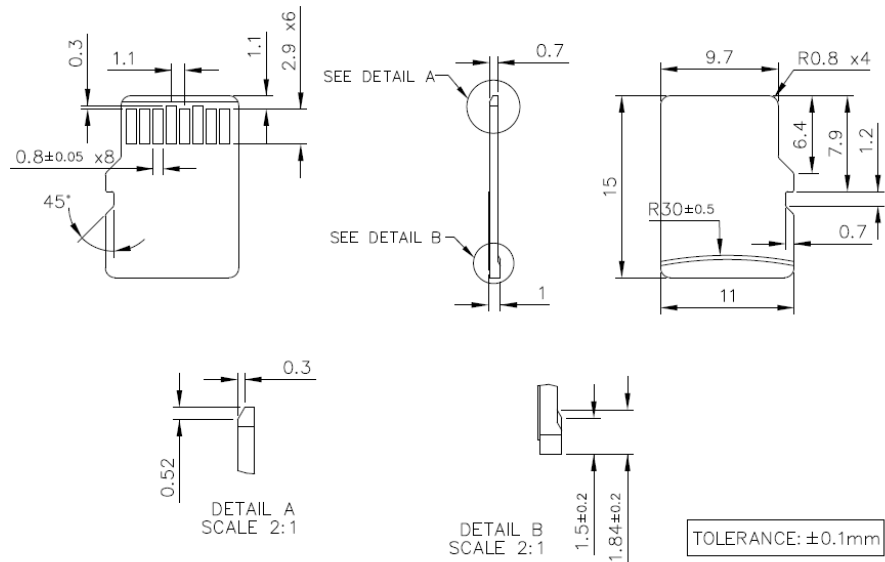
www.innodisk.com

© 2015 Innodisk Corporation.

All right reserved. Specifications are subject to change without prior notice.

2015.10.6

Diagram



Specifications

| | |
|-------------------------------|---|
| Interface | SD 3.0 |
| Flash Type | MLC |
| Capacity | 8GB~64GB |
| Max. Channels | 1 |
| Sequential R/W (MB/sec, max.) | 44/34 |
| Max. Power Consumption | 0.4W (3.3V x 125mA) |
| Thermal Sensor | - |
| Extended DRAM buffer | - |
| H/W Write Protect | - |
| ATA Security | - |
| S.M.A.R.T. | - |
| Dimension (WxLxH) | 11.0 X 15.0 X 1.0 mm |
| Environment | Vibration: 20G @7~2000Hz Shock: 1500G @ 0.5ms Storage Temperature: -40°C ~ +85°C MTBF: 3 million hours |

Ordering Information

| Operation Temp. | 8GB | 16GB | 32GB | 64GB |
|--------------------------------|-------------------|-------------------|-------------------|-------------------|
| Standard Grade (-25°C ~ +85°C) | DESDM-08GS27SEASN | DESDM-16GS27SEASN | DESDM-32GS27SEASN | DESDM-64GS27SEASN |

innodisk

www.innodisk.com