

Datasheet

Industrial SD Card

SD 3.0 series

- SD 3.0 interface
- Supports SD/SPI mode
- Power fail Management
- Redundant firmware
- Flexible ECC engine
- Dynamic Data refresh
- Customizable



Introduction

Innodisk industrial SD card 3.0 series are specifically designed for industrial PC and embedded applications. The 3.0 series SD card has latest firmware architecture and Flash algorithms, including superior wear leveling, read disturb management, and power fail management ensuring highest reliability and endurance.

Innodisk industrial SD card 3.0 series provide wide range capacities from 128MB to 32GB within SLC NAND Flash, and 4GB to 64GB within MLC NAND Flash, and fully compliant to SD3.0, and SD2.0 specifications.

With its low power consumption and features above, Innodisk industrial SD card 3.0 series can be applied on industrial automation, SBC (single-board computer), medical equipment, infotainment, and mobile application.

Industrial SD Card

SD 3.0 series

Contact us for more information about the Industrial SD Card SD 3.0.

Innodisk is a service-driven provider of industrial embedded flash storage products and technologies, with a focus on the cloud computing, industrial/embedded, and aerospace and defense industries.

Headquarters (Taiwan)

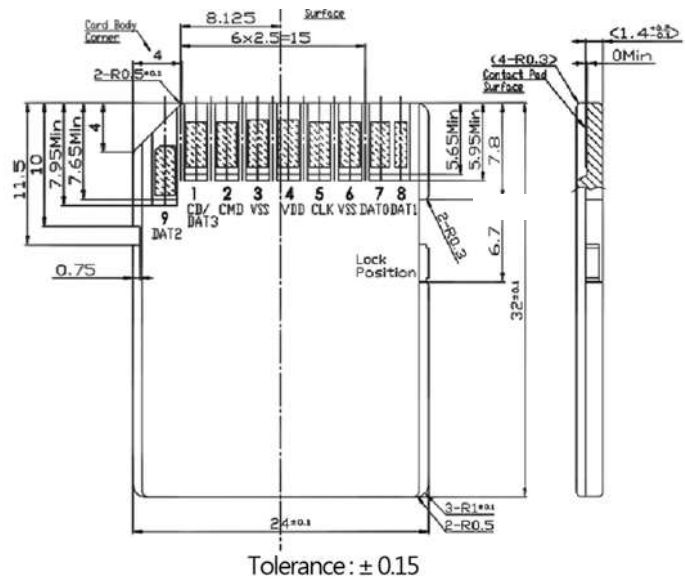
5F., No. 237, Sec. 1, Datong Rd.,
Xizhi Dist., New Taipei City 221,
Taiwan
Tel: +886-2-77033000
Email: sales@innodisk.com

Branch Offices:

USA
usasales@innodisk.com
+1-510-770-9421
Europe
eusales@innodisk.com
+31-(0)40-282-1818
Japan
jpsales@innodisk.com
+81-45-594-7581
China
sales_cn@innodisk.com
+86-755-21673689
www.innodisk.com

© 2015 Innodisk Corporation.
All right reserved. Specifications
are subject to change without
prior notice.

Diagram



Specifications

Interface	SD 3.0
Flash Type	SLC
Capacity	128MB~32GB
Max. Channels	1
Sequential R/W (MB/sec, max.)	23/21
Max. Power Consumption	0.22W (3.3V x 69mA)
Thermal Sensor	-
Extended DRAM buffer	-
H/W Write Protect	√
ATA Security	-
S.M.A.R.T.	-
Dimension (WxLxH)	24 X 32.0 X 2.1 mm
Environment	Vibration: 20G @7~2000Hz Shock: 1500G @ 0.5ms Storage Temperature: -55°C ~ +95°C MTBF: 3 million hours

20150728

Ordering Information

Operation Temp.	128MB	256MB	512MB	01GB	02GB	04GB	08GB	16GB	32GB
Standard Grade (-20°C ~ +85°C)	DESDC-128Y81AC2SB	DESDC-256Y81AC2SB	DESDC-512Y81AC2SB	DESDC-01GY81AC2SB	DESDC-02GY81AC2SB	DESDC-04GY81AC2SB	DESDC-08GY81AC2SB	DESDC-16GY81AC2SB	DESDC-32GY81AC2SB
Industrial Grade (-40°C ~ +85°C)	DESDC-128Y81AW2SB	DESDC-256Y81AW2SB	DESDC-512Y81AW2SB	DESDC-01GY81AW2SB	DESDC-02GY81AW2SB	DESDC-04GY81AW2SB	DESDC-08GY81AW2SB	DESDC-16GY81AW2SB	DESDC-32GY81AW2SB



www.innodisk.com