

15

14

13

12

11

10

9

8

7

6

5

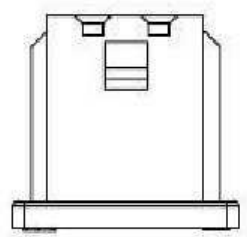
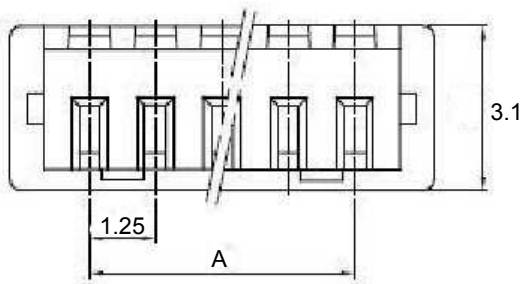
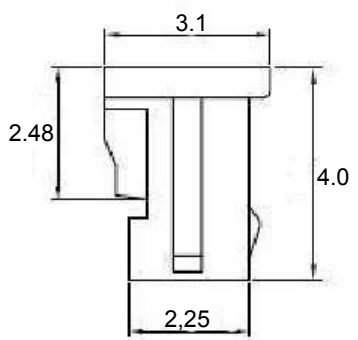
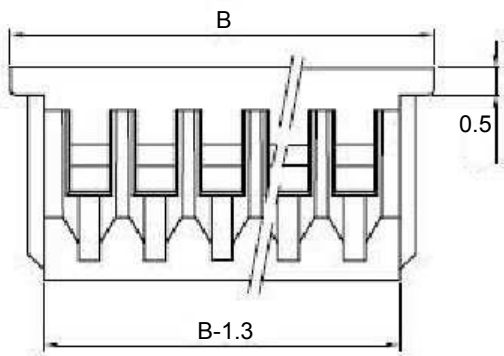
4

3

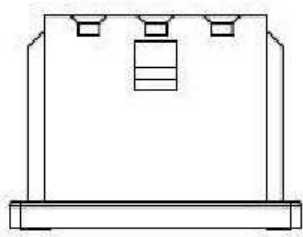
2

1

REV	DESCRIPTION	DATE
P0		E
P1		

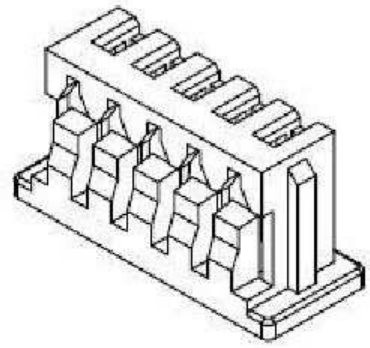


2P



3P

Poles	Dimensions mm	
	A	B
2	1.25	4.25
3	2.50	5.50
4	3.75	6.75
5	5.00	8.00
6	6.25	9.25
7	7.50	10.50
8	8.75	11.75
9	10.00	13.00
10	11.25	14.25
11	12.50	15.50
12	13.75	16.75
13	15.00	18.00
14	16.25	19.25
15	17.50	20.50
16	18.75	21.75
—	—	—
25	30.00	33.00



1		Housing	PA66(UL94V-0/V-2)	1	White
Conntherm					
X.* ±3° X.X* ±0.5°					
>0-3	>3-18	>18-50		Design Units	SIZE 页码
±0.12	±0.15	±0.3	MM Only	METRIC	A4
					Part No
HNxx-CT					

15

14

13

12

11

10

9

8

7

6

5

4

3

2

1