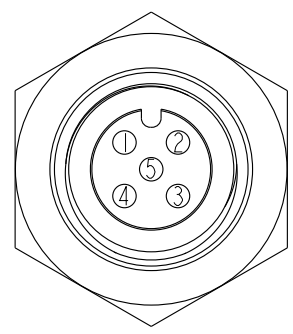
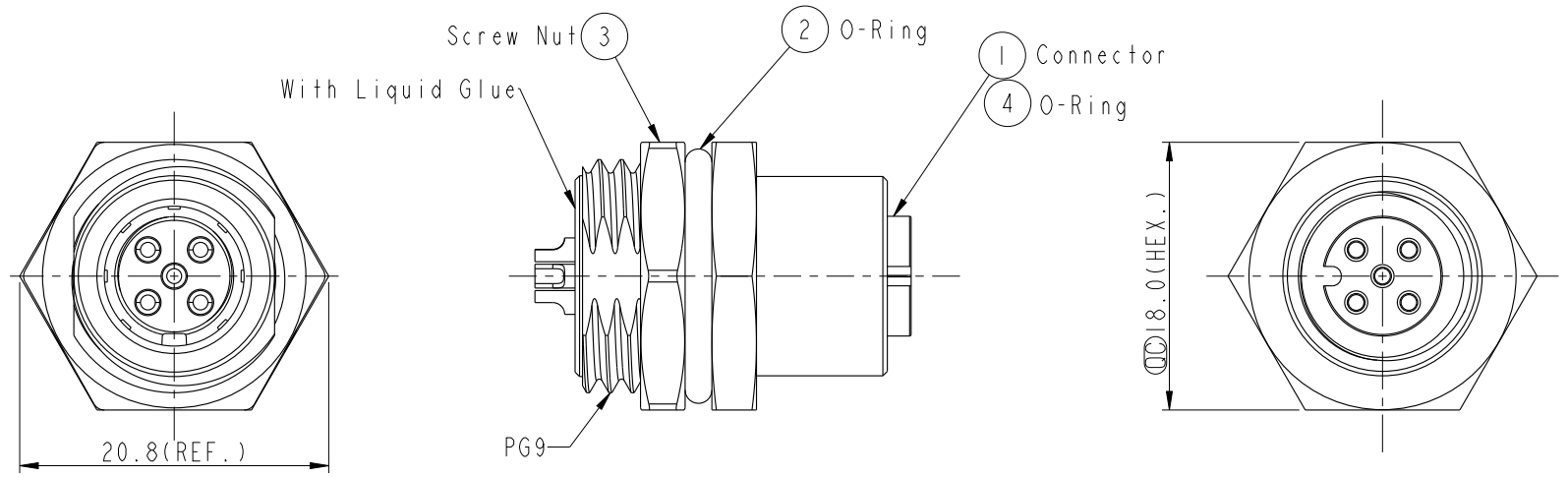
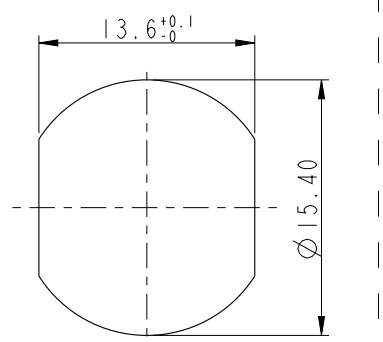


THIS DOCUMENT IS SUBJECT TO CHANGE WITHOUT NOTICE. IT IS CONFIDENTIAL AND A PROPERTY OF AMPHENOL LTW. DISCLOSURE TO THIRD PARTY HAS TO BE AUTHORIZED BY AMPHENOL LTW.

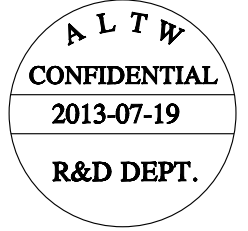
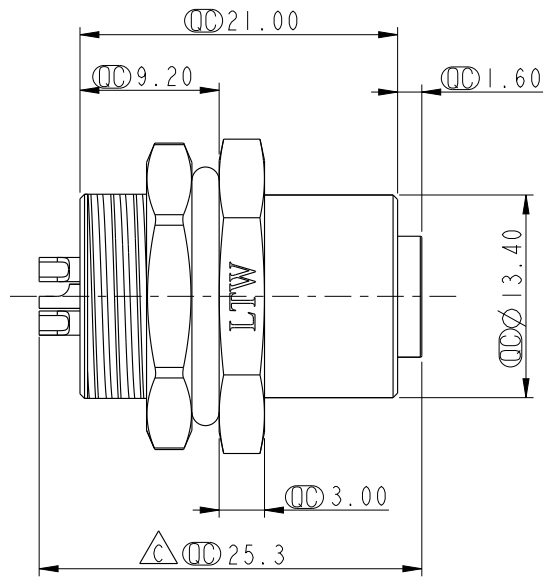
REV.	ECN NO.	DATE	SIGN	DESCRIPTION
B	LEN-7A0008	2007/01/10	Zeus	Added Note
C	LEN1370286	2013/07/19	Rensong	chang demension 25.2 to 25.3



Pin Assignment
Front View



Recommended Panel Cut-Out



- Note:
- * \varnothing Important Dimension.
 - * Waterproof Rate: IP68
 - * Housing: Black, Nylon+GF
 - * Pin: Copper Alloy, Gold Plated
 - * Shield: Zinc Alloy, Nickel Plated
 - * Nut: Zinc Alloy, Nickel Plated
 - * O-Ring: Black, EPDM
 - * For Panel Thickness Max 4.5mm
 - * Nut Torque: 4-6 kgf.cm

UNIT:mm		
TOLERANCE		
.X	±0.25	
.XX	±0.1	
.XXX	±0.05	
ANGLES	±1°	

TITLE M12 Conn Panel Screw 5Pin F Conn F Pin			
SCALE 2:1	SIZE A4	SHEET 1 OF 1	
REV. C	WC-REV. B.1	\varnothing : Inspection item	

Amphenol LTW
安費諾亮泰企業股份有限公司

ITEM NO. 12-05PFFS-SH8001	DRAWN BY Lin_rensong	DATE 2013-07-19
DWG NO. 12-05PFFS-SH8001	CHECKED BY Tony	DATE 2013-07-19
CUSTOMER ALTW	APPROVED BY Maslow	DATE 2013-07-19