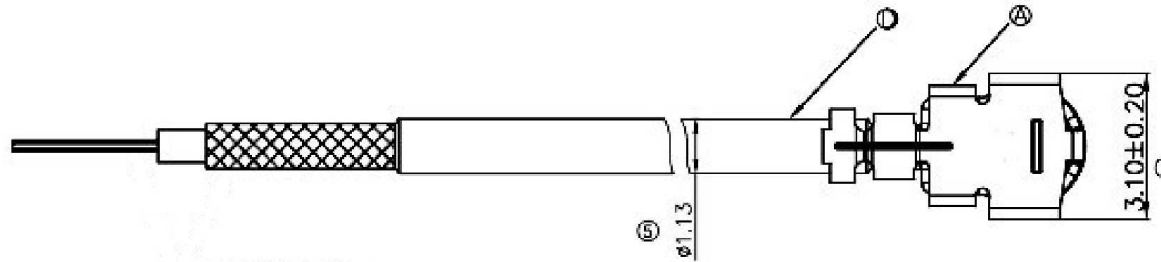
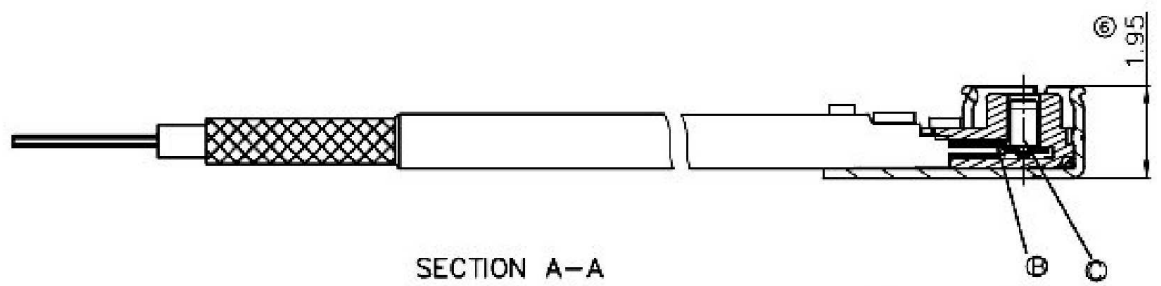
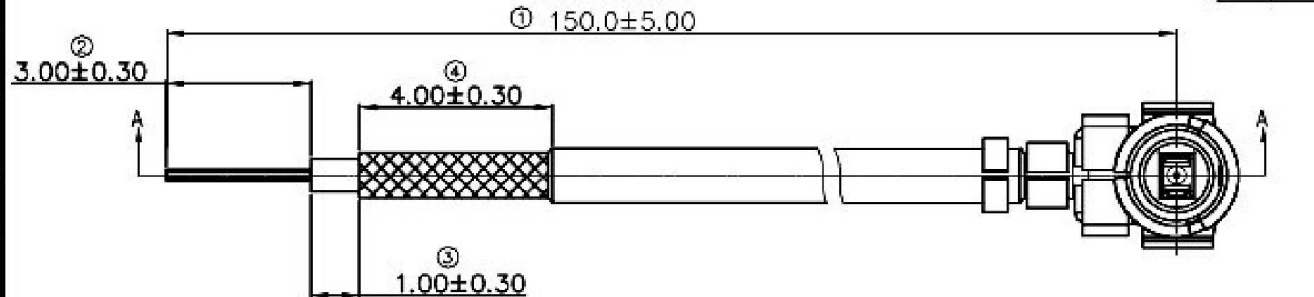


Rev.	Description	Date	Drawn	Checked	Approved
X1					
X2					
X3					



- Note:
- Technology Parameter
 - Voltage Rating: 60VAC (R.M.S)
 - Frequency Range: 0~6G Hz
 - Nominal Characteristic Impedance: 50 ohms
 - Operating Temperature Range: -40℃~+85℃
 - Operating Humidity: 95%R.H.MAX
 - Electric Performance
 - Insulation Resistance: 500M ohms
 - Contact Resistance
 - Inner Contact: 25 mohms Max.
 - Outer Contact: 15 mohms Max.
 - Withstand Voltage: 200V AC 1 Min
 - VSWR*: ≤ 1.4 @ 0~6.0GHz
 - Mechanism Performance
 - Durability: 30 Cycles
 - All the material followed the ROHS standard.

ITEM	PART NO.	Q'TY	DESCRIPTION	MATERIAL/FINISH
①		1	CABLE(ø1.13,Colour: gray)	COPPER/Tin PLATED OVER INNER
②		1	CONTACT	COPPER ALLOY/Au PLATED OVER Ni
③		1	HOUSING	High Temp.Plastic UL94V-0/BLACK
④		1	SHELL	COPPER ALLOY/Au PLATED OVER Ni
BOM LIST				

CONNTERM

GSM-IPX

CONNTHERM	Product Specification	DOC. No.: 651-0089-01	Rev.: D	Page: 1/10
	USS RF I plug Connector series	Approved/Date	Check/Date	Design/date
		SAM 11/11-11'	Kenny 11/11-11'	LEI 11/11-11'

1. Application

This style products are designed for Mobile phones, Wireless LAN, Mini-PCI, Bluetooth, PDA, GPS, electronic measuring instruments, etc
LAN, Mini-PCI ,PDA, GPS

2.Scope:

This specification covers the requirements for product performance, test methods and quality assurance provisions of USS RF Cable I Connectors.

3. Technology Parameters

3.1 Voltage Rating	60VAC (R.M.S)
3.2 Frequency Range	DC~6G Hz
3.3 Nominal Characteristic Impedance	50±5 ohm
3.4 Operating Temperature Range	-40℃~+85℃
3.5 Operating Humidity	95% R.H.MAX

4. Ratings

4.1 Insulation Resistance	500 M Ohm
4.2 Contact Resistance	
4.2.1 Inner Contact	20 m ohm Max.
4.2.2 Outer Contact	20 m ohm Max.
4.3 Withstand Voltage	200V AC 1 Min.
4.4 V .S .W. R*	

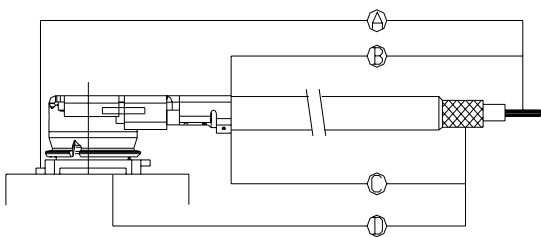
Specification	DC~3GHz	3~6GHz	Cable length
DIA=1.13mm Coaxial Cable Assembly	1.6 max	1.8 max	25~1000 mm

4.5 Cable

ITEM		Unit	Details
Inner Conductor	Material	-	Silver Plated copper
	Composition	No/mm	7 X 0.08
	Nominal O.D.	mm	0.24
Dielectric Core	Material	-	Extruded FEP
	Nominal O.D.	mm	0.68
	Color	-	Natural
Outer Conductor	Material	-	Tin-coated Copper Wire
	Composition	-	16/4/0.05
	Nominal O.D.	mm	0.95
Outer Jacket	Material	-	Extruded FEP
	Outer diameter	mm	1.13±0.05
	Color	-	Black/White/Gray/Blue

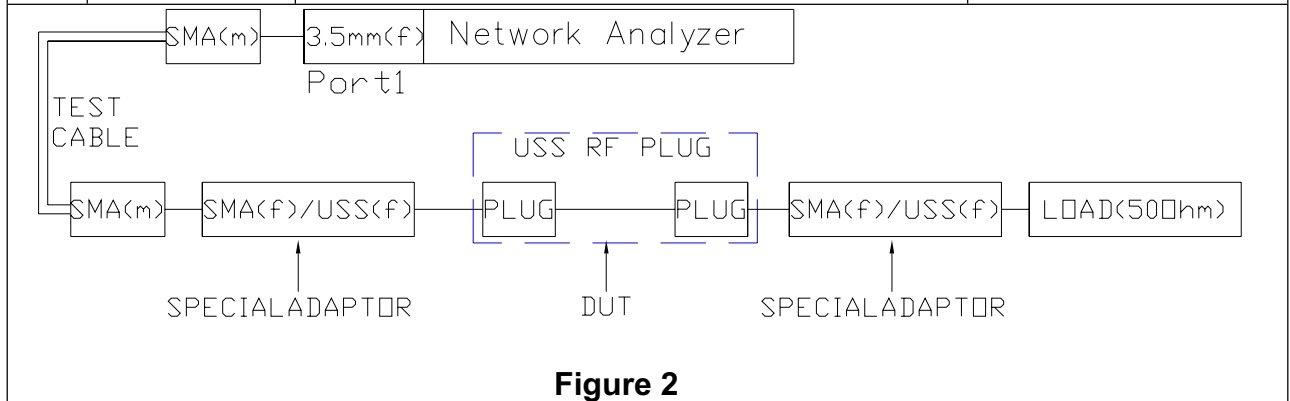
CONNTHERM	Product Specification	DOC. No.: 651-0089-01	Rev.: D	Page: 2/10
	USS RF I plug Connector series	Approved/Date	Check/Date	Design/date
		SAM 11/11-11'	Kenny 11/11-11'	LEI 11/11-11'

5. Electrical Performance

No	Items	Test Condition	Specifications
5.1	Contact Resistance	(EIA 364-23) Solder the receptacle connector to the test board and mate the plug connector together, then measure the contact resistance as shown in figure 1 by the four terminal method.	Inner contact: Initial: 20mΩ MAX After: 25mΩ MAX Ground contact Initial: 20mΩ MAX After: 25mΩ MAX
		Open circuit voltage: 20mV MAX Circuit current: 10mA MAX  <p style="text-align: center;">Figure 1</p>	Inner Contact A - B Ground Contact D - C
5.2	Insulation Resistance	Mate the plug and receptacle connector together, and then, apply DC 100 V Voltage between the inner contact and the ground contact in accordance with EIA 364-21	Initial: 500 MΩ MIN After (: 100 MΩ MIN
5.3	Dielectric withstanding voltage	Mate the plug and receptacle connector together, and then apply AC 200 V between the inner contact and the ground contact in accordance with EIA 364-20	No flashover, No sparkover, No excess leakage, No breakdown

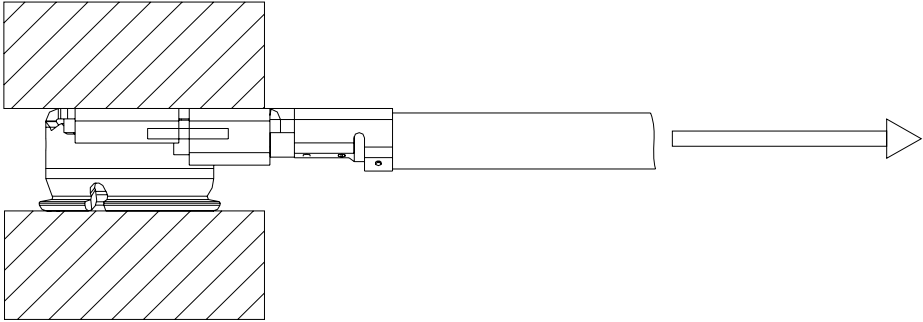
CONNTHERM	Product Specification	DOC. No.: 651-0089-01	Rev.: D	Page: 3/10
	USS RF I plug	Approved/Date	Check/Date	Design/date
	Connector series	SAM 11/11-11'	Kenny 11/11-11'	LEI 11/11-11'

No	Item	Test Condition	Specifications
5.4	V.S.W.R	<p>Measure the V.S.W.R as shown in figure 2 by the network analyzer Frequency: 0~6GHz</p> <p>Note: 1. Cable type connectors were measured with SMA conversion adapters attached to both ends of the harness product of a suitable 100mm cable.</p>	<p>DC~3GHz: 1.6MAX 3~6GHz: 1.8MAX</p>



6. Mechanical Performance

No	Items	Test Condition	Specifications
6.1	Un-mating Force	Solder the receptacle connector to the test board and mate the plug connector, then measure the un-mating force at speed 25 ± 3 mm/minutes along by the push-push machine	<p>1.Initial: 5N MIN</p> <p>2.After 30 Cycle: 3N MIN</p>
No	Items	Test Condition	Specifications

CONNTHERM		Product Specification		DOC. No.: 651-0089-01	Rev.: D	Page: 4/10	
		USS RF I plug Connector series		Approved/Date	Check/Date	Design/date	
				SAM 11/11-11'	Kenny 11/11-11'	LEI 11/11-11'	
6.2	Crimp strength	Pull the cable as shown in Figure 3 at speed of 25 ± 3 mm/minute through tensile strength machine.				10N MIN	
							
		Figure 3					
6.3	Durability	Mate and un-mate the receptacle connector(soldered to the test board) and plug connector 30 cycles at the speed of 25 ± 3 mm/minutes along the mating direction by the push-push machine				Appearance: No abnormality Contact Resistance: Shall meet 5.5.1	
6.4	Cable retention force	After the connectors are mating, do not apply a load to the cable in excess of the values indicated in the diagram below.				No electrical discontinuity grater than $1 \mu s$ shall occur	

CONNTHERM	Product Specification	DOC. No.: 651-0089-01	Rev.: D	Page: 5/10
	USS RF I plug Connector series	Approved/Date	Check/Date	Design/date
		SAM 11/11-11'	Kenny 11/11-11'	LEI 11/11-11'

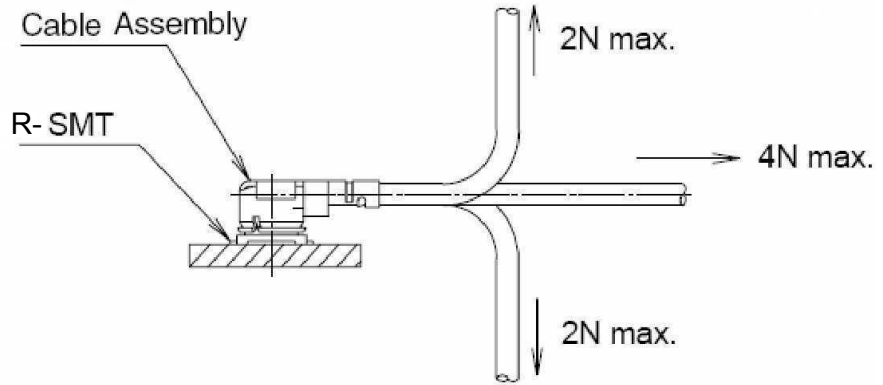


Figure 4

6.5

Vibration

Apply the following vibration to the mating connector.

During the testing, run 100mA DC to check electrical discontinuity.

Frequency: 10Hz → 100Hz → 10Hz / approx 20 minutes.

Half amplitude, Peak value of acceleration: 1.5mm or 59m/s² (6G)

Directions, cycle: 3 mutually perpendicular direction,

3 cycles about each direction

Appearance: No abnormality
Contact Resistance: Shall meet 5.5.1
No discontinuities of 1 μs or longer duration

CONNTHERM	Product Specification		DOC. No.: 651-0089-01	Rev.: D	Page: 6/10
	USS RF I plug Connector series		Approved/Date	Check/Date	Design/date
			SAM 11/11-11'	Kenny 11/11-11'	LEI 11/11-11'

6.6	Shock	<p>EIA 364-27 Condition A The object of this test procedure is to detail a standard method to assess the ability of a connector to withstand specified severity of mechanical shock.</p> <p>Peak value of acceleration: 735m/s² (75G) Duration : 11ms Wave form : half sinusoidal Directions, cycle : 6 mutually perpendicular direction, 3 cycles about each direction</p>	<p>Appearance: No abnormality Contact Resistance: Shall meet 5.5.1 No discontinuities of 1 μs or longer duration</p>
-----	-------	--	--

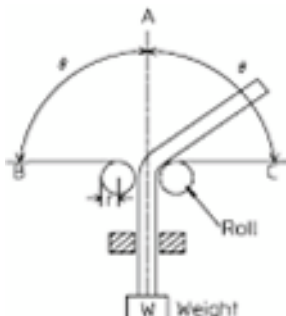
7. Environmental Performance

No	Items	Test Condition	Specifications
7.1	Humidity	<p>Apply the following environment to the mating connector in accordance with EIA 364-31 Method III Test Condition B Temperature : 25~65°C Humidity : 90~95%R.H Duration: 96 hours</p>	<p>Appearance: No abnormality Contact Resistance: Shall meet 5.5.1 Insulation Resistance: Shall meet 5.5.2 Dielectric withstanding voltage Shall meet 5.5.3</p>
7.2	Thermal Shock	<p>Apply the following environment to the mating connector in accordance with EIA 364-32 Test Condition I Temperature : -55~85°C Transition time: : 5min. MAX Cycles: 5 Cycles</p>	<p>Appearance: No abnormality Contact Resistance: Shall meet 5.5.1 Insulation Resistance: Shall meet 5.5.2</p>

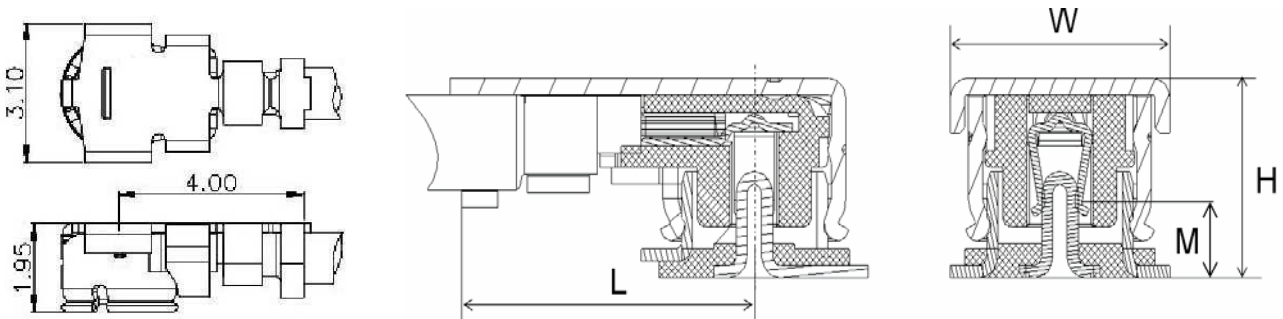
CONNTHERM		Product Specification		DOC. No.: 651-0089-01	Rev.: D	Page: 7/10
		USS RF I plug Connector series		Approved/Date	Check/Date	Design/date
				SAM 11/11-11'	Kenny 11/11-11'	LEI 11/11-11'
						Dielectric withstanding voltage Shall meet 5.5.3
7.3	High Temperature Life	Apply the following environment to the mating connector Temperature : $90 \pm 2^{\circ}\text{C}$ Duration : 96 hours				Appearance: No abnormality Contact Resistance: Shall meet 5.5.1 Insulation Resistance: Shall meet 5.5.2
7.4	Salt Spray	EIA 364-26 Test Condition A Apply the following environment to the mating connector Temperature : $35 \pm 2^{\circ}\text{C}$ Relative Humidity : 90~98%R.H Salt water density: $5 \pm 1\%$ Duration : 48 hours				Appearance: No abnormality Contact Resistance: Shall meet 5.5.1

CONNTHERM	Product Specification	DOC. No.: 651-0089-01	Rev.: D	Page: 8/10
	USS RF I plug Connector series	Approved/Date	Check/Date	Design/date
		SAM 11/11-11'	Kenny 11/11-11'	LEI 11/11-11'

8.Others

No	Items	Test Condition	Specifications
8.1	90° Bending Test.	<p>Make the cable assembly with 1kg load connected in the end stayed in the horizontal station by the bend testing tool, Then, let it free fall ride and stayed in the final position for one minute. finally, repeat the above-mentioned steps for 10cycles ,then having a open&short test. Pls see the following figure 5 for details.</p>  <p style="text-align: center;">FIGURE 5</p>	<p>Appearance: No abnormality</p> <p>Open&Short Requirement: Short</p>

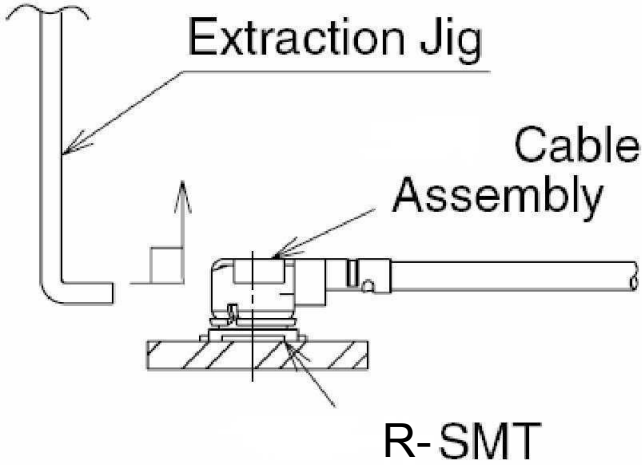
9. Plug Specification



Mati Dime sio mm				
Item	L	H	W	M
DIA=1.13mm Coaxial Cable Assembly	4.00±0.2	2.50±0.1	3.1±0.2	0.9±0.20

CONNTHERM	Product Specification	DOC. No.: 651-0089-01	Rev.: D	Page: 9/10
	USS RF I plug Connector series	Approved/Date	Check/Date	Design/date
		SAM 11/11-11'	Kenny 11/11-11'	LEI 11/11-11'

10. Usage Precaution

No	Items	Test Condition	Specifications
10.1	(1) Connection/ disconnection of connectors	<p>1).To disconnect connectors, insert the end portion of ECT Extraction jig under the connector flanges and pull off vertically, in the direction of the connector mating axis</p> <p>2).To mate the connectors, the mating axis of both connectors must be aligned and the connectors can be mated. The "click" will confirm fully mated connection. Do not attempt to insert on an extreme angle.</p>	
 <p>Figure 6</p>			
10.2	Precautions	Do NOT forcefully twist or deform wires.	
10.3	Stockpile condition	Use this product within 6 months after receipt	