

电气特性:

1. 额定电压: 125 VAC RMS
2. 额定电流: 1.5 AMP
3. 接触电阻: 20 mΩ MAX.
4. 绝缘电阻: 1000 MΩ MIN. @500 VDC
5. 耐压强度: 1000 V AC 或 1500V DC RMS @ 0.5mA 50 Hz 或 60 Hz 一分钟

机构特性:

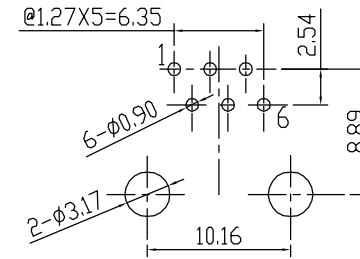
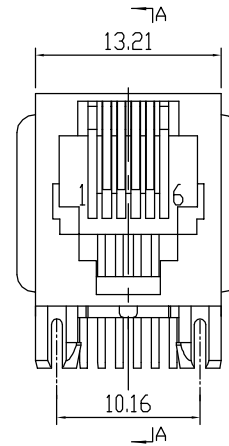
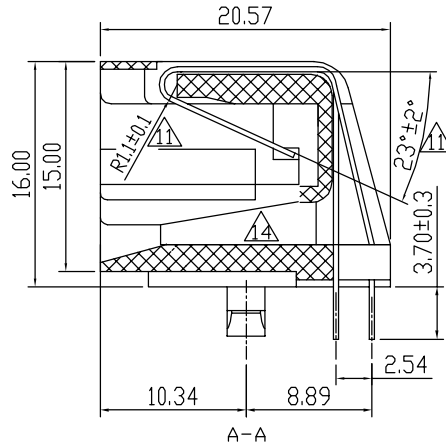
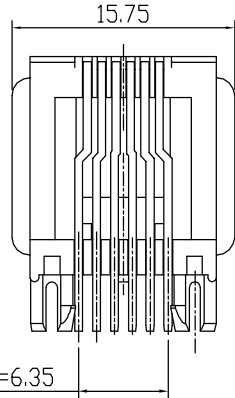
1. 塑壳材质: PBT或PA46黑色, UL94V-0;
2. 扁针材质: 磷青铜, 厚度0.35mm;
3. 扁针电镀: 接触区镀金(见料号表格), 镍底, 剥头电镀雾锡;
4. 可靠性: 最少750次插拔;
5. 插入/拔出力: 30N Max.
6. 配合强度: 50N 60S±5S Min.

环境特性:

1. 储存温度: -40℃~+85℃
相对湿度<80%
2. 工作温度: -40℃~+85℃

04版变更说明: 修改图纸与实物相符, 依据《品质异常通知单》, 单号: QAZS09022

REV. 版本	ECN NO. 变更说明	DATE 日期
01-12	ADD P/N	11.10.14
11	新增金?成型角度, R角尺寸 ADD P/N	11.10.10
13	新增接地脚规格	11.11.08
14	EC12041701	12.05.15
15	ADD P/N	12.07.26



PCB LAYOUT THICKNESS=1.6mm
COMPONENT SIDE
TOLERANCE ±0.05

NOTES:

ELECTRICAL:

1. VOLTAGE RATING : 125 VAC RMS.
2. CURRENT RATING : 1.5 AMP.
3. CONTACT RESISTANCE : 20 MILLIOHMS MAX.
4. INSULATION RESISTANCE : 1000 MEGOHMS MIN @ 500 VDC
5. DIELECTRIC STRENGTH : 1000 V AC OR 1500V DC RMS @ 0.5mA 50 Hz / 60 Hz 1 Minute

MECHANICAL:

1. HOUSING MATERIAL : PBT OR PA46 UL94V-0. COLOR BLACK
2. CONTACT MATERIAL : PHOSPHOR BRONZE T=0.35mm.
3. PLATING : 1: CONTACT AREA- SELECTIVE GOLD PLATING.
2: TAILS PLATING TIN OVER NICKEL.
4. OPERATING LIFE : 750 CYCLES MIN.
5. MATING/UNMATING FORCE: : 30N Max.
6. RETENTION STRENGTH: : 50N 60S±5S

ENVIRONMENTAL:

1. STORAGE : -40°C TO +85°C RELATIVE HUMIDITY<80%.
 2. OPERATION : -40°C TO +85°C.
- MATES WITH MODULAR PLUG CONFORMING TO FCC PART 68, SUBPART F.

RoHS Compliant

5721 有耳插座

CZT ® 温州意华接插件股份有限公司 WENZHOU YIHUA CONNECTOR CO., LTD		TOLERANCES 公差 .0 ± 0.25 .00 ± 0.20 .000 ± 0.10		Material: 材质	SEE NOTE	Designed: 设计	廖永生	NAME: 名称	RJ11 1X1 5721 6P JACK (WITH EAR)
第一视角		SCALE 比例	UNIT 单位	CUSTOMER: 客户	N/A	Checked: 审核		DWG NO: 图号	E57QWY-1080-10
A4 SIZE		1:1	mm	MODEL NO: 料号	N/A	Approved: 核准		PART NO: 料号	SEE TABLE
ANGLES ± 0.5				SHEET 1 OF 2 第 1 页 共 2 页				REV. 版本	15

REV. 版本	ECN NO. 变更说明	DATE 日期
01-12	ADD P/N	11.10.14
11	新增金?角度尺寸 ADD P/N	11.10.10
13	删除规格	11.11.08
14	EC12041701	12.05.15
15	ADD P/N	12.07.26

ROHS PART NUMBER:

ROHS PART NUMBER	DESCRIPTION	CONTACT PALTING GOLD	HOUSING MATERIAL
B571N-64GF-M003	RJ11 1X1 5721 6P4C(2.3.4.5) JACK (WITH EAR)	G/F	PBT BLACK
B571N-6603-M003	RJ11 1X1 5721 6P6C JACK (WITH EAR)	3U	PBT BLACK
B571N-6430-M003	RJ11 1X1 5721 6P4C(2.3.4.5) JACK (WITH EAR)	30U	PBT BLACK
B571N-6630-M003	RJ11 1X1 5721 6P6C JACK (WITH EAR)	30U	PBT BLACK
B571N-66GF-M006	RJ11 1X1 5721 6P6C JACK (WITH EAR)	G/F	PBT BLACK
B571N-6650-R001	RJ11 1X1 5721 6P6C JACK (WITH EAR)	50U	PA46 BLACK
△ B571N-6606-M003	RJ11 1X1 5721 6P6C JACK (WITH EAR)	6U	PBT BLACK
△ B571N-6615-M003	RJ11 1X1 5721 6P6C JACK (WITH EAR)	15U	PBT BLACK
△ B571N-6650-M003	RJ11 1X1 5721 6P6C JACK (WITH EAR)	50U	PBT BLACK
△ B571N-62GF-M004	RJ11 1X1 5721 6P2C(3,4) JACK (WITH EAR)	G/F	PBT BLACK
△ B571N-6406-M003	RJ11 1X1 5721 6P4C(2.3.4.5) JACK (WITH EAR)	6U	PBT BLACK
△ B571N-6206-M001	RJ11 1X1 5721 6P2C(3,4) JACK (WITH EAR)	6U	PBT BLACK
△ B571N-6203-M001	RJ11 1X1 5721 6P2C(3,4) JACK (WITH EAR)	3U	PBT BLACK
△ B571N-6450-M003	RJ11 1X1 5721 6P4C JACK (WITH EAR)	50U	PBT BLACK
△ B571N-6415-M003	RJ11 1X1 5721 6P4C JACK (WITH EAR)	15U	PBT BLACK
△ B571N-6403-M003	RJ11 1X1 5721 6P4C JACK (WITH EAR)	3U	PBT BLACK
△ B571N-66GF-M003	RJ11 1X1 5721 6P6C JACK (WITH EAR)	G/F	PBT BLACK

RoHS Compliant

5721 有耳插座

CZT 温州意华接插件股份有限公司 WENZHOU YIHUA CONNECTOR CO., LTD				TOLERANCES 公差 .0 ± 0.25 .00 ± 0.20 .000 ± 0.10	Material: 材质 SEE NOTE	Designed: 设计 廖永生	NAME: 名称 RJ11 1X1 5721 6P JACK (WITH EAR)
第一视角	A4 SIZE	SCALE 比例 1:1	UNIT 单位 mm	CUSTOMER: 客户 N/A	Finish: 电镀 SEE NOTE	Checked: 审核	DWG NO: 图号 E57QWY-1080-10
				MODEL NO: 料号 N/A	ANGLES ± 0.5	SHEET 2 OF 3 第 2 页 共 3 页	Approved: 核准
							PART NO: 料号 SEE TABLE
							REV. 版本 15

电气特性:

1. 额定电压: 125 VAC RMS
2. 额定电流: 1.5 AMP
3. 接触电阻: 20 mΩ MAX.
4. 绝缘电阻: 1000 MΩ MIN. @500 VDC
5. 耐压强度: 1000 V AC 或 1500V DC RMS @ 0.5mA 50 Hz 或 60 Hz 一分钟

机构特性:

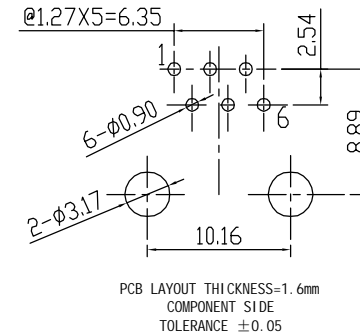
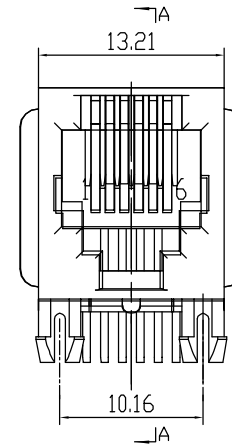
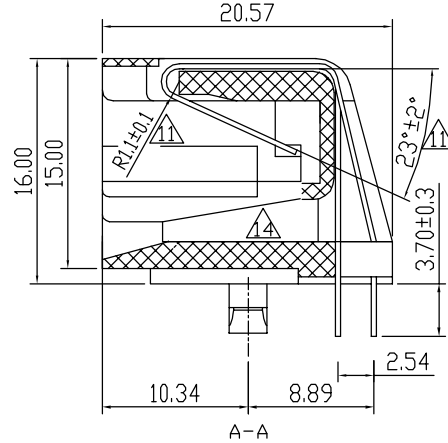
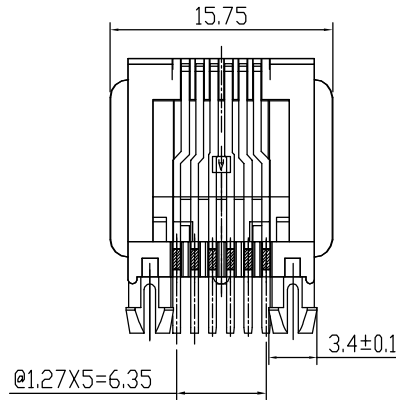
1. 塑壳材质: PBT, UL94V-0;
2. 扁针材质: 磷青铜, 厚度0.35mm;
3. 扁针电镀: 接触区镀金 (见料号表格), 镍底, 剥头电镀雾锡;
4. 可靠性: 最少750次插拔;
5. 插入/拔出力: 30N Max.
6. 配合强度: 50N 60S±5S Min.

环境特性:

1. 储存温度: -40℃~+85℃
相对湿度<80%
2. 工作温度: -40℃~+85℃

04版变更说明: 修改图纸与实物相符, 依据《品质异常通知单》, 单号: QAZS09022

REV. 版本	ECN NO. 变更说明	DATE 日期
13	新增及调整规格	11.11.08
14	EC12041701	12.05.15
15	ADD P/N	12.07.26



NOTES:

ELECTRICAL:

1. VOLTAGE RATING : 125 VAC RMS.
2. CURRENT RATING : 1.5 AMP.
3. CONTACT RESISTANCE : 20 MILLIOHMS MAX.
4. INSULATION RESISTANCE : 1000 MEGOHMS MIN @ 500 VDC
5. DIELECTRIC STRENGTH : 1000 V AC OR 1500V DC RMS @ 0.5mA 50 Hz / 60 Hz 1 Minute

MECHANICAL:

1. HOUSING MATERIAL : PBT UL94V-0. COLOR BLACK
2. CONTACT MATERIAL : PHOSPHOR BRONZE T=0.35mm.
3. PLATING : 1: CONTACT AREA- SELECTIVE GOLD PLATING.
2: TAILS PLATING TIN OVER NICKEL.
4. OPERATING LIFE : 750 CYCLES MIN.
5. MATING/UNMATING FORCE: : 30N Max.
6. RETENTION STRENGTH: : 50N 60S±5S

ENVIRONMENTAL:

1. STORAGE : -40°C TO +85°C RELATIVE HUMIDITY<80%.
 2. OPERATION : -40°C TO +85°C.
- MATES WITH MODULAR PLUG CONFORMING TO FCC PART 68, SUBPART F.

RoHS Compliant

5721 有耳插座双边脚

CZT ® 温州意华接插件股份有限公司 WENZHOU YIHUA CONNECTOR CO., LTD		TOLERANCES 公差 .0 ± 0.25 .00 ± 0.20 .000 ± 0.10		Material: 材质 普通PBT黑(环保料)	Designed: 设计 廖永生	NAME: 名称 RJ11 1X1 5721 6P JACK (WITH EAR)
第一视角	A4 SIZE	SCALE 比例 1:1	UNIT 单位 mm	Finish: 电镀 6U"	Checked: 审核	DWG NO: 图号 E57QWY-1080-10
		CUSTOMER: 客户 GCT	MODEL NO: 料号 N/A	ANGLES ± 0.5	SHEET 2 OF 3 第 2 页 共 3 页	Approved: 核准
						PART NO: 料号 B571N-6606-M009
						REV. 版本 15