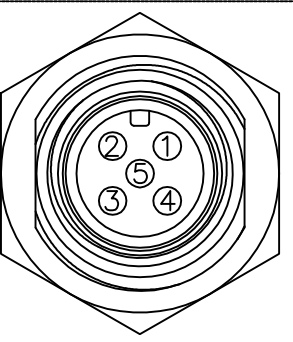
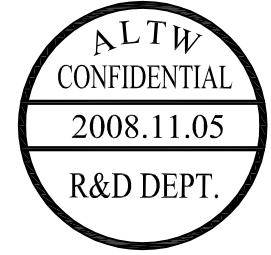
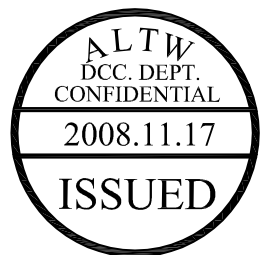
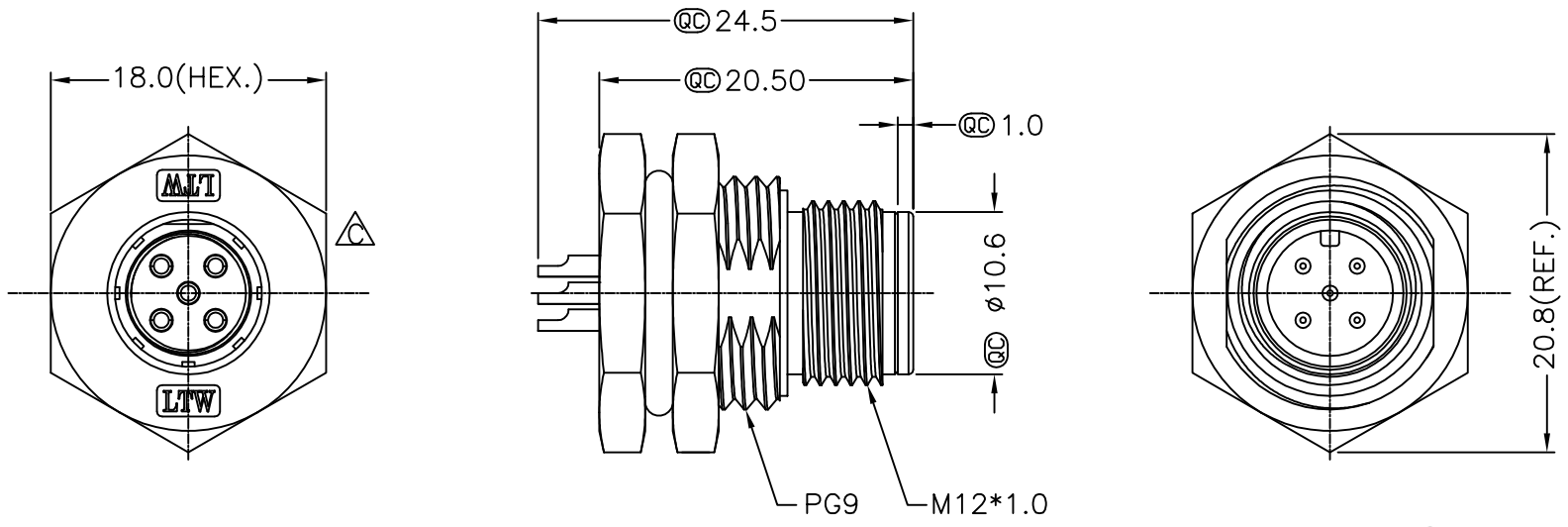
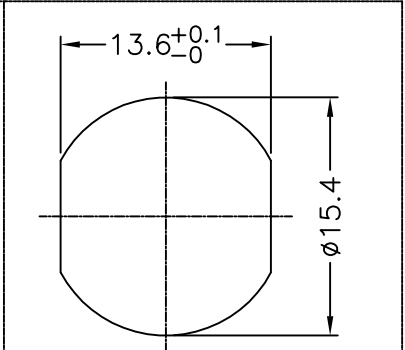


REV.	ECN NO.	DATE	SIGN	DESCRIPTION
B	LEN-7A0024	2007/10/01	Rommel A. Vergara	Add Note
C	LEN-8B0599	2008/11/05	Li Xiu Zhi	Change View

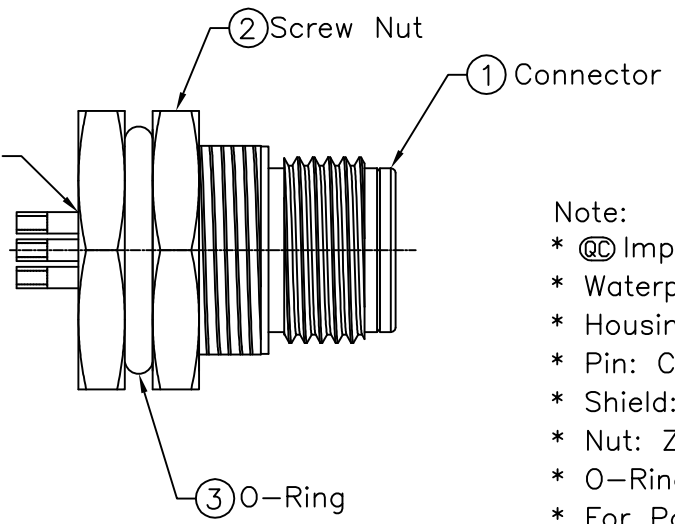
THIS DOCUMENT IS SUBJECT TO CHANGE WITHOUT NOTICE. IT IS CONFIDENTIAL AND A PROPERTY OF Amphenol LTW. DISCLOSURE TO THIRD PARTY HAS TO BE AUTHORIZED BY Amphenol LTW.



Pin Assignments
Front View



Recommended Panel Cut-Out



- Note:
- * @C Important Dimension.
 - * Waterproof Rate: IP68
 - * Housing: Black, Nylon+GF
 - * Pin: Copper Alloy, Gold Plated
 - * Shield: Zinc Alloy, Nickel Plated
 - * Nut: Zinc Alloy, Nickel Plated
 - * O-Ring: Black, EPDM
 - * For Panel Thickness Max 4.5mm
 - * Nut Torque: 4-6 kgf.cm

UNIT:mm	TOLERANCE .X ±0.25 .XX ±0.1 .XXX ±0.05 ANGLES ±1°	TITLE	M12 Conn	Amphenol LTW 安費諾亮泰企業股份有限公司	ITEM NO	12-05PMMS-SF8001	DRAWN BY	Li Xiu Zhi	DATE	2008/11/05
		Panel Screw 5Pin M Conn M Pin	SCALE		Free	SHEET	1 OF 1	DWG NO	12-05PMMS-SF8001	CHECKED BY
REV.	C	SIZE	A4	@C : Inspection Item	CUSTOMER	ALTW	APPROVED BY	Win	DATE	2008/11/07