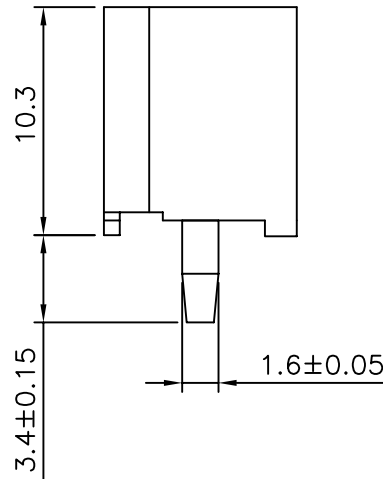
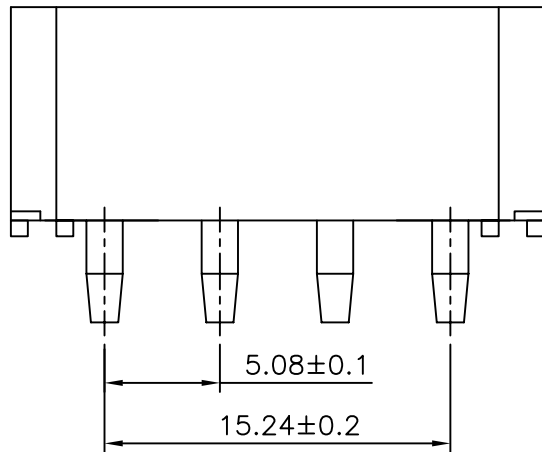


Recommand PCB Layout



■ SPECIFICATIONS

- Voltage Rating : 250V AC/DC
- Current Rating : 7A AC/DC
- Withstanding Voltage : 1,500V AC/minute
- Insulation Resistance : 1,000M Ω min
- Temperature Range : - 25 $^{\circ}$ C to + 85 $^{\circ}$ C
- Contact Resistance : 20m Ω max

■ WAFER

- Part No. : JS-1114-X04WS
 JS-1114-04WS : GP Produces
 JS-1114-004WS : Non GP Produces
- Material : Contact : Brass, Tin Plated
 Base : Nylon 66 UL94V-2
- Q' ty : 1,000 pcs./Bag



喬訊電子工業股份有限公司
 CHYAO SHIUNN
 ELECTRONIC INDUSTRIAL LTD.

PART NO JS-1114-04WS
 508mm Disk Drive Power Connectors Wafer

APPROVED BY	SCALE	UNIT	TOLERANCE		LTR	REVISION RECORD	DATE
林陳鏞	3:1	mm	.0	±0.3			
CHECKED BY	PROJ	VER NO.	.00	±0.2			
林勇生		α	.000	±0.1			
DRAWN BY	DATE	SIZE	ALL	±			
邱森鴻	2004/12/31	A4	ANGLE				
			0°	±			
			.0°	±			