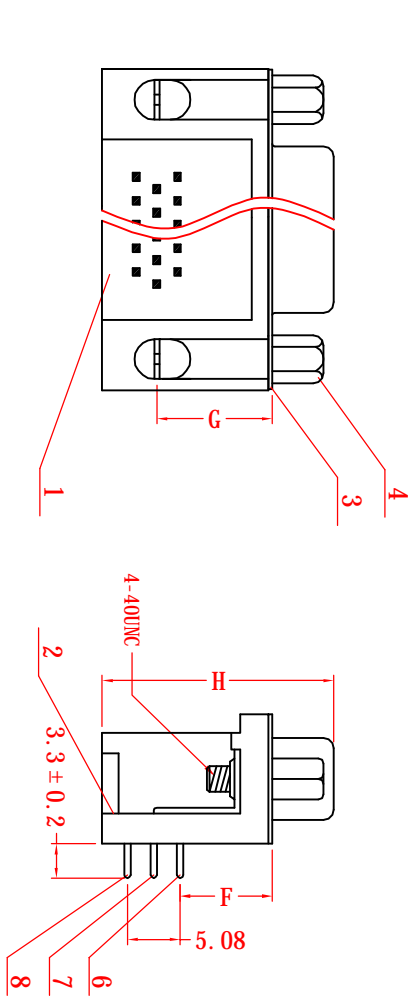


序号/Rev.No.	名称/Title	文件编号/File No.
1	108F 塑件主体	
2	108F 塑件后盖	
3	铁壳	
4	DR 螺丝	
5	108Z 字片	
6	108F 端子(短)	
7	108F 端子(中)	
8	108F 端子(长)	



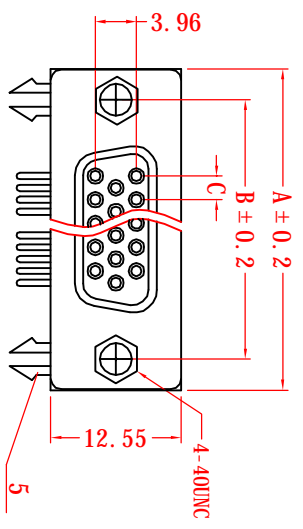
Specifications:
 Contact Resistance: 30mΩ max. at DC 100 mA
 Insulator Resistance: 1000MΩ min. at DC 500V
 Current Rating: 3AMP
 Dielectric Withstanding Voltage: AC 1000V For 1 minute
 Operating Temperature: -55°C--+105°C
 Contact: Phosphor bronze
 Housing: PBT &30% Glass Fiber(UL 94V-0)

Position	A	B	C
15	30.81	24.99	2.29
26	39.20	33.32	2.29
44	53.10	47.04	2.29
62	69.50	63.50	2.41

	F	G	H
B	3.08	5.08	14.45
C	8.89	10.89	22.2

要求:

1. 塑料件无裂痕。
2. 整排端子成一直线，相邻端子之间相互平行。



序号/Rev.No. 更改记录/Revision note 签名/Signature 日期/Date

设计/Designed by	绘图/Draw ing by	审核/Checked by	批准/Approved by	未注公差 General Tolerance
				X: ±0.2 X': ±2° X: ±0.1 X': ±1° .XX ±0.05 .XX' ±0.5° .XXX ±0.01
		图名/Title	文件编号/File No.	单位/Unit: mm
		108F产品图		
备注/Remark	页序/Sheet			