

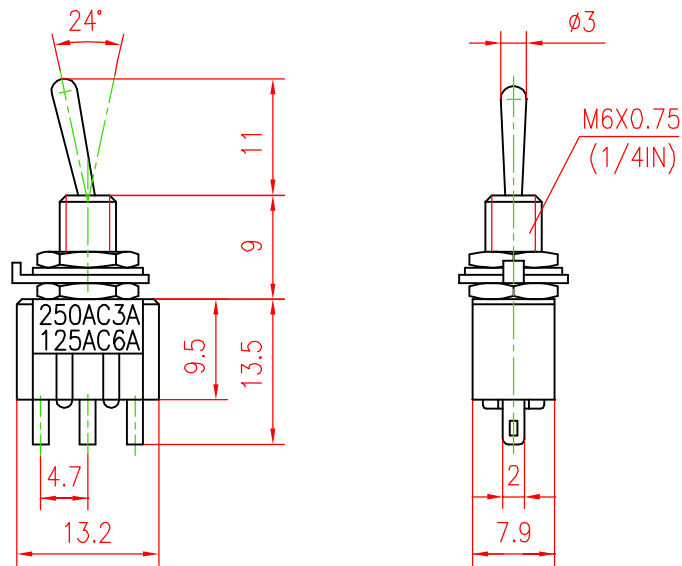
# Miniature Toggle Switch

(TYPE): MTS-102-A1

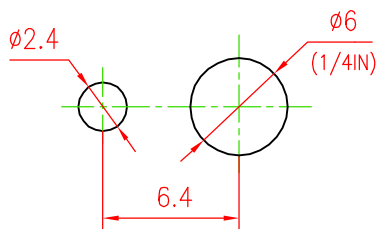
## Specification

- 1.(Rating): 6A 125V AC; 3A 250V AC
- 2.(Contact R): 20 OHM  $\varnothing$  max
- 3.(Insulation R): 500V DC 1000 OHM $\varnothing$  min
- 4.(Dielectric Strength): 1 Minute 1500V AC
- 5.(Operating Temperature): -55°C+85°C
- 6.(Electrical Life): 20.000 Cycles

## Outline Drawing



## Mounting



## Circuitry

