

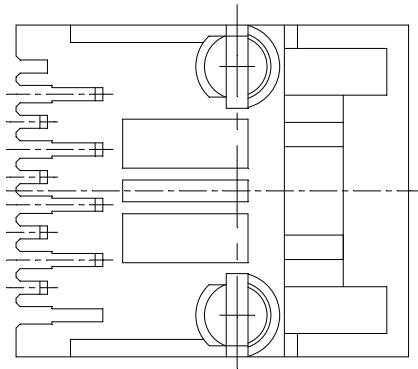
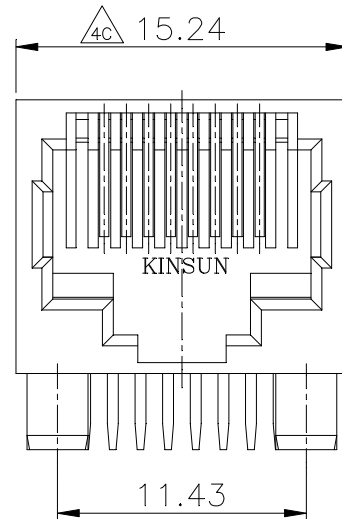
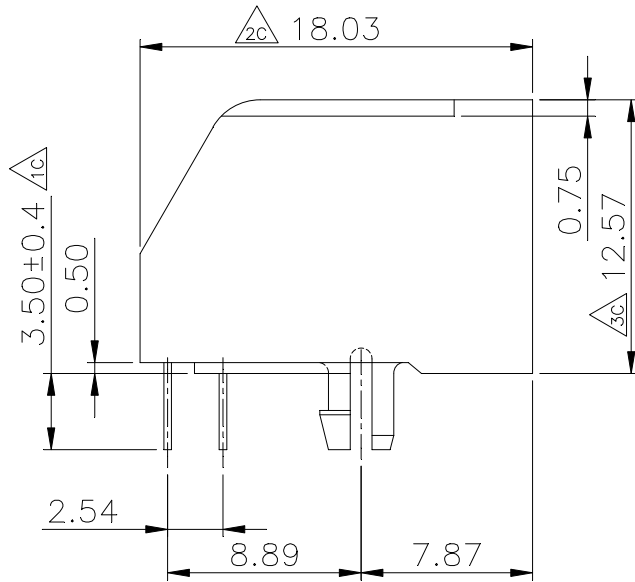
MATERIALS:

RoHS COMPLIANT

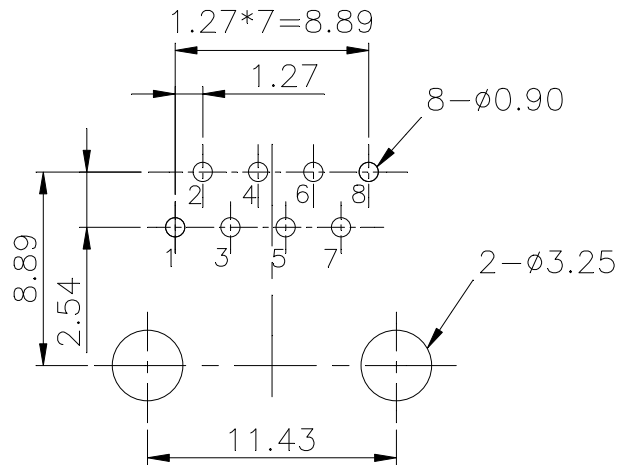
PLASTIC HOUSING: ENGINEERING THERMOPLASTIC
FLAMMABILITY RATING UL 94V-0.

CONTACTS: PHOSPHOR BRONZE

PLATING: GOLD PLATING OVER NICKEL IN CONTACT.
TIN PLATING OVER NICKEL IN SOLDER AREA.



PCB LAYOUT/TOP VIEW



P/N:

- 6μ" 3019AB5600 BLACK
- 6μ" 3019AH5600 BLUE
- 6μ" 3019AR5600 GREEN
- 6μ" 3019AU5600 RED 186C
- 15μ" 3019AB5700 BLACK
- 30μ" 3019AB5800 BLACK
- 50μ" 3019AB5900 BLACK

※凡標註△記號者，為品管檢驗之尺寸。

設計 DR. Wing 2008-07-16	核准 APPD. Jerry 2008-07-16	容許公差 .XXX ±0.10 .XX ±0.25 .X ±0.38 X ±0.50 ANG ±3°	TOLERANCE	品名 ARTICLE SIDE ENTRY PCB JACK
版本說明 REVISION NOTE ——依E302-0807056新增產品——				圖號 DWG NO. 3019AB5600
			單位 UNIT mm	比例 SCALE 張數 SHEET 版本 REV. 3/1 1/1 C