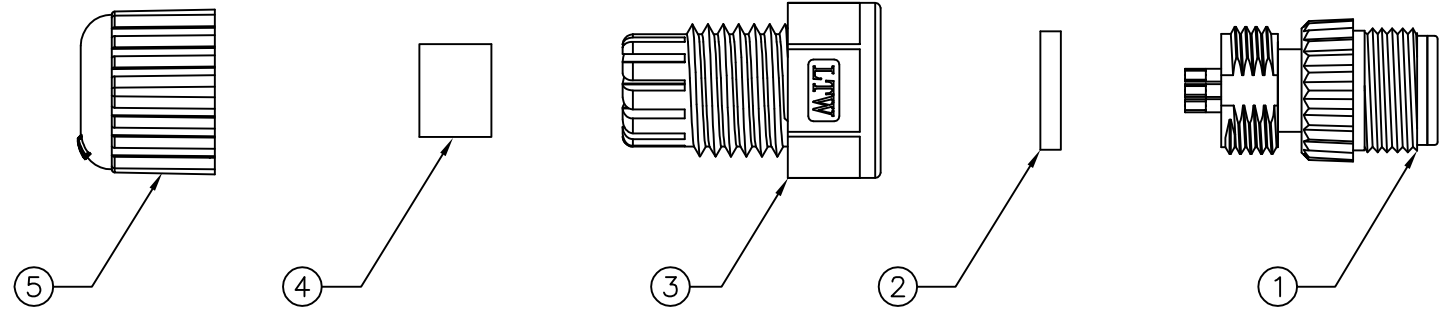


5	6	7	8
REV.	ECN NO.	DATE	SIGN
			DESCRIPTION

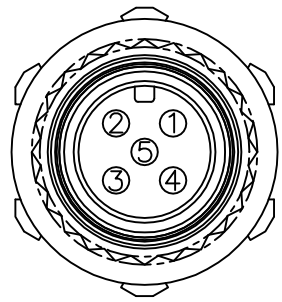
THIS DOCUMENT IS SUBJECT TO CHANGE WITHOUT NOTICE. IT IS CONFIDENTIAL AND A PROPERTY OF Amphenol LTW. DISCLOSURE TO THIRD PARTY HAS TO BE AUTHORIZED BY Amphenol LTW.



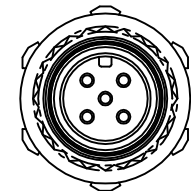
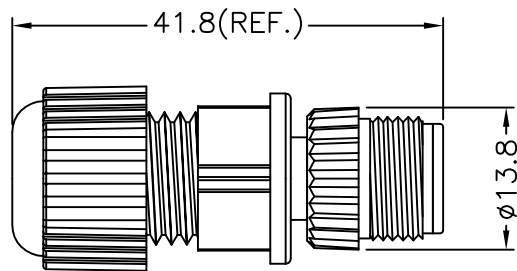
ALTW
CONFIDENTIAL
2006.12.21
R&D DEPT.

ALTW
DCC. DEPT.
CONFIDENTIAL
2007.01.02
ISSUED

- Note:
- * @D Important Dimension To Check.
 - * Waterproof Rate: IP68
 - * Housing: Black, Nylon+GF
 - * Pin: Copper Alloy, Gold Plated
 - * Nut: Black, Nylon+GF
 - * Gasket: Black, EPDM
 - * Clamp Ring: Black, Nylon
 - * Sealing Nut: Black, Nylon
 - * Seal: Black, EPDM
 - * Seal For Cable OD: $\phi 4.5\text{mm} \sim \phi 6.5\text{mm}$



Pin Assignments
Front View



Conn.

UNIT:mm		TITLE	M12 Conn	Amphenol LTW	ITEM NO	12P-05BMMA-SL8001	DRAWN BY	Jason Manas	DATE	2006/12/21
TOLERANCE	$\pm 0.5 \text{ mm}$	SCALE	Free	安費諾亮泰企業股份有限公司	DWG NO	12P-05BMMA-SL8001	CHECKED BY	Alan MJ Sundo	DATE	2006/12/21
		SHEET	1 OF 1		CUSTOMER	ALTW	APPROVED BY	Max Hung	DATE	2006/12/21
		REV.	A							
		SIZE	A4							
		@C : Inspection Item								