

## PRELIMINARY SPECIFICATIONS SHEET

LOUD SPEAKER  
P/N: LSE66-P11088

DESCRIPTION: D66mm, H14.5mm Loud Speaker, 350Hz, 8Ohm, 0.5W  
RoHS Compliance (Directive 2002/95/EC)

VERSION: 01

DATE: 14-Jun-2011

### REVISIONS

VERSION	DESCRIPTION	DATE
01	Released from engineering	14 Jun2011

APPROVED BY :

CUSTOMER NAME :

DATE :

## PRELIMINARY SPECIFICATIONS SHEET

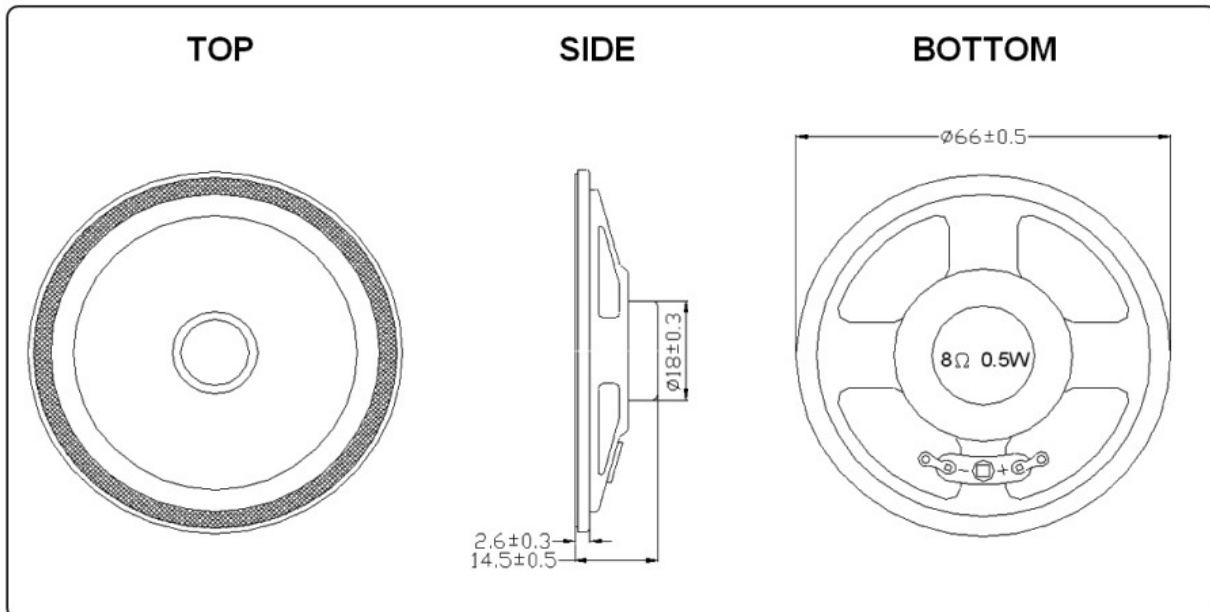
LOUD SPEAKER  
P/N: LSE66-P11088

### 1. SPECIFICATIONS

PARAMETERS	VALUES	UNITS
*SOUND PRESSURE LEVEL	86 ± 3	dBA
RESONANCE FREQUENCY (Fo)	350 ± 20%	Hz
FREQUENCY RANGE	Fo - 4,000	Hz
RATED IMPEDANCE	8 ± 15%	Ohm
RATED POWER	0.5	W
MAX POWER	1.0	W
MAGNET	12.5x2.0mm	-
OPERATING TEMPERATURE	-20 to +60	°C
STORAGE TEMPERATURE	-30 to +60	°C
HOUSING	METAL	-
DIAPHRAGM MATERIAL	PAPER	-
WEIGHT	20.5	g

\*Tested at 1m 1W, 400 , 600, 800 ,1kHz Average

### 2. DIMENSIONS (unit in mm)



Tolerance:  $\pm 0.5$ mm except specified

VERSION: 01

DATE: 14-Jun-2011

All specifications subject to change without notice