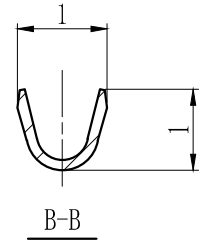
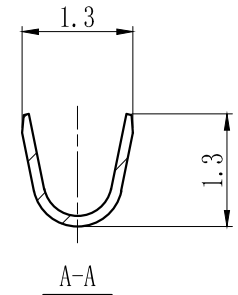
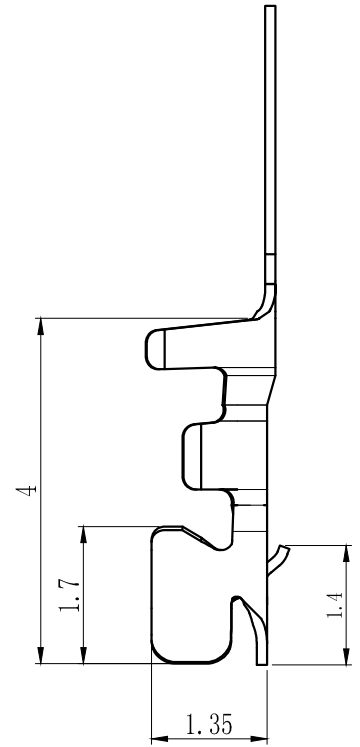
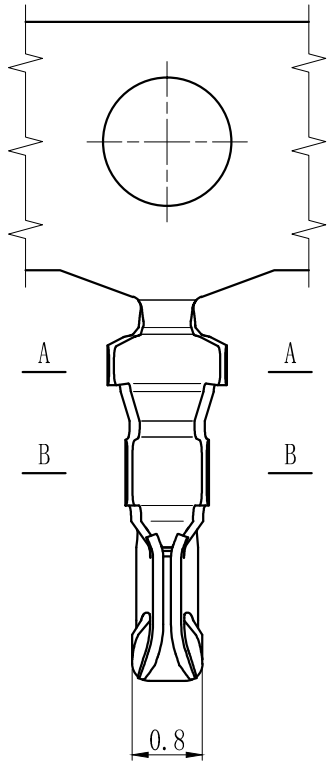


15 14 13 12 11 10 9 8 7 6 5 4 3 2 1

REV	DESCRIPTION	DATE
A/0	Original Version	E
A/1	Revised Version	



Main Specifications

适用线规 (Applicable wire): AWG #32 to #28

1		PhosBronzet in	T11	15000PCS/Roll			
No.	Drawing No.	Material		Note			
Undeclared Tolerance		Conntherm					
X.° ±3° X.X° ±0.5°							
<10	10-30	>30	UNIT RATIO	Design Units	SIZE	PAGE	
±0.2	±0.25	±0.3	MM Only	—	METRIC	A4	
							Part No

15 14 13 12 11 10 9 8 7 6 5 4 3 2 1