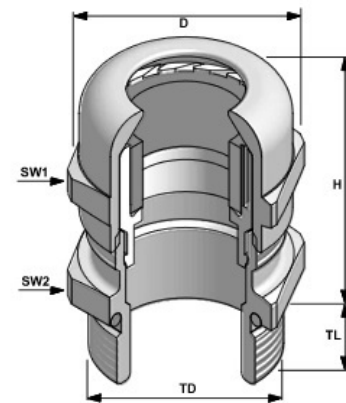


METRIC
EURO METRIC
PG
NPT

STANDARD SERIES METAL CABLE GLANDS



Technical Details		
Material		
Body	Brass, Nickel plated	
Cap	Brass, Nickel plated	
Seal	CR (Chloroprene Rubber)	
Clamp/Insert	Polyamide 6	
O-ring	NBR	
Flammability	V2 (According to UL 94)	
Protection Class	IP 68 - 5 Bar	
Operating Temperature		
Permanent	-20 °C up to +100 °C	
Intermittent	-40 °C up to +150 °C	
Benefits		
	Suitable for highest demands of todays technology	
	Easy to assemble	
	Easy handling	
	Water tight	
	Strain relief	
Accessories		
	Lock nuts	
	Reducing seals	
	Flat cable seals	
	Multihole seals	
Remarks		
	Different sealing types available	
	Large accessory range	
	Manufactured according to the requirements of EN 50262	



Technical Information									Packing Information	
Thread Type	Clamping Range Ø min-max mm	TL mm	TD mm	SW1 mm	SW2 mm	Max. H mm	D mm	Codes	Inner Pack	Box/Min.OQ
METRIC THREAD Attachment Thread EN 60423										
M12x1,5	3,0 - 6,5	6,0	12,0	14,0	14,0	21,5	15,5	BMBC-05	50	2.000
M16x1,5	4,0 - 8,0	7,0	16,0	17,0	18,0	23,0	18,9	BMBC-01	50	1.500
	5,0 - 10,0	6,5		20,0	20,0	29,0	22,0	BMBC-01S		
M20x1,5	6,0 - 12,0	8,0	20,0	22,0	22,0	25,0	24,5	BMBC-02	50	800
	10,0 - 14,0			24,0	24,0	28,0		26,8		
M25x1,5	10,0 - 14,0	8,0	25,0	24,0	27,0	28,0	33,0	BMBC-03	25	500
	12,0 - 18,0			30,0	30,0	32,0		33,0		
M32x1,5	13,0 - 18,0	9,0	32,0	30,0	34,0	33,0	44,5	BMBC-04	25	350
	17,0 - 24,0			40,0	40,0	44,0		44,5		
M40x1,5	18,0 - 25,0	9,0	40,0	40,0	43,0	38,0	55,5	BMBC-05	20	160
	22,0 - 32,0			50,0	50,0	42,0		55,5		
M50x1,5	22,0 - 32,0	9,0	50,0	50,0	55,0	48,0	70,0	BMBC-06	15	90
	29,0 - 40,0			64,0	68,0	53,0		55,5		