



Features

- 17" 5-wire Resistive SXGA TFT
- PPC-1705: Intel® Atom™ D525 Dual Core 1.8GHz CPU
PPC-1707: Intel® Cedarview D2700 2.13GHz CPU
PPC-17A4: AMD eOntario T40E 1.0GHz CPU
- GbE, Audio, 2 x 2W Amplifier
- 1 CF, 2 USB, 1 COM & 1 Mini-PCle
- Wide Voltage +12V ~ +28V, ErP Power
- Power-On Timer
- Fanless Operation, VESA Compliance
- Programmable Function Key

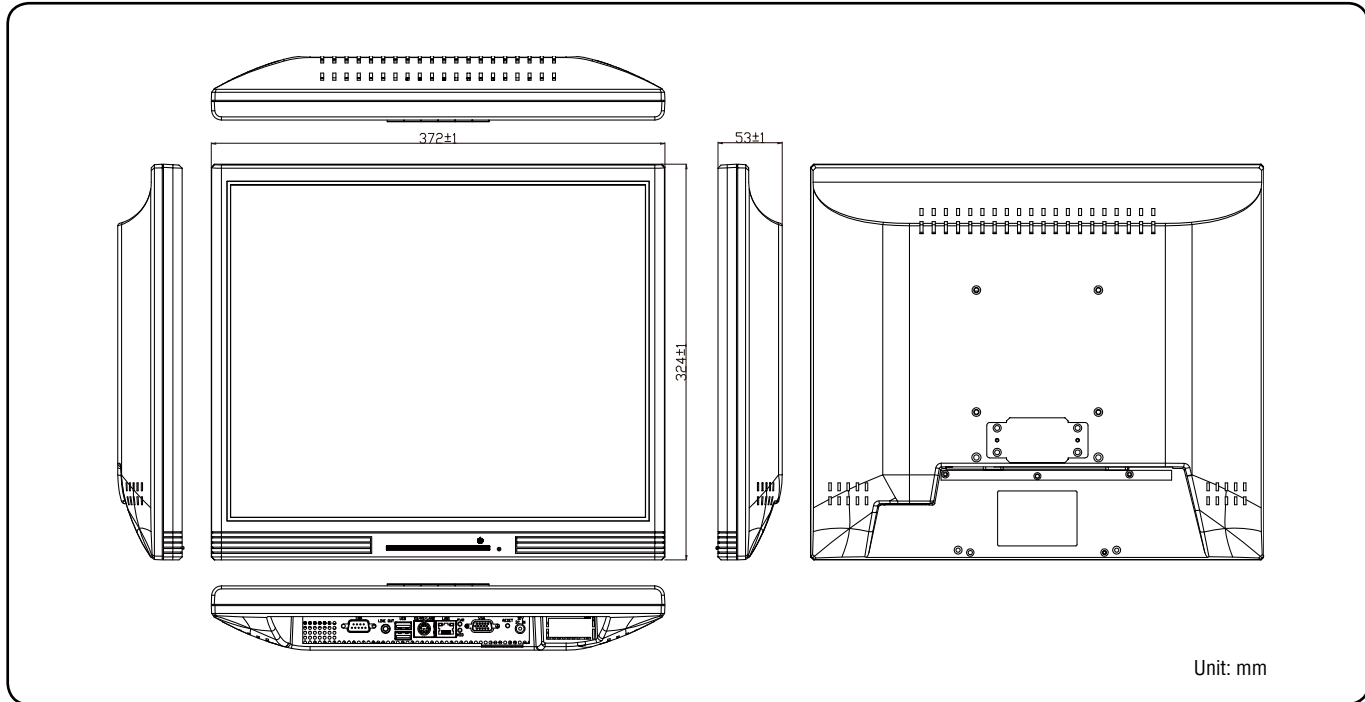


Specifications

Model Name	PPC-1705	PPC-1707	PPC-17A4
• LCD Size	17", 4:3	17", 4:3	17", 4:3
• Resolution, Color	1280 x 1024 SXGA, 16.7M	1280 x 1024 SXGA, 16.7M	1280 x 1024 SXGA, 16.7M
• Pixel Pitch	0.264mm (H) x 0.264mm (V)	0.264mm (H) x 0.264mm (V)	0.264mm (H) x 0.264mm (V)
• Luminance	380cd/m ²	380cd/m ²	380cd/m ²
• Contrast Ratio	1000	1000	1000
• Viewing Angle	80 (U), 80 (D), 85 (L), 85 (R)	80 (U), 80 (D), 85 (L), 85 (R)	80 (U), 80 (D), 85 (L), 85 (R)
• Response Time	5ms	5ms	5ms
• Backlight	4 x CCFL	4 x CCFL	4 x CCFL
• Touch Screen	5-wire Resistive	5-wire Resistive	5-wire Resistive
• Light Transmission	80%	80%	80%
• Touch Interface	USB	USB	USB
System			
• Board	EBM-PNV	EBM-CDV	EBM-A50M
• CPU	Onboard Intel® Atom™ D525 Dual Core 1.8GHz CPU	Onboard Intel® Atom™ Cedarview Dual-Core D2700 2.13GHz CPU	Onboard AMD eOntario T40E 1.0GHz CPU
• System Chipset	Intel® ICH8-M Chipset	Intel® NM10 Chipset	AMD A50M Chipset
• I/O Chip	Nuvoton W83627DHG-P	E/C IT8518E	Nuvoton W83627DHG-P
• System Memory	Onboard 1GB Up to 2GB & One 204-pin SODIMM Supports Up to 4GB DDR3 800MHz SDRAM	One 204-pin SODIMM Supports Up to 4GB DDR3 1066MHz SDRAM	Onboard 2G DDR3 1066MHz SDRAM, One 204-pin DDR3 SODIMM Up to 4GB DDR3 1066MHz SDRAM
• SSD	One CF Socket Supports Type I/II Compact Flash Card	One CF Socket Supports Type I/II Compact Flash Card	One CF Socket Supports Type I/II Compact Flash Card
• Hard Drive Bay	One 2.5" SATA HDD/ SSD	One 2.5" SATA HDD/ SSD	One 2.5" SATA HDD/ SSD
• WiFi	Optional USB or Mini PCIe WiFi Module	Optional USB or Mini PCIe WiFi Module	Optional USB or Mini PCIe WiFi Module
• Watchdog Timer	Reset: 1 ~ 255min. and 1sec. or 1min./step	Reset: 1 ~ 255min. and 1sec. or 1min./step	Reset: 1sec. ~ 65535 sec./min. and 1sec. or 1min./step
• H/W Status Monitor	Monitoring System Temperature, Voltage, with Auto Throttling Control	Monitoring System Temperature, Voltage, with Auto Throttling Control	Monitoring System Temperature, Voltage, with Auto Throttling Control
• Expansion	1 x Mini PCIe Slot	1 x Mini PCIe Slot	1 x Mini PCIe Slot
Rear Panel I/O			
• Serial Port	1 x RS-232	1 x RS-232	1 x RS-232
• Ethernet	1 x RJ-45 (Intel® 82574L Gigabit Ethernet, Optional Dual 82574L Gigabit Ethernet)	1 x RJ-45 (Intel® 82574L Gigabit Ethernet, Optional Dual 82574L Gigabit Ethernet)	2 x RJ-45 (Dual Realtek RTL8111E Gigabit Ethernet)
• VGA	1 x DB-15	N/A	N/A
• HDMI	N/A	1 x HDMI	1 x HDMI
• Audio	1 x Line-out (Realtek ALC888 Supports 5.1-CH Audio)	1 x Line-out (Realtek ALC892 Supports 5.1-CH Audio)	1 x Line-out (Realtek ALC892 Supports 5.1-CH Audio)
• USB	2 x USB 2.0	2 x USB 2.0	2 x USB 2.0
• Mouse & K/B	1 x PS/2 KB & MS	1 x PS/2 KB & MS	N/A
• Speaker	2 x 2W	2 x 2W	2 x 2W



Diagram



Environment & Mechanical

• Color	Front & Rear Panel Black (Plastic)
• Mounting	Wall/ Stand/ VESA 100mm X 100mm
• System Power Requirement	+12V ~ +28V DC Power Input
• Power Adapter	Input: 100 ~ 250Vdc/ 47 ~ 63Hz Output: 60W Adapter (12V @ 5A Adapter)
• Operating Temperature	0 ~ 40°C (32 ~ 104°F)
• Storage Temperature	-10 ~ 50°C (14 ~ 122°F)
• Relative Humidity	0% ~ 90% Relative Humidity, Non-condensing
• Dimensions (W x D x H)	372mm x 324mm x 53mm
• Weight	3.79Kgs

Ordering Information

- **PPC-1705**
17" SXGA TFT Plastic Panel PC with Intel® Atom™ D525 Dual Core 1.8GHz CPU
- **PPC-1707**
17" SXGA TFT Plastic Panel PC with Intel® Cedarview D2700 2.13GHz CPU
- **PPC-17A4**
17" SXGA TFT Plastic Panel PC with AMD eOntario T40E Dual Core 1.0GHz CPU
- **ACC-WIFI-PCIE-8R**
WM5201 802.11b/g/n Mini Card w/ Antenna for PPC Series
- **ACC-MSR-004R**
MSR with Bracket Set for PPC-1501
- **ACC-ARM-D1R**
VESA STAND, 75 & 100mm
- **ADD-ARM-D23R**
L Type Stylish Table Stand VESA 75 & 100mm
- **ACC-CF-XX**
CompactFlash Card Series (xx=Capacity, Capacity Option: 128, 256, 512MB, 1, 2, 4, 8GB)

1
LPC
Series

2
APC
Series

3
PPC
Series

4
FPC
Series

5
MPC
Series

6
OPM
Series

7
SPC
Series

8
MTP
Series

9
RISC
Series

10
ACC