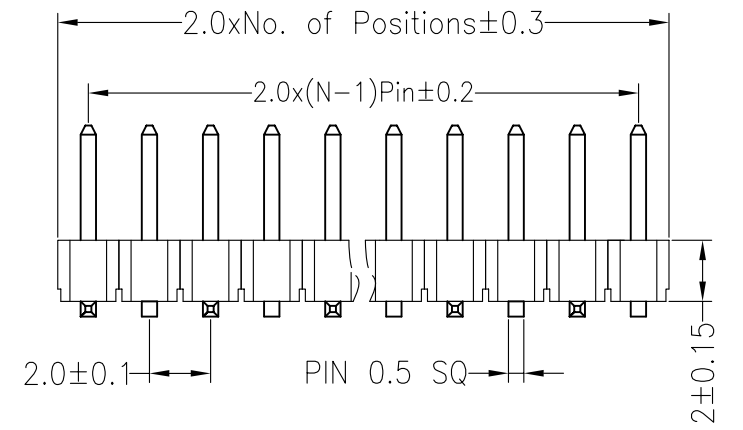
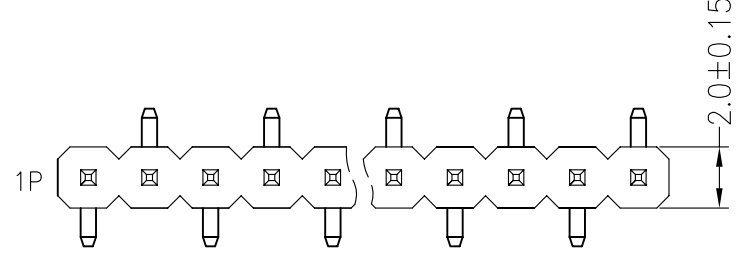
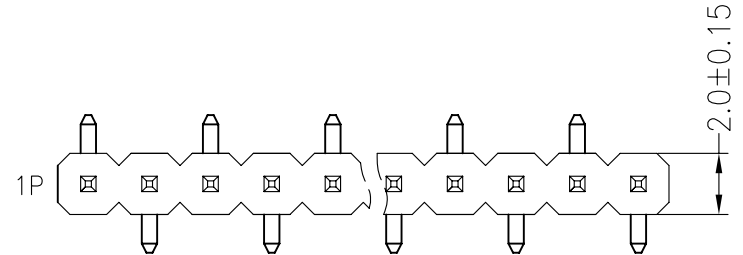
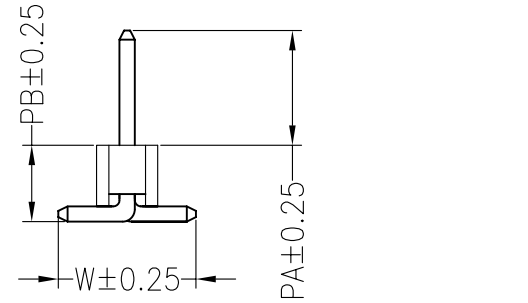
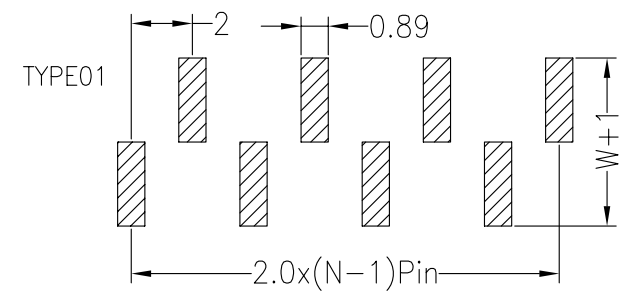
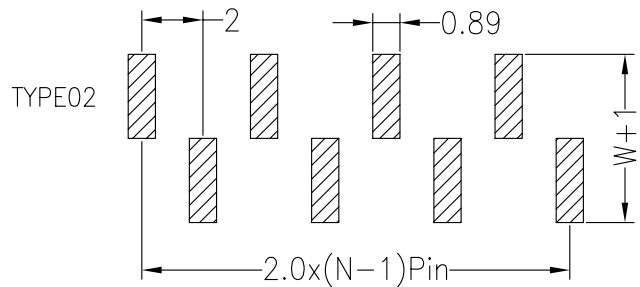


SPECIFICATIONS
 Rated Current:1.5AMP
 Contact Resistance:20mΩ Max
 Withstand Voltage:500V AC/DC
 Insulation Resistance:1000MΩ Min
 Operation Temperature:-40°c to +105°c

Contact Material:Brass
 Contact Plating:Au or Sn Over Ni
 Insulator Material:Polyester(UL94V-0)
 Standard: PA6T
 Max.Processing Temp: 230°C for 30-60 seconds
 (260°C for 5 seconds)



Recommended P.C.B Layout(Top Side)
 (PCB BOARD TOLERANCE±0.05)



Dimension antitheses list				
ITEM	PA	PB	W	L
Standard	3.80	2.50	4.50	8.00
Alternate	4.00	2.60	4.40	8.20

				OPERATION		DRAW	YiYuSheng	12.10.05	SCALE	FIT	Conntherm		
				X.X	±0.30				UNIT	mm			
				X.XX	±0.20	CHECK		SIZE	A4	PART NO.			
A0	2012.10.05	NEW DRAWING		X.XXX	±0.10	APPROVE		SHEET	1/1			TITLE: 2.0PH 1xNpin H2.0mm SMT	
REV	DATE	MODIFICATION DESCRIPTION		CHANGE				PROJ.	◆ ↗				
1	2	3	4	5	6	7	8	9					