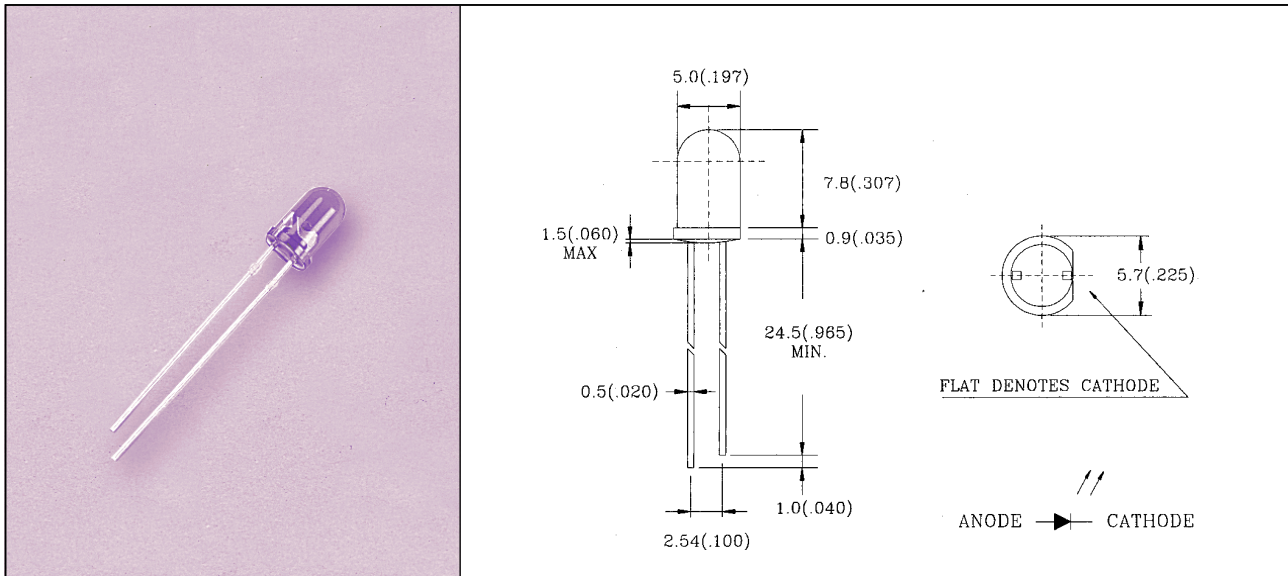


## L-51XEIR2XX 5.0mm INFRARED EMITTING DIODE



◆ABSOLUTE MAXIMUM RATING:(Ta=25°C)

Part No.	P <sub>D</sub> (mw)	V <sub>(BR)R</sub> (V)	T <sub>opr</sub>	T <sub>stg</sub>
L-51XEIR2XX	100	5	-35°C to 85°C	-35°C to 85°C
<b>PARAMETER</b>	<b>Power Dissipation</b>	<b>Reverse Voltage</b>	<b>Operating Temperature Range</b>	<b>Storage Temperature Range</b>
<b>Lead Soldering Temperature {1.6mm(0.063 inch)From Body}250°C ±5°C For 3 Seconds</b>				

◆ELECTRO-OPTICAL CHARACTERISTICS:(Ta=25°C)

Part No.	V <sub>F</sub> (V)			I <sub>R</sub> (μA)			λ <sub>p</sub> (nm)			2 θ 1/2 (dgs)			I <sub>e</sub> (mw/sr)		
	MIN	TYP	MAX	MIN	TYP	MAX	MIN	TYP	MAX	MIN	TYP	MAX	MIN	TYP	MAX
L-514EIR2BC		1.4 1.6	1.8			10		880			20		17	30	
L-516EIR2BC		1.4 1.6	1.8			10		880			30		12	23	
L-518EIR2BC		1.4 1.6	1.8			10		880			40		8	18	
L-516EIR2D2		1.4 1.6	1.8			10		880			30		10	20	
L-516EIR2D2-S		1.4 1.6	1.8			10		880			30		10	20	
TEST CONDITION	I <sub>F</sub> =20mA I <sub>F</sub> =100mA			V <sub>R</sub> =5V			I <sub>F</sub> =20mA			I <sub>F</sub> =20mA			I <sub>F</sub> =20mA		

BC=BLUE CLEAR

- 1.All dimension are in millimeters(inches).
- 2.Tolerance is ±0.25mm(0.01")unless otherwise specified.

Ozn. MARITEX:  
L-IR-ED5B-880 - L-514EIR2BC