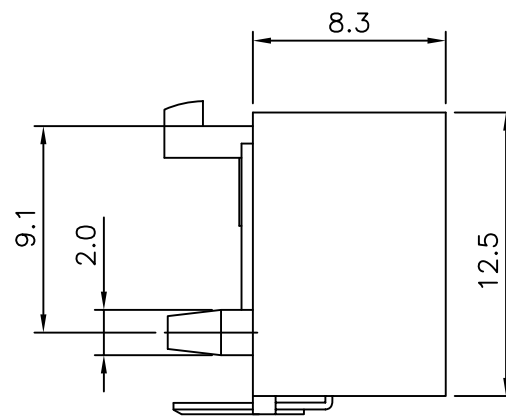
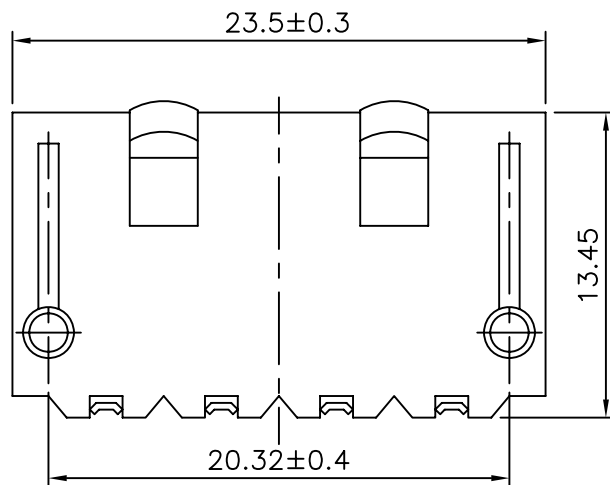


RECOMMAND PCB LAYOUT



■ SPECIFICATIONS

- Voltage Rating : 250V AC/DC
- Current Rating : 7A AC/DC
- Withstanding Voltage : 1,500V AC/minute
- Insulation Resistance : 1,000M $\Omega$  min
- Temperature Range : - 25 $^{\circ}$ C to + 85 $^{\circ}$ C
- Contact Resistance : 20m $\Omega$  max

■ WAFER

- Part No. : JS-1114-04WR1(V0)
- Material : Contact : Brass, Tin Plated  
Base : Nylon 66 UL94V-0
- Q' ty : 1,000 pcs./Bag



喬訊電子工業股份有限公司

**CHYAO SHIUNN  
ELECTRONIC INDUSTRIAL LTD.**

APPROVED BY	SCALE	UNIT	TOLERANCE	LTR	REVISION RECORD	DATE	LTR	REVISION RECORD	DATE
林宗		mm	.0 ±0.3	ECR	RoHS compliant	06/06/23			
CHECKED BY	PROJ	VER NO.	.00 ±0.2						
		a	.000 ±0.1						
DRAWN BY	DATE	SIZE	ALL ±						
黃科源	2007/10/24	A4	ANGLE						
			0° ±						
			.0° ±						
								CUSTOMER	
								Conforms to The RoHS Instruction	

PART NO JS-1114-04WR1(V0)

5.08mm Disk drive power connectors Wafer