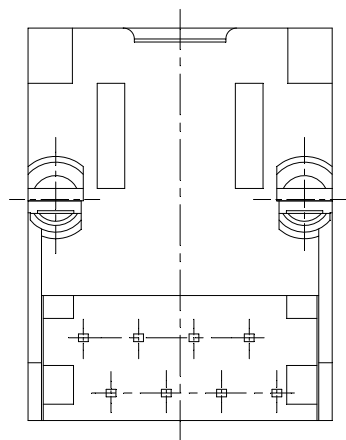
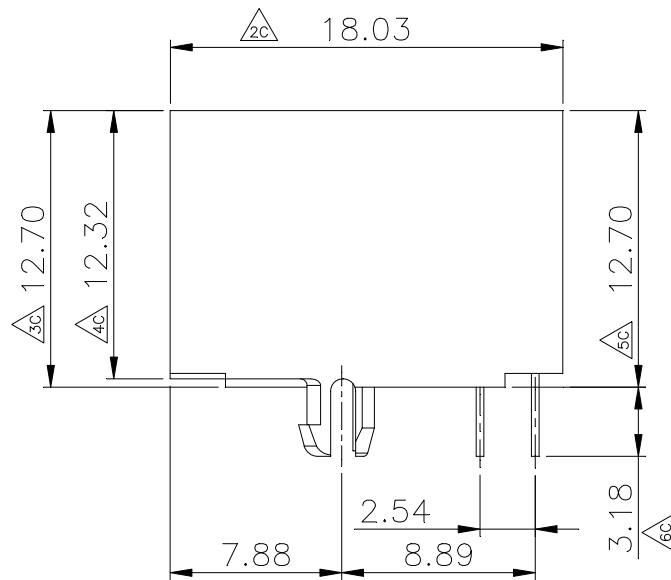
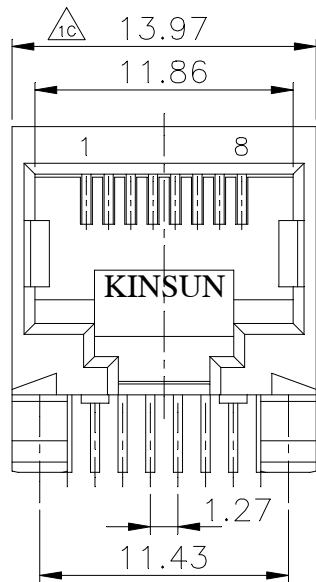


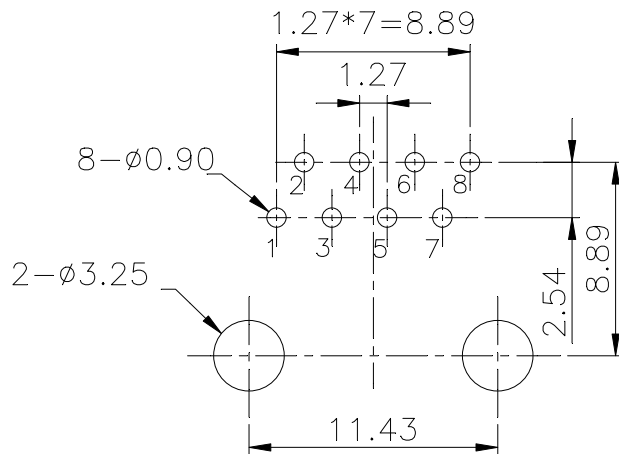
**MATERIALS:**

PLASTIC HOUSING: ENGINEERING THERMOPLASTIC  
 FLAMMABILITY RATING UL 94V-0.  
 CONTACTS: PHOSPHOR BRONZE  
 PLATING: GOLD PLATING OVER NICKEL IN CONTACT.  
 TIN PLATING OVER NICKEL IN SOLDER AREA.

RoHS COMPLIANT



PCB LAYOUT/TOP VIEW



- G/F P/N 3010655500
- 6u" P/N 3010655800
- 15u" P/N 3010656400
- 30u" P/N 3010657000
- 50u" P/N 3010657600

※ 凡標註記號者, 為品管檢驗之尺寸

設計 DR. LILY 2010-08-26	核准 APPD. Jerry 2010-08-26	容許公差 TOLERANCE .XXX ±0.10 .XX ±0.25 .X ±0.38 X ±0.50 ANG ±3°	品名 ARTICLE SIDE ENTRY PCB JACK(8P8C)
版本說明 REVISION NOTE 依設變通知單 NO:3010-010 KS改為KINSUN,發D版			圖號 DWG NO. 3010655800
			單位 UNIT 比例 SCALE 張數 SHEET 版本 REV. mm 3/1 1/1 D