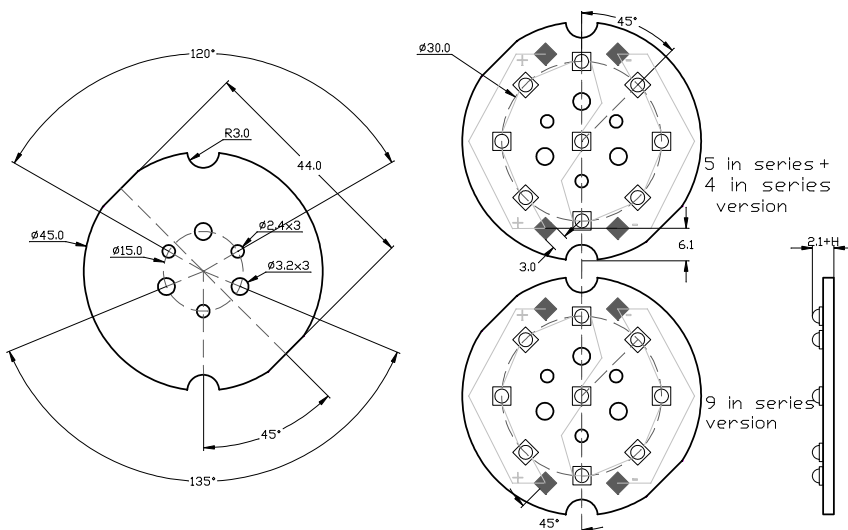


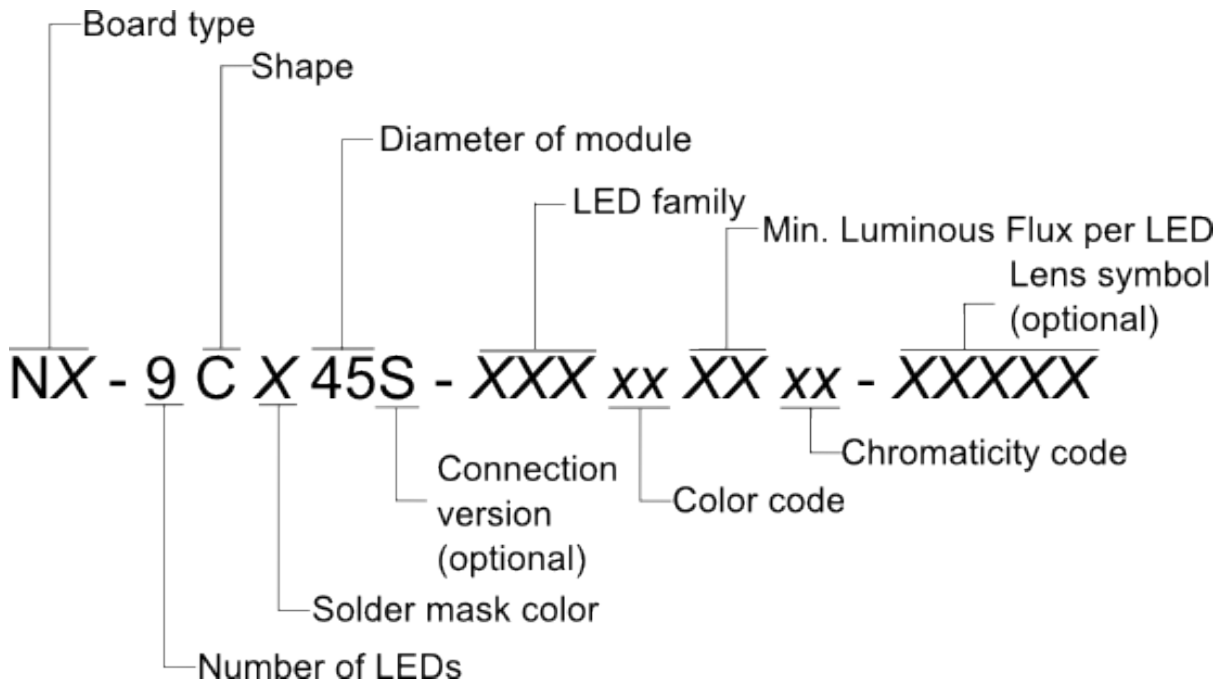
SHORT DESCRIPTION

- Round MCPCB board with 45 mm diameter
- Nine LEDs connected in series (NX-9CX45-XXX) or four LEDs connected in series and next five LEDs connected in series (NX-9CX45S-XXX)
- Designed for Cree Xlamp High-Power LEDs XP-C, XP-E, XP-E High-Efficiency and XP-G
- Compatible Lenses: Ledlink LL09CR-FRxxL family





PRODUCT NOMENCLATURE



Board Type¹

NX - 9CX45- XXXxxXXxx- XXXXX

	H [mm]	Material	Dielectric thermal conductivity [W/(m·K)]	Dielectric thickness [μm]
NV	2	1060 Alloy	1.5	80
NS	1.6			
NT	2	5052 Alloy	2	60
NC	1.6			
NM	2	Cu	3	60
NB	2	5052	depends on design ² 10 ÷ 50	60



Shape

NX- 9C X45- XXXxxXXxx- XXXXX

Shape name	
R	Rectangular
C	Round
S	Star
P	Polygonal

Soldermask Color³

NX- 9CX 45- XXXxxXXxx- XXXXX

Color name	
B	Black
O	Orange
W	White

LED Family

NX- 9CX45- XXX xxXXxx- XXXXX

	Description	Suggested Board Type
XPC	Cree Xlamp XP-C Type	NV, NS, NT, NC, NM
XPE	Cree Xlamp XP-E Type	NV, NS, NT, NC, NM
XHE	Cree Xlamp High-Efficiency XP-E Type	NV, NS, NT, NC, NM
XPG	Cree Xlamp XP-G Type	NT, NC, NM



Color

NX- 9CX45- XXXxx XXxx- XXXXX

CTT Range [K]				
	Color name	CTT Range [K]		Led families
		min	max	
WC	Cool White	5000	10000	XPC, XPE, XHE ⁴ , XPG ⁵
WO	Outdoor White	4000	5300	XPE, XHE ⁶ , XPG
WN	Neutral White	3700	5000	XPC, XPE, XHE, XPG
80	80-CRI White	2600	4300	XPE, XHE, XPG
WW	Warm White	2600	3700	XPC, XPE, XHE, XPG
85	85-CRI White	2600	3200	XPE, XHE, XPG
90	90-CRI White	2600	3200	XPE, XHE, XPG

Dominant Wavelength [nm]				
	Color name	Dominant Wavelength [nm]		Led families
		min	max	
BR	Royal Blue	450	465	XPC, XPE
BL	Blue	465	485	XPC, XPE
GR	Green	520	535	XPC, XPE
AM	Amber	585	595	XPC, XPE
RO	Red-Orange	610	620	XPC, XPE
RE	Red	620	630	XPC, XPE

Connection version

Description	
NX-9CX45-XP	Nine LEDs connected in series
NX-9CX45S-XP	Four LEDs connected in series and next Five LEDs connected in series

Minimal Luminous Flux per LED

NX- 9CX45- XXXxxXX xx- XXXXX

Please refer to proper CREE Binning & Labeling documentation(located at <http://www.cree.com/products/xlamp.asp>) paragraph "Luminous or radiant flux group".



Chromaticity


NX- 9CX45- XXXxxXXxx - XXXXX

Please refer to proper CREE Binning & Labeling documentation (located at <http://www.cree.com/products/xlamp.asp>) paragraph "Chromaticity or dominant-wavelength group".

Lens Symbol (optional)⁷

NX- 9CX45- XXXxxXXxx- XXXXX

Following table contains some of example lenses for nGine.

Family	Example	Mounting	Manufacturer
LL09CR-FRXXL	FRM25L, FR40L, FR60L	Put in	

Ordering Code Example

NV-9CB45S-XPCWCQ51C – 2 mm 1060 Alloy board with black soldermask, 4 XPC cool white LEDs in series and nest 5 LEDs connected in series, Q51C bin,

NV-9CB45-XPCWCQ51C-FR25L – 2 mm 1060 Alloy board with black soldermask, 9 XPC cool white LEDs in series, Q51C bin, LL09CR-FR25L Ledlink lens.

ENVIROMENTAL CAUTION



It is prohibited to dispose of obsolete and waste electrical and electronic equipment together with regular household wastes. They should be properly sorted and recycled. old electrical and electronic equipment should be returned to a waste collection point established by a waste-management service. Waste electrical and electronic equipment can be broken down to base materials and then recycled. For more information regarding waste management please contact your local authorities waste-management service or the seller of electrical and electronic devices.

NOTES

- ¹ Another thickness available on request.
- ² Blind holes technology.
- ³ Another soldermask color available on request.
- ⁴ Max. CCT Range 8300 K.
- ⁵ Max. CCT Range 8300 K.
- ⁶ Min. CCT Range 2600 K.
- ⁷ More lenses available on request.