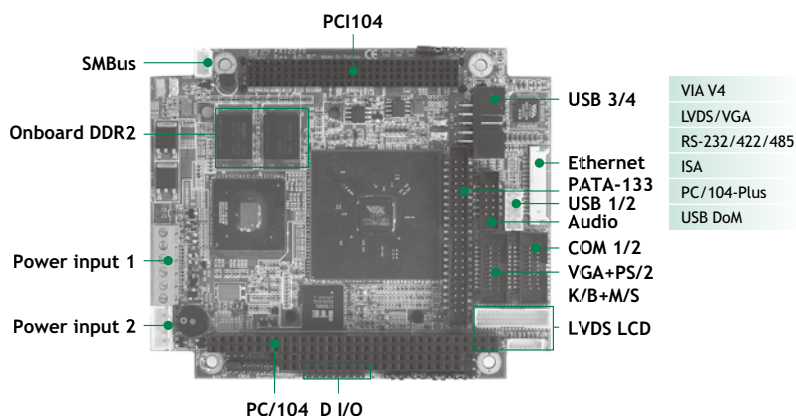
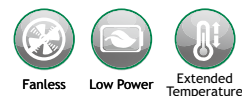


AX12270

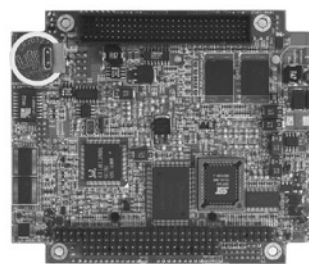
VIA V4 PC/104-Plus CPU Module with DualView, Onboard Memory and PC/104-Plus Expansion



Features



- Ultra low power V4 Eden/C7 CPU
- VIA CX700M + ITE8888G chipset
- DualView with different content & resolution
- USB DOM supported as SSD
- PC/104-Plus slot for both 16-bit ISA, 1 x 32-bit PCI expansions



▲ Rear view

System

CPU	VIA V4 compliant Eden/C7 processor onboard with FSB 400/533 MHz
System Memory	Onboard DDR2 512 MB
Chipset	VIA CX700M + ITE8888G
BIOS	Phoenix-Award
SSD	1 x USB DoM
Board Unique ID	Board unique ID (optional)
Watchdog Timer	255 levels, 1-255 sec.
Expansion Interface	1 x PCI-104 for 32-bit PCI supports 3 bus masters 1 x PC/104 for 16-bit ISA bus
Battery	Lithium 3V/210 mAH
Power Requirements	*VIA V4 Eden @ 1G, 512MB DDR2 Max. RMS: +5VSB @ 60mA, +5V @ 1.976A, +12V @ 36mA *VIA V4 Eden @ 500, 256MB DDR2 Max. RMS: +5VSB @ 64mA, +5V @ 1.751A, +12V @ 27mA
Size	96 x 90 mm
Board Thickness	1.6 mm
Operating Temperature	Standard: 0°C - 60°C (32°F - 140°F) Optional: -20°C - +70°C (-4°F - +158°F)
Relative Humidity	10% - 95% relative humidity, non-condensing

I/O

MIO	1 x IDE; PATA-133 1 x PS/2 keyboard/mouse 1 x RS-232/422/485 (COM 1) 1 x RS-232 (COM 2)
SATA	N/A
Hardware Monitoring	Detect CPU/system temperature, voltage and fan speed
Ethernet	1 port as 10/100Mbps supports Wake-on-LAN, RPL/PXE Boot ROM with Realtek RTL8139DL
Audio	HD Codec audio as MIC-in/Line-in/Line-out/speaker-out with VIA VT1708B
USB	4 x USB 2.0
SMBus	System Management Bus for advanced monitoring/control
Digital I/O	8 channels IN & 8 channels OUT

Display

Chipset	VIA CX700M intergrated
Memory Size	Max. up to 128 MB
Display Interface	1 x VGA 1 x LVDS; 18/24-bit single/dual channel

Packing List

Standard		
Quick installation guide, user's manual/utility CD, cable		
Cable		
Part Number	Description	Qty
59484500010E	44-44-40 pin IDE cable L=200mm+200mm	1
59382631000E	2 x USB 2.0 wafer cable w/ bracket, L=180mm	1
59386831000E	USB cable w/ bracket, USB x 2, 2 x 5P, P=2.54, L=175mm	1
59384500100E	Audio cable w/ bracket, P=2.0, L=450mm	1
59380000300E	COM port x 2 w/ bracket, P=1.27 x 2.54, L=300mm	1
59420040000E	ATX power cable, 6P+4P, L=150mm	1
59327200000E	VGA+PS/2 cable, P=1.27 x 2.54, L=300mm	1
59093201000E	AX93201 to AX93202 LAN cable, L=200mm	1

Ordering Information

Standard	
AX12270VEA-500 (P/N: E112270100)	PC/104 CPU module with ULV V4 Eden 500 MHz CPU, 256MB DDR2, VGA/LVDS LCD, 10/100Mbps Ethernet, and HD audio
AX12270VEA-1GE (P/N: E112270104)	PC/104 CPU module with V4 Eden 1 GHz CPU, 512MB DDR2, VGA/LVDS LCD, 10/100Mbps Ethernet, and HD audio