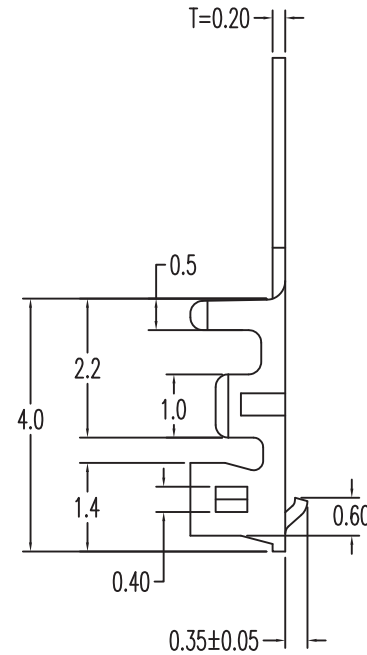
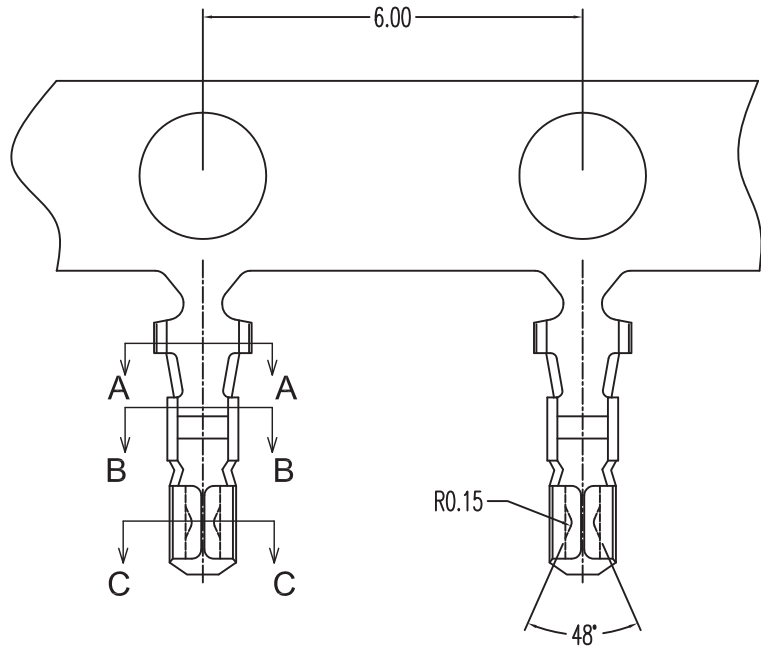


REV.	ECN.NO	REVISIONS	REV.DRAWN	DATE
E	---	增加电镀规格: 先冲后镀	CARRY	09-8/12
F	---	更正包装数量为10kpcs/reel	sunquan	11-12/26



SPECIFICATIONS

- *Voltage Rating: 50V AC/DC
- *Current Rating: 1A AC/DC
- *Withstanding Voltage: 500V AC/minute
- *Insulation Resistance: 500Ω min
- *Temperature Range: -25° C to +85° C
- *Contact Resistance: 20mΩ max

TERMINAL

*Part No: JS-1173-TXX

Blank: Ni<10 μ", Sn>50 μ" 先镀后冲
2: Ni>30 μ", Sn>100 μ"

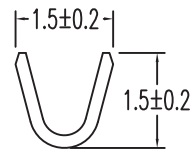
*Applicable Wires: AWG#28~32

*Material: Phos.Bronze

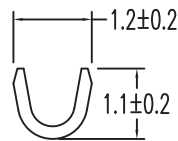
*Finish: Tin Plated

*Thickness: 0.2mm

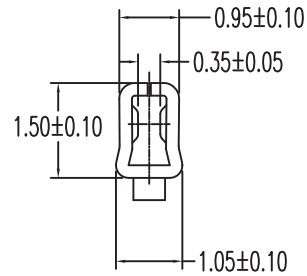
*Q'ty: 10,000pcs./Reel



A-A SEC



B-B SEC



C-C SEC

符合环境管理物质

X. ϕ 0.40	X.' ϕ 5'	UNITS	MM	NAME(INTENDED USE)	乔讯电子(上海)有限公司 CHYAO SHIUNN ELECTRONICS(SHANGHAI)CO.,LTD.
.X ϕ 0.30	.X' ϕ 2'	MAT'S		CUSTOMER	
.XX ϕ 0.20	.XX' ϕ 1.0'	SEE NOTE		PART NO.(INTENDED USE)	TITLE:
.XXX ϕ 0.10	---	FINISH		JS-1173-TXX	Wire to board connectors
THESE DRAWINGS AND SPECIFICATIONS ARE THE PROPERTY OF CHYAO SHIUNN ELECTRONIC CO.,LTD.AND SHALL NOT BE REPRODUCED, COPIED OR USED IN ANY MANNER WITHOUT THE PRIOR WRITTEN CONSENT OF CHYAO SHIUNN ELECTRONIC CO.,LTD.				APPV'D	DWG NO.
				CHK'D	020-0044-1173-TXX
				Q'TY	SCALE
				DR': CARRY	09.8.12
					SHEET
					1/1
					REV
					F

