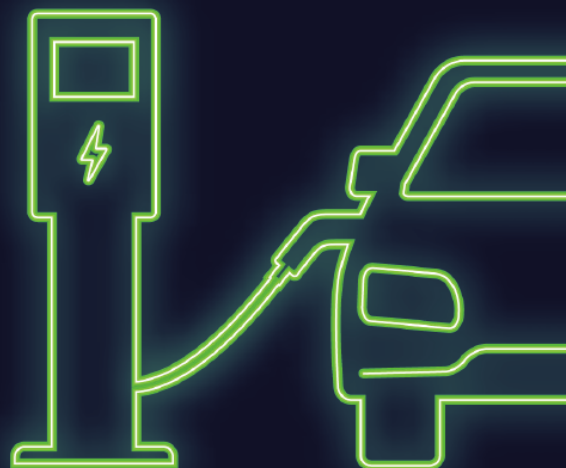
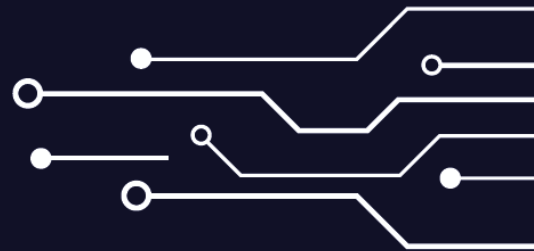
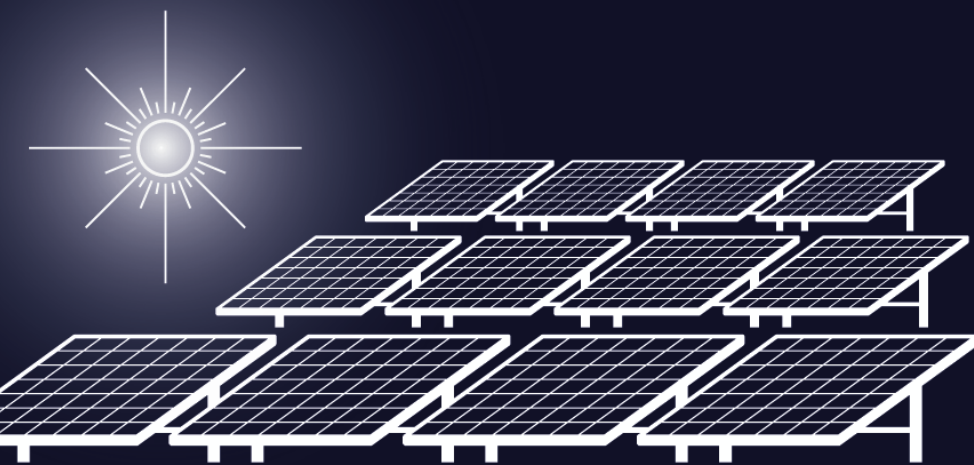


POTENS
SEMICONDUCTOR



SiC MOS / SiC SBD

650V-1700V



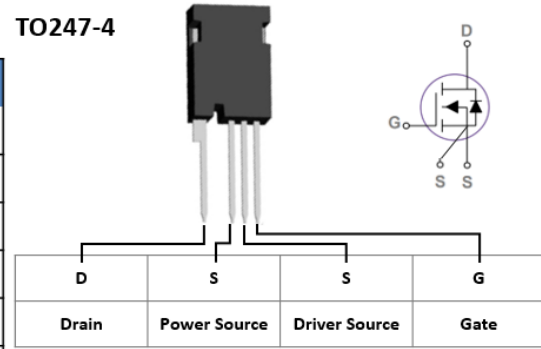
SiC MOSFET Product List



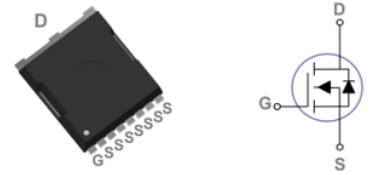
Silicon Carbide MOSFET

P/N	Package	BVDSS	RDSON
PDX017C065Z	TO247-3	650V	17mΩ
PDX030C065Z	TO247-3	650V	30mΩ
PDX050C065Z	TO247-3	650V	50mΩ
PDX018C120Z	TO247-3	1200V	18.5mΩ
PDX030C120Z	TO247-3	1200V	30mΩ
PDX040C120Z	TO247-3	1200V	40mΩ
PDX080C120Z	TO247-3	1200V	80mΩ
PDX150C120Z	TO247-3	1200V	150mΩ
PDX020C170Z	TO247-3	1700V	20mΩ
PDX040C170Z	TO247-3	1700V	40mΩ
PDT080C120Z	TOLL	1200V	80mΩ
PDX018C120Z-F	TO247-4	1200V	18.5mΩ
PDX030C120Z-F	TO247-4	1200V	30mΩ
PDX040C120Z-F	TO247-4	1200V	40mΩ
PDX080C120Z-F	TO247-4	1200V	80mΩ

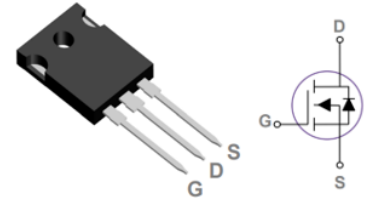
TO247-4



TOLL



TO247-3



SiC SBD Product List



Silicon Carbide Schottky Barrier Diode

- 650V
- ▲ 1200V
- 1700V

TO247-3L	● PCX20SD065R ● PCX40SD065R ▲ PCX20SD120R ▲ PCX30SD120R ▲ PCX40SD120R
TO247-2L	■ PCX10S120R-T ● PCX16S065R-T ● PCX20S065R-T ● PCX40S065R-T ● PCX50S065R-T ▲ PCX15S120R-T ▲ PCX20S120R-T ▲ PCX40S120R-T
TO263-2L	● PCH02S065R ● PCH04S065R ● PCH06S065R ● PCH08S065R ● PCH10S065R ● PCH16S065R ● PCH20S065R
TO220F-2L	● PCF02S065R ● PCF04S065R ● PCF06S065R ● PCF08S065R ● PCF10S065R
TO220-2L	● PCP02S065R ● PCP04S065R ● PCP06S065R ● PCP08S065R ● PCP10S065R ● PCP16S065R ● PCP20S065R ▲ PCP02S120R ▲ PCP04S120R ▲ PCP06S120R ▲ PCP08S120R ▲ PCP10S120R ▲ PCP15S120R ▲ PCP20S120R
TO252-2L	● PCD02S065R ● PCD04S065R ● PCD06S065R ● PCD08S065R ● PCD10S065R ▲ PCD02S120R ▲ PCD04S120R ▲ PCD06S120R ▲ PCD08S120R



Notes : Products in orange text are under development



<https://www.potens-semi.com>

2023 @ Copyright Potens semiconductor corp.