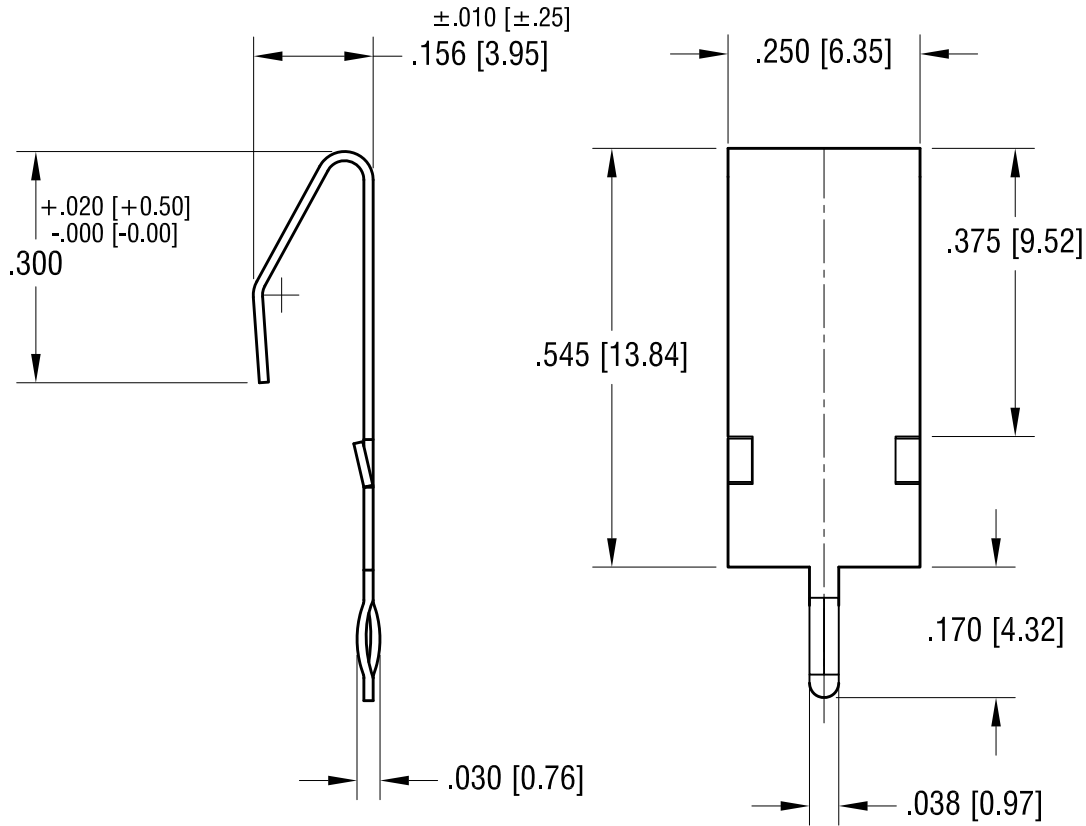


THIS DOCUMENT IS THE PROPERTY OF
KEYSTONE ELECTRONICS CORP. AND
SHALL NOT BE REPRODUCED, DISTRIBUTED
OR USED AS A BASIS FOR MANUFACTURE
WITHOUT PRIOR WRITTEN PERMISSION
FROM KEYSTONE ELECTRONICS CORP.

ACTUAL SIZE



NOTE:

1. MOUNTING HOLE 0.47 [1.20] DIA.

11.19.20	CHANGE AS PER ECN 20-092	C
9.08.15	CHANGE AS PER ECN 15-088	B
10.10.13	CHANGE AS PER ECN 13-097	A
DATE	DESCRIPTION	REV.

KEYSTONE ELECTRONICS CORP.			
www.keyelco.com • NEW HYDE PARK, NY 11040 • Tel (516) 328-7500			
PART NAME		THM BATTERY CONTACT	
MATERIAL		.012 [0.30] TH'K STAINLESS STEEL	
FINISH		DRN BY	DATE
TIN NICKEL PLATE		NT	1.06.11
		APP'D	SCALE
TOLERANCES INCH [MM]		LN	4X
		DWG NO.	
DECIMAL	$\pm .005$ [± 0.13]	CODE	1017-1
ANGULAR	$\pm 1^\circ$	C	
UNLESS OTHERWISE SPECIFIED			