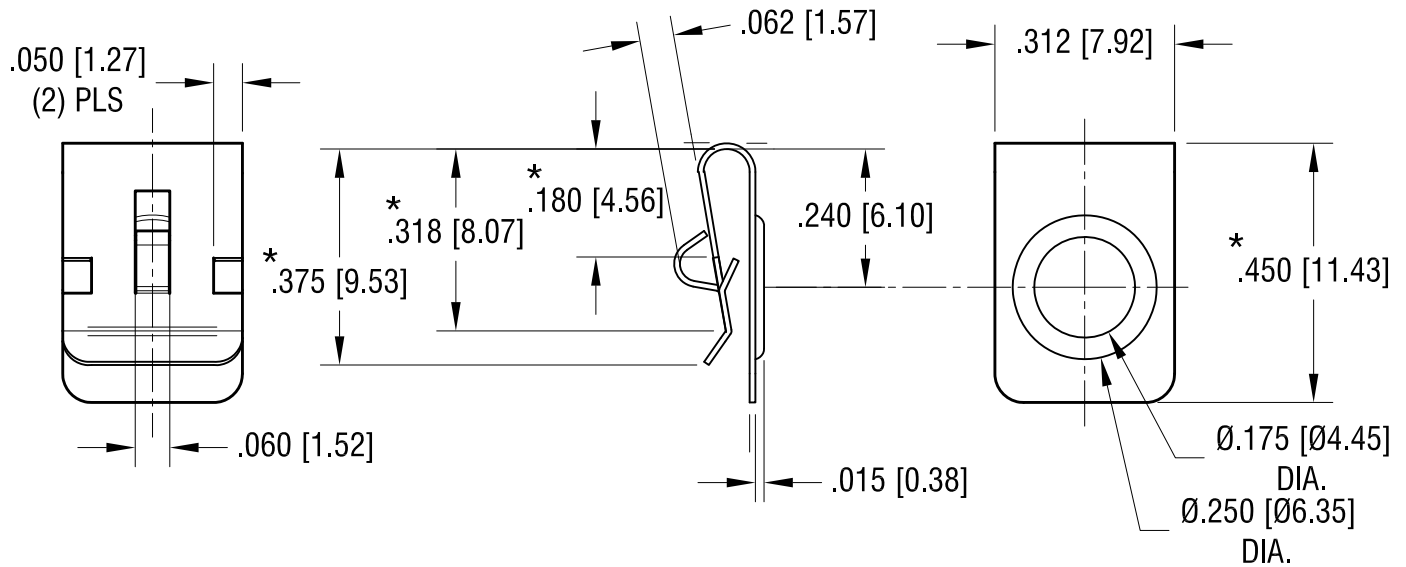
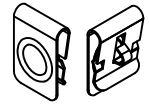


ACTUAL SIZE



NOTE:

1. DESIGNED TO CLIP OVER PANEL  
FROM .060 [1.52] THRU .070 [1.78] TH'K
2. \* DENOTES  $\pm .015$  [ $\pm 0.38$ ] TOLERANCE

3.10.23	CHANGE AS PER ECN 23-035	M
12.21.16	CHANGE AS PER ECR 16-090	L
4.14.16	CHANGE AS PER ECN 16-046	K
3.19.13	CHANGE AS PER ECN 13-028	H
8.14.12	ECN 12-104, CHANGE LOOP	G
3.23.07	CHANGE AS PER ECN 07-15	F
DATE	DESCRIPTION	REV.

<b>KEYSTONE ELECTRONICS CORP.</b>			
www.keyelco.com • NEW HYDE PARK NY 11040 • Tel (516)328-7500			
PART NAME		SINGLE 'A'-AA CONTACT	
MATERIAL		.010 [0.25] TH'K STAINLESS STEEL	
FINISH		DRN BY	DATE
NICKEL PLATE		BOONE	2.3.98
		APP'D	SCALE
		RH	3X
TOLERANCES	INCH [MM]	CODE	DWG NO.
DECIMAL	$\pm .010$ [ $\pm .025$ ]	C	<b>228</b>
ANGULAR	$\pm 1^\circ$		
UNLESS OTHERWISE SPECIFIED			