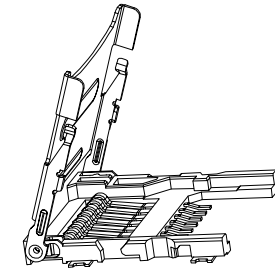
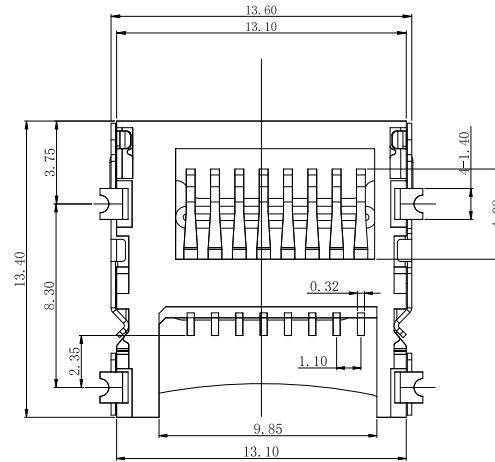
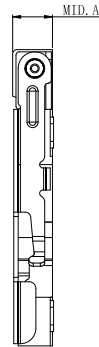
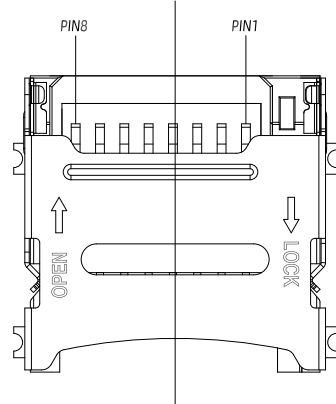
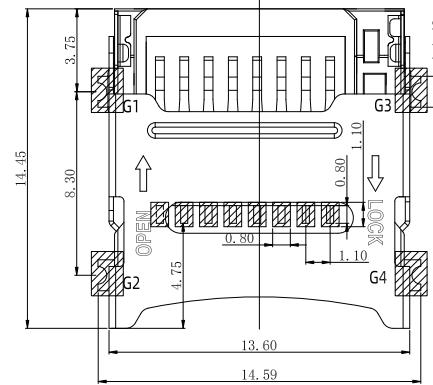
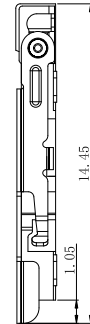
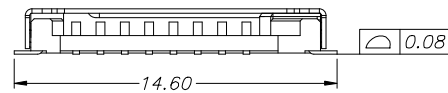


RoHS

REV.	EC#	DESCRIPTION	DATE	DRAWING	CHECKED	APPROVED
A0		NEW RELEASE	2019.03.28	Michael	Mark	Cornelia



SLIDE SHELL OPEN / SLIDE SHELL LOCK



RECOMMENDED PCB LAYOUT
TOLERANCE ±0.05

G1-GN pin is defined as GND

NOTES:

1. MATERIAL:

- 1). HOUSING MATERIAL: THERMOPLASTIC UL94V-0; COLOR: BLACK
- 2). CONTACT MATERIAL: COPPER ALLOY, T=0.15mm
- 3). SHELL MATERIAL: STAINLESS STEEL, T=0.20mm

2. FINISH:

- 1). CONTACT FINISH: 50u"min. NICKEL UNDER PLATED, PLATED 3u" Au ON CONTACT AREA; TIN-PLATED HIGH-TEMPERATURE 80u"-120u" ON SOLDER AREA.
- 2). SHELL FINISH: Cleaning.

3. ELECTRICAL SPECIFICATIONS:

- 1). OPERATING VOLTAGE: 250V(AC/DC).
- 2). CURRENT RATING: 0.5A.
- 3). OPERATING TEMPERATURE: -20°C~+65°C.
- 4). INSULATION RESISTANCE: 1000M OHMS min. at 250VDC.
- 5). DIELECTRIC WITHSTANDING VOLTAGE: 500VAC/1minute.
- 6). CONTACT RESISTANCE: 100m OHMS max.

PIN NO.	NAME
1	DAT2
2	CD/DAT3
3	CMD
4	VDD
5	CLK
6	VSS
7	DATO
8	DAT1

PLEASE CONTACT WELINK SALES REPRESENTATIVE
TO VERIFY PRODUCT DETAILS & AVAILABILITY

MILLIMETERS	INCH	UNITS
X. ± 0.2	X.° ± 5°	MM
.X ± 0.15	.X° ± 2°	MAT'L
.XX ± 0.1	.XX° ± 1°	SEE NOTES
.XXX ± 0.01	.XXX° ± 0.5°	FINISH
		SEE NOTES
		QTY
		SEE NOTES

THESE DRAWINGS AND SPECIFICATION ARE WELINK
SHENZHEN WELINK ELECTRONICS CO.,LTD
COPIED OR USED IN ANY MANNER WITHOUT WELINK
SHENZHEN WELINK ELECTRONICS CO.,LTD

WECNN 深圳市微连电子有限公司
ShenZhen Welink Electronics Co.,Ltd

PART NUMBER:		TITLE:	
WL-TF180-008		TF卡座 掀盖式 1.8H	
DWG NO.:		APPD:	Cornelia
WL-TF180-008		CHKD:	Mark
SCALE	SHEET	REV.	DR:
1:1	1/1	A1	Michael