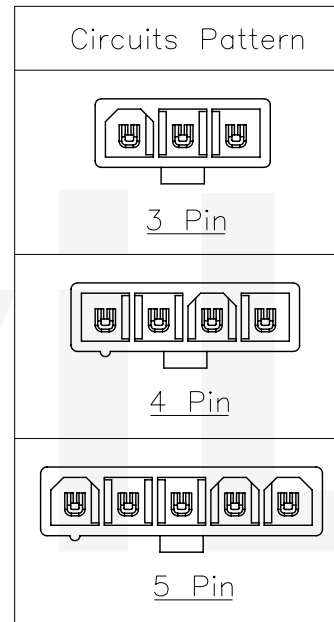
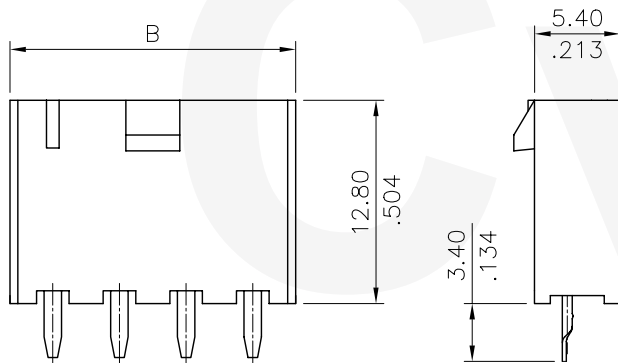


Material:
 * Insulation: Nylon 66, Color Nature
 * Contact: Brass

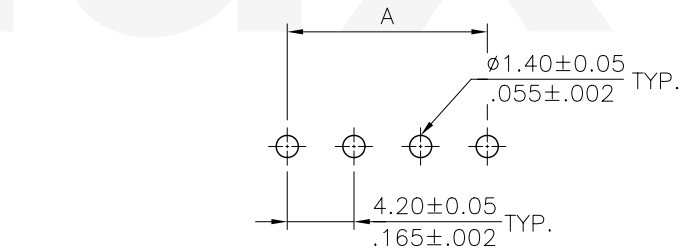


Circuits	Dimension	
	A	B
3	8.4(.331)	13.8(.543)
4	12.6(.496)	18.0(.709)
5	16.8(.661)	22.2(.874)

Ordering Code:

CP-01 ① ② ③ ④ ⑤ ⑥
 ① ② ③ ④ ⑤ ⑥

- ① Series No.
- ② Type of Connector:
3= Straight PCB mount header
- ③ No of Circuits:
- ④ Plating Code:
1= 2.54μm(100μ") Tin over 1.02μm(40μ") Nickel
2= Gold flash plated over 1.27μm(50μ") Nickel
B= Selective 0.38μm(15μ") gold plated over 1.27μm(50μ") Nickel
C= Selective 0.76μm(30μ") gold plated over 1.27μm(50μ") Nickel
- ⑤ Variation:
1= UL 94V-2, Without mounting pegs With Drain holes
3= UL 94V-0, Without mounting pegs With Drain holes
6= UL 94V-2, Without mounting pegs Without Drain holes
7= UL 94V-0, Without mounting pegs Without Drain holes
- ⑥ S= Single Row Header



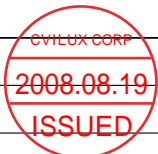
Recommended P.C. Board Layout

Halogen-Free

Tin-Lead Process

RoHS Compliant

SYM	NAME	DATE	REVISIONS	APPROVED BY:	DATE	UNIT: mm / inch
④	Sandy	9/19-08'	ECN08463			
③	Sandy	5/12-08'	ECN08219	DRAWN BY: Sandy	9/19-08'	TOLERANCE UNLESS OTHERWISE SPECIFIED
②	Hank	1/14 08'	ECN08022	ENGINEER: Eisley	9/19-08'	.X ± 0.38/.015 X' ± r'
①	Hank	10/4 07'	ECN07412	CHECKED BY: Alex	9/19-08'	.XX ± 0.25/.010 .X' ±
				APPROVED BY: Alex	9/19-08'	.XXX ± 0.10/.004 .XX' ±



TITLE: STRAIGHT HEADER
 CP-01 POWER CONNECTOR
 MATERIAL:
 FINISH:



瀚荃股份有限公司
 CviLux Corporation

DRAWING NO.	CP0159AE	PART NO.	CP-013**1*S
SCALE	3 / 1	SHEET	1 OF 1