

## Specification for Approval

Product Name: 30W Constant Current LED Driver  
Product Model: X6-030M043   
X6-030V043   
Rev. A.1  
Sample Date: -

CUSTOMER AUTHORIZED SIGNATURE		
Tested By	Checked By	Approved By
(Company seal)Return one copy to MOSO with approved signature and company seal.		

XiLi Songbai Road 1061, Nanshan  
Address: District, Shenzhen City, Guangdong Province, P.R.China Post Code: 518108  
TEL: 0755-27657000 FAX: 0755-27657908  
E-mail: info@mosopower.com Web site: http://www.mosopower.com

Prepared By	Checked By	Approved By





REVISION HISTORY

Version	Description of Change		Date	Notes
	Before	Now		
A.1	—	Datasheets Release	2020-05-12	



### Product Features:

- Input voltage range: 90~305Vac;
- Constant current design;
- V types output current adjustable;
- THD<10%;
- 2-in-1 dimmable: 1~10Vdc, PWM dimming;
- Output and Dimming Signal Isolating;
- Surge protection:4KV line-line, 6KV line-earth;
- Protections: Input OVP, Output OVP, SCP;
- IP67 design for indoor and outdoor applications;
- Suitable for dry / damp / wet locations;
- 5 years warranty.

### Application:

- Suitable for LED roadway lighting, plant lighting, industrial lighting, landscape lighting, etc.

### DESCRIPTION

The X6-30W is a 30W, constant-current, IP67 LED driver that operates from 90-305Vac input with excellent power factor and low THD. It is created for industrial lights, tunnel and street lights. The high efficiency of these drivers and compact metal case enable them to run cooler, significantly improving reliability and extending product life. To ensure trouble-free operation, protection is provided against input surge, input over voltage, output over voltage, and short circuit.

### MODELS

Model Number[1]	Input voltage range(Vac)	Max Output Power (W)	Output Voltage Range (Vdc)	Output current (A)	Typical Efficiency	Typical THD	Typical PF	
							115Vac	230Vac
X6-030Y043	90-305	30W	20-43	0.70	85.5%	10%	0.99	0.96

### Notes:

- [1]. Y can be M or V. Y=M means dimmable and constant current output;  
 Y=V means non-dimmable and output current adjusted by built-in potentiometer, 50%-100%Imax;
- [2]. All specifications are measured at 25°C ambient temperature, input voltage 230Vac, and the typical value tested by full load, if no specific note.

## INPUT SPECIFICATIONS

Parameter	Min.	Typ.	Max.	Notes
Input Voltage	90Vac	100-277Vac	305Vac	
Input Frequency	47Hz	50/60	63Hz	
Leakage Current	-	-	0.70mA	277Vac/60Hz
Input AC Current	-	-	0.42A	100-277Vac & full load
Inrush Current	-	-	0.1A <sup>2</sup> S	230Vac input, Ta=25°C (cold start)
Power Factor	0.97	0.99	-	115Vac, 50-60Hz, full load
	0.95	0.96		230Vac, 50-60Hz, full load
	0.90	0.94		277Vac, 50-60Hz, full load
THD	-	5%	10%	100-240Vac, 50-60Hz, 70%-100% load
	-	-	10%	277Vac, 50-60Hz, 70%-100% load

## OUTPUT SPECIFICATIONS

Parameter	Min.	Typ.	Max.	Notes
Output Current Tolerance	-8%	-	8%	
Output Current Setting Range (A) X6-030V043	0.35	-	0.7	
Total Output Current Ripple(pk-pk)	-	50%	100%	20MHz BW, full load & LED load, the ripple would be tiny different under different LED load.
Startup Overshoot Current	-	-	10%	100~277Vac & 100% Load, load is LED
No Load Output Voltage(V) X6-030Y043	-	-	60	
Line Regulation	-8%	-	8%	25°C±10°C ambient temperature, input voltage changes from 100Vac to 277Vac.
Load Regulation	-8%	-	8%	25°C±10°C ambient temperature, Input Voltage 230Vac, load changes from 60% to 100%.
Turn-on Delay Time	-	1S	3S	115Vac, 100% load
	-	1S -	2S	230Vac, 100% load

### GENERAL SPECIFICATIONS

Parameter		Min.	Typ.	Max.	Notes
Efficiency @115Vac X6-030Y043		84%	85%		Measured at full load and 25°C ambient temperature
Efficiency @230Vac X6-030Y043		85.5%	86.5%	-	Measured at full load and 25°C ambient temperature
Efficiency @277Vac X6-030Y043		85.5%	87%		Measured at full load and 25°C ambient temperature
Dielectric Strength	Input-Output	-	3750Vac	-	Max 5mA/60S
	Input-PE	-	1600Vac	-	
	Output-PE	-	1600Vac	-	
Grounding Resistance		-	-	0.1Ω	25A/60S, under 25°C±10°C ambient temperature
Insulation Resistance		50MΩ	-	-	Input-Output, Input-PE, Output-PE, 500Vdc/60S/25°C/70%RH
MTBF		-	200000Hrs	-	25°C±10°C ambient temperature, 230Vac, 80% load (MIL-HDBK-217F)
Lifetime		-	50000Hrs	-	230Vac&100% load, 75°C case temperature, refer to lifetime curve for details
Operating Case Temperature for Safety Tc_s		-40°C	-	+85°C	
Operating Case Temperature for Warranty Tc_s		-40°C	-	+75°C	5 years warranty case temperature Humidity: 10% to 95% RH
Storage Temperature		-40°C	-	+85°C	Humidity: 5% to 100% RH
Dimensions (L*W*H)mm		L102mm*W64mm*H32mm			
Net Weight		380±50g/PCS			
Package		L500mm*W310mm*H160mm; 10PCS/Ctn, Gross Weight: 8Kg			

## DIMMING

Parameter		Min.	Typ.	Max.	Notes
1~10V Absolute Maximum Voltage on the Vdim (+) Pin		-	10V	-	
1~10V Source Current on Vdim(+)Pin		-	100uA	200uA	
Dimming Output Range	X6-030M043	10%Imax	-	100%Imax	Imax=0.7A
	X6-030M043	0.07	-	0.7	
Recommended Dimming Range for 1-10V		1V	-	10V	Default 1-10V/ PWM Dimming
PWM_in High Level		9.7V	-	10.3V	
PWM_in Low Level		0V	-	0.3V	
PWM_in Frequency Range		300Hz	-	2KHz	
PWM_in Duty Cycle		10%	-	100%	

## SAFTY STANDARDS

Safety Category	Country / Territory	Standards	Approved
CCC	China	GB19510.1, GB19510.14	√
CE	Europe	EN61347-1, EN61347-2-13	√
		EN62493	√
		EN62384	√
CB	CB Countries	IEC61347-1, IEC61347-2-13	√
BIS	India	IS 15885(PART 2/SEC 13)	
UL	USA	UL 8750	√
CUL	Canada	CSA C22.2 No.250.13	√
KC	South Korea	K61347-1, K61347-2-13	
PSE	Japan	J61347-1, J61347-2-13	
SAA	Australia	AS/NZS IEC 61347.2.13	√
		AS/NZS 61347.1	√

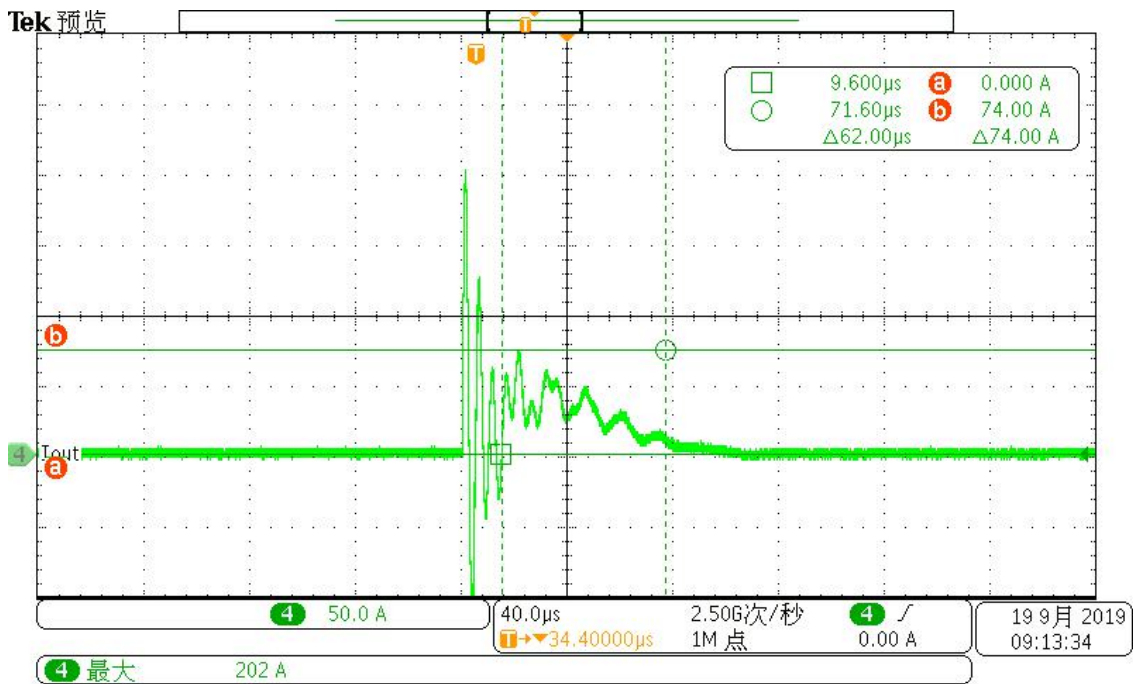
## EMC COMPLIANCE

EMC Category	Country / Territory	Standards	Approved
CCC	China	GB/T 17743, GB 17625.1	√
CE	Europe	EN 55015	√
		EN 61000-3-2, EN 61000-3-3	√
		EN61000-4-2,3,4,5,6,11	√
		EN 61547	√
KC	South Korea	K61547	
		K00015	
PSE	Japan	J55015	
FCC	USA	FCC part 15	

### NOTE:

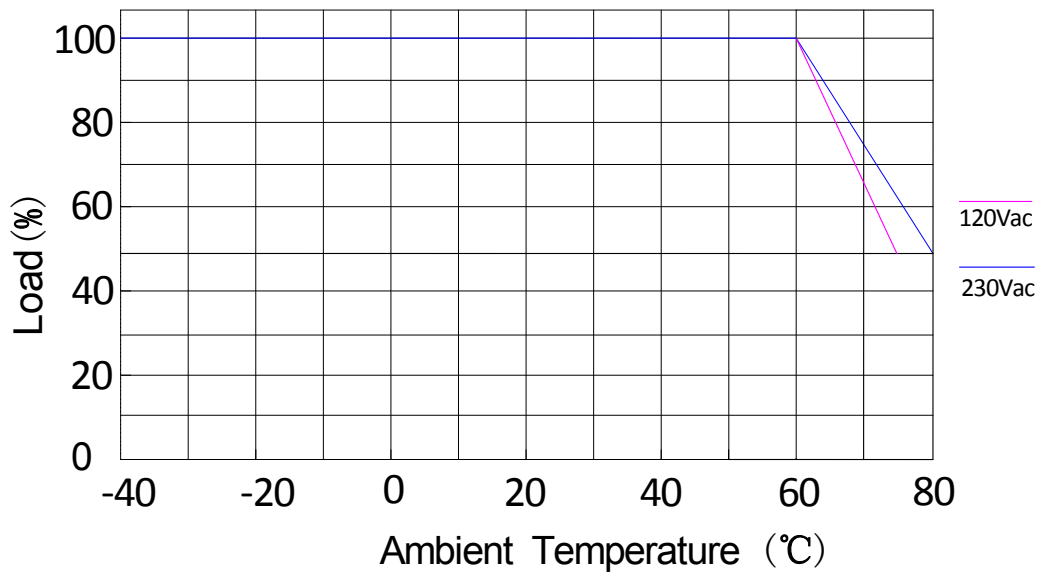
This LED driver meets the EMI specifications above, but as a component of a luminaire, end customer need to identify the EMI performance of a luminaire including LED driver, other devices connected to the driver and on the luminaire itself.

### INRUSH CURRENT WAVEFORM



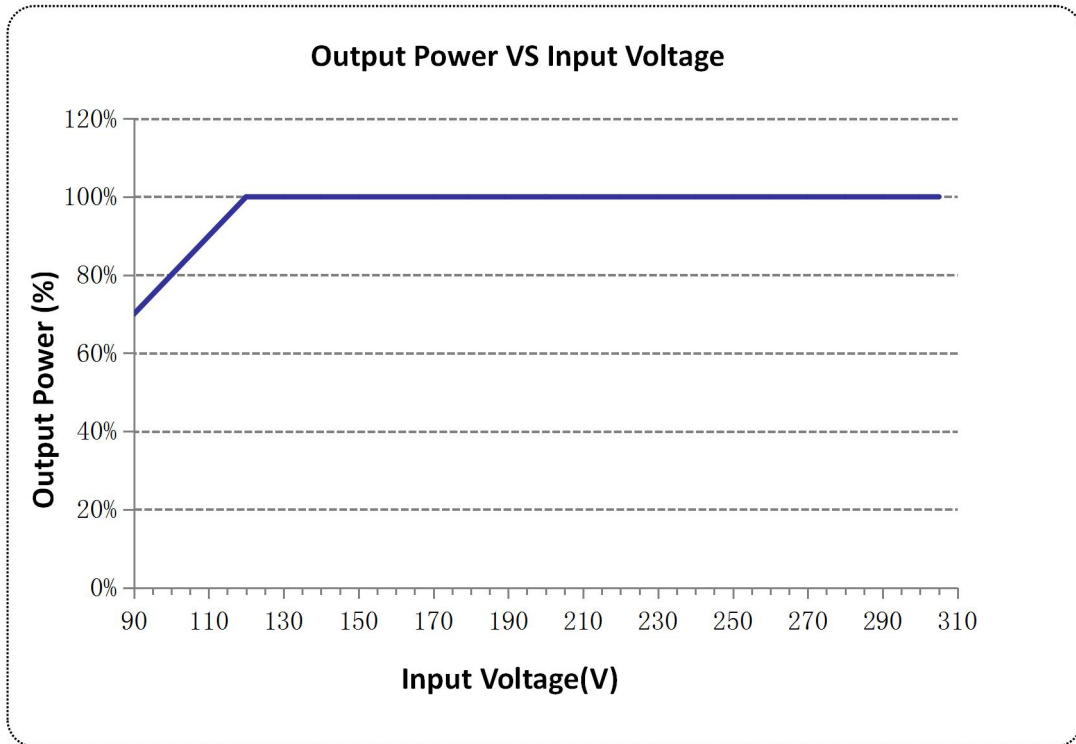
### DERATING CURVE

Derating Curve

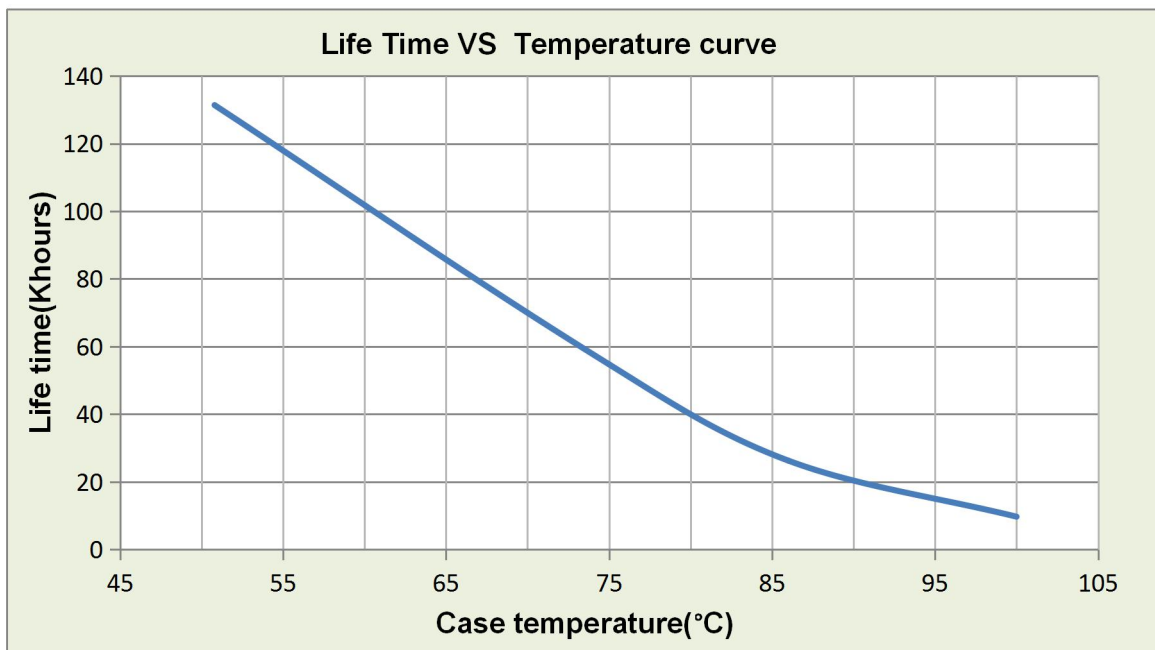




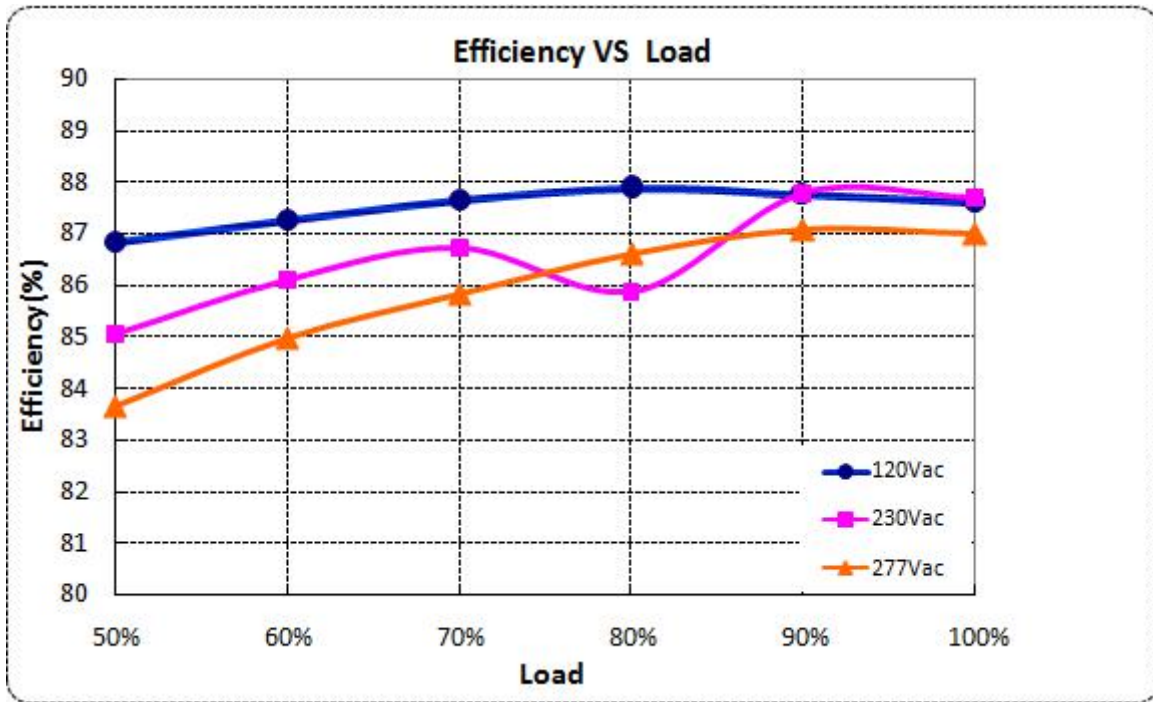
### OUTPUT POWER VS INPUT VOLTAGE



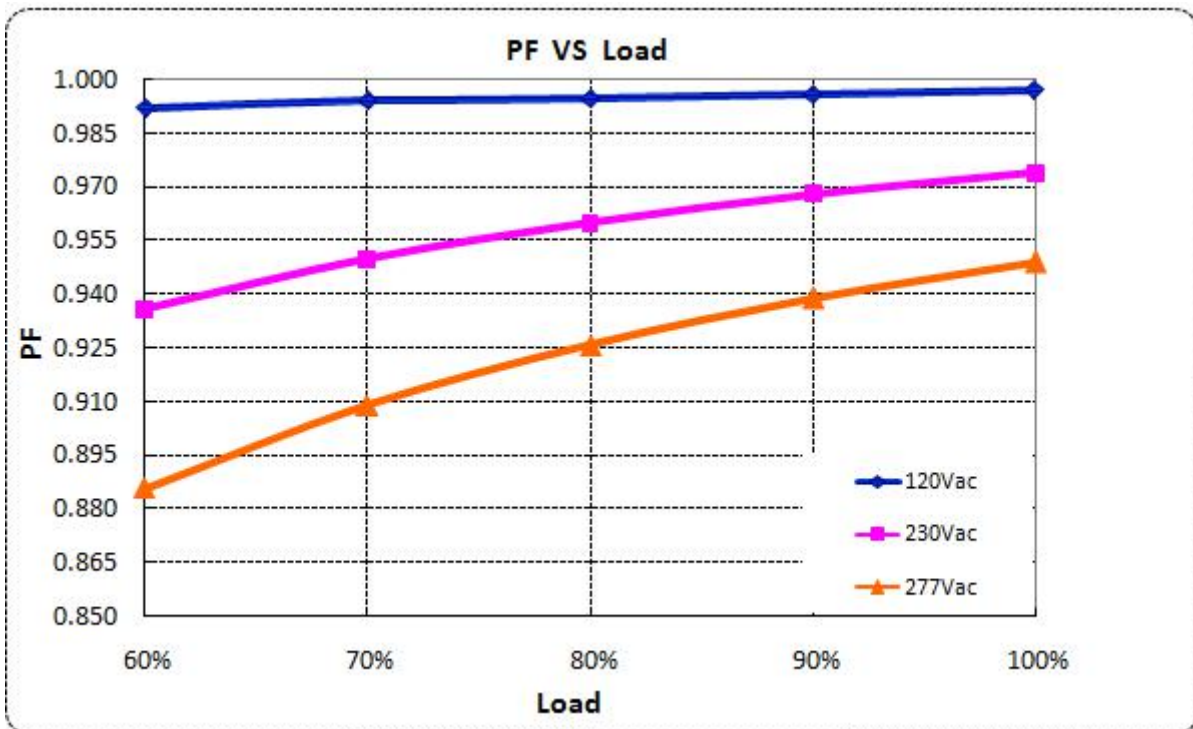
### LIFETIME VS CASE TEMPERATURE



### EFFICIENCY VS LOAD



### POWER FACTOR VS LOAD



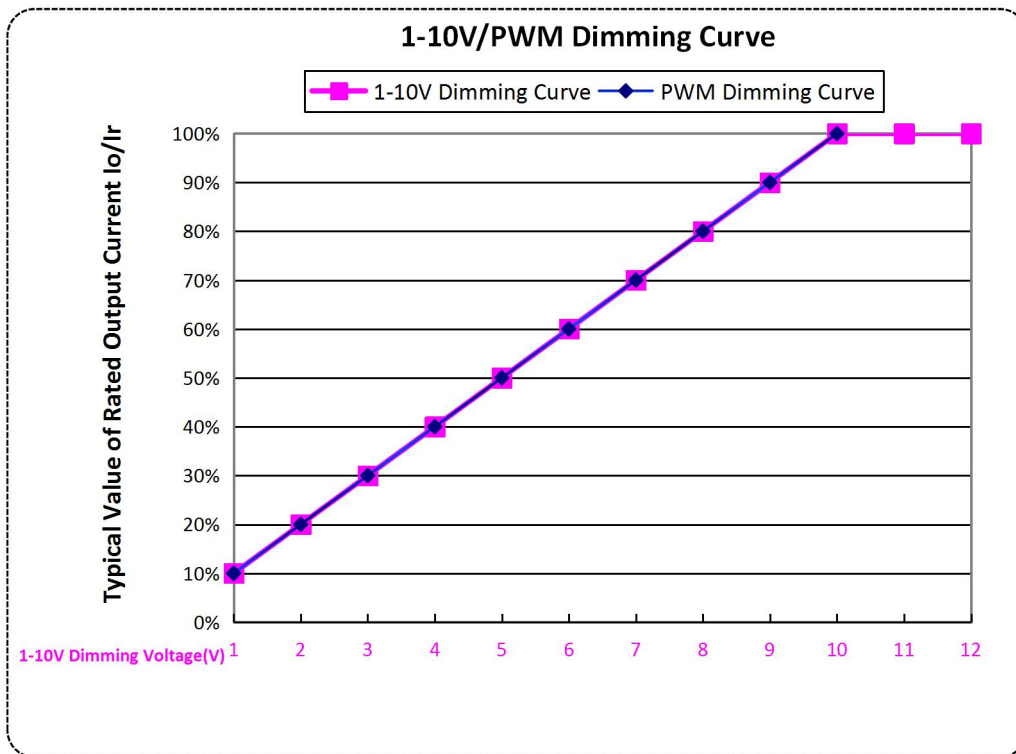
### TOTAL HARMONIC DISTORTION



### PROTECTIONS

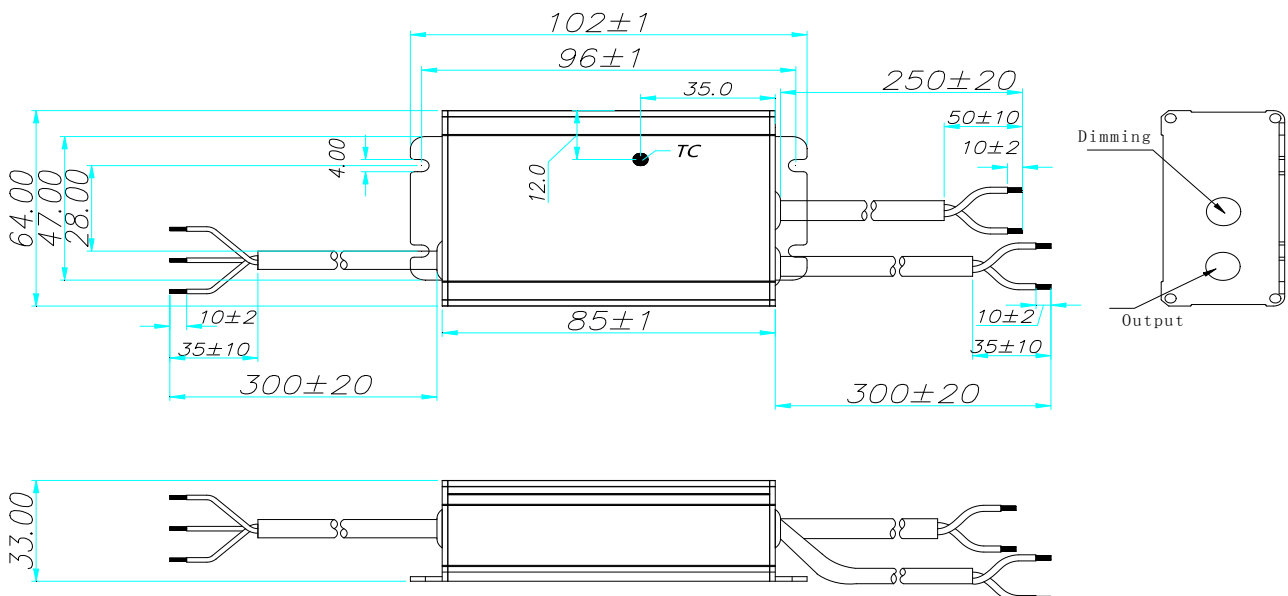
Parameter		Min.	Typ.	Max.	Notes
Input Over Voltage Protection	Input Protection Voltage	330Vac	340Vac	350Vac	Turn off the output when the input voltage exceeds protection voltage.
	Recovery Voltage	300Vac	320Vac	340Vac	Auto Recovery. The driver will restart when the input voltage falls below recovery voltage.
Output Over Voltage Protection		Limits output voltage at no load and in case the normal voltage limit fail			
Short Circuit Protection		Hiccup mode and auto recovery. No damage will occur when any output is short circuited. The output shall return to normal when the fault condition is removed.			

### 1-10V/PWM DIMMING

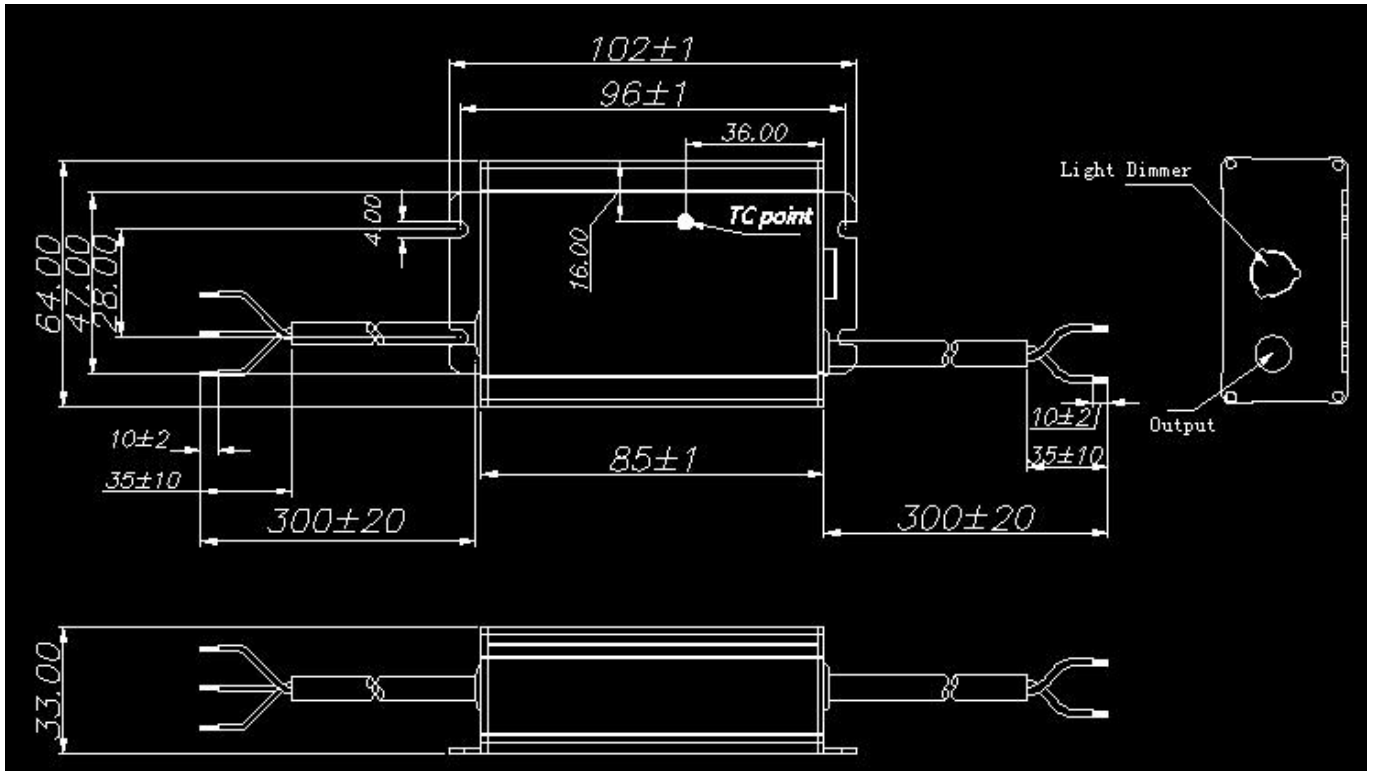


### MECHANICAL OUTLINE

X6-030M types



X6-030V types



Wire	Specification	Note
Input	CCC+VDE H05RN-F 3x1.0mm <sup>2</sup> L=300±20mm	CCC/CE
Output	CCC+VDE H05RN-F 2x1.0mm <sup>2</sup> L=300±20mm	CCC/CE
Dimming	UL2733 22AWG*2C L=250±20mm	PURPLE/GRAY

LABEL:

45.00 mm

77.00 mm

45.00 mm

77.00 mm

**INPUT**

L (BROWN 棕)

G (Y/G 黄/绿)

N (BLUE 蓝)

**MOSO<sup>®</sup> X6-030V043**

LED DRIVER  
LED 控制装置 (恒流型)

INPUT (输入)	100-240V~50/60Hz, 0.5A Max. PF:0.95 277V~ 50/60Hz, 0.2A Max (277V~ for North America only)
OUTPUT (输出)	20-43V~ 0.35-0.7A Max. (最大电压): 60V~ Max. Power (最大功率): 30W
t <sub>c</sub> : 90°C	t <sub>a</sub> : 60°C Input: 100-240V~277V~

**OUTPUT**

I<sub>o</sub> ADJ (+)

(BROWN 棕) V<sub>o</sub> +

(BLUE 蓝) V<sub>o</sub> -

**MADE IN CHINA**  
 For LED module only

Suitable for Dry, Damp and Wet locations  
 SHENZHEN MOSO ELECTRONICS TECHNOLOGY CO., LTD  
 No.1061, Songbai Road, Xili Town, Nanshan District,  
 Shenzhen, CHINA

45.00 mm

77.00 mm

**INPUT**

L (BROWN 棕)

G (Y/G 黄/绿)

N (BLUE 蓝)

**MOSO<sup>®</sup> X6-030M043**

LED DRIVER  
LED 控制装置 (恒流型)

INPUT (输入)	100-240V~50/60Hz, 0.42A Max. PF:0.95 277V~ 50/60Hz, 0.2A Max (277V~ for North America only)
OUTPUT (输出)	20-43V~ 0.07-0.7A Max. (最大电压): 55V~ Max. Power (最大功率): 30W
t <sub>c</sub> : 90°C	t <sub>a</sub> : 60°C Input: 200-240V~277V~

**OUTPUT**

(PURPLE 紫) DIM +

(GRAY 灰) DIM -

(BROWN 棕) V<sub>o</sub> +

(BLUE 蓝) V<sub>o</sub> -

**MADE IN CHINA**  
 For LED module only

Suitable for Dry, Damp and Wet locations  
 SHENZHEN MOSO ELECTRONICS TECHNOLOGY CO., LTD  
 No.1061, Songbai Road, Xili Town, Nanshan District,  
 Shenzhen, CHINA