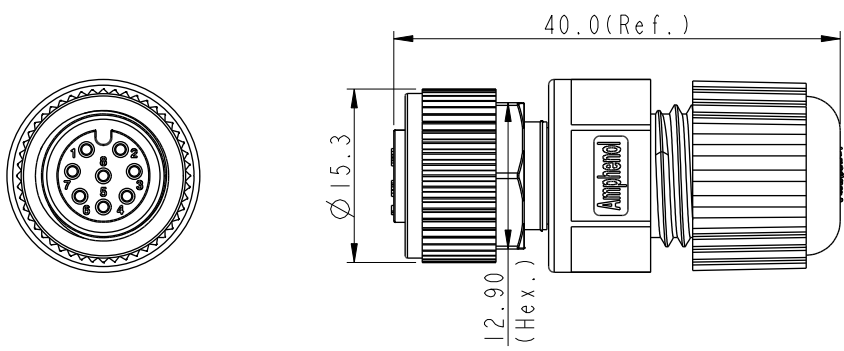
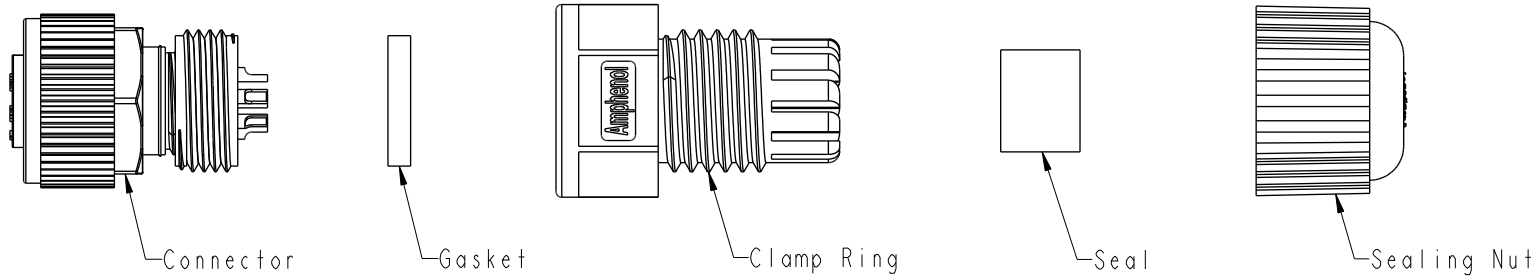


THIS DOCUMENT IS SUBJECT TO CHANGE WITHOUT NOTICE. IT IS CONFIDENTIAL AND A PROPERTY OF Amphenol LTW. DISCLOSURE TO THIRD PARTY HAS TO BE AUTHORIZED BY Amphenol LTW.

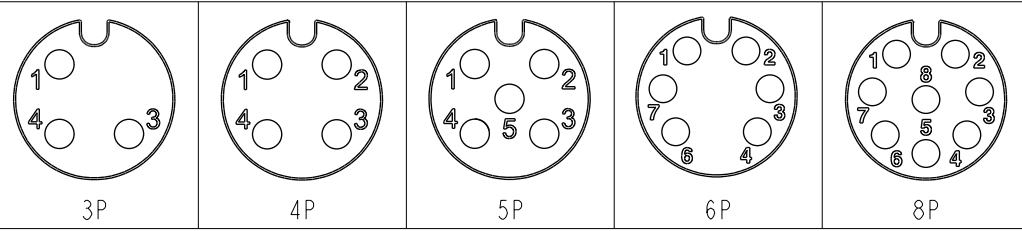
REV.	ECN NO.	DATE	SIGN	DESCRIPTION
B	C210561	2021/04/09	Vicky	$\triangle B$ X4



$\triangle B$ M12A-XXBFFA-SL8001

XX: No. Of Pin

- $\triangle B$ Note:
- * RoHS Compliant
 - * $\text{\textcircled{C}}$ Important Dimension
 - * Waterproof rate: IPX8, mated 1m/24h
 - * Connector
 - Housing: Thermoplastic, Black
 - Pin: Copper alloy, Gold plated
 - Extension Nut: Thermoplastic, Black
 - Nut: Metal
 - O-Ring: Rubber, Gray
 - * Gasket: Rubber, Gray
 - * Clamp Ring: Thermoplastic, Black
 - * Sealing Nut: Thermoplastic, Black
 - * Seal: Rubber, Gray, OD: $\varnothing 4.5\text{mm} \sim \varnothing 6.5\text{mm}$
 - * One set unassembled in one pe bag



Pin Assignments Front View

UNIT: mm	$\text{\textcircled{C}}$	$\text{\textcircled{B}}$	TITLE N SEN, M12 A, SCREW CABLE W/O SR, F, F, FI SOLDER
TOLERANCE .X ± 0.25 .XX ± 0.1 .XXX ± 0.05 ANGLES $\pm 1^\circ$	SCALE 1:1	SIZE A4	SHEET 1 OF 1
REV. B	WC-REV. A.5	$\text{\textcircled{C}}$: Inspection item	

Amphenol LTW
安費諾亮泰企業股份有限公司

ITEM NO.	DRAWN BY JC Chen	DATE 2019-08-28
DWG NO. M12A-XXBFFA-SL8001	CHECKED BY Li Feng	DATE 2019-08-28
CUSTOMER ALTW	APPROVED BY Jerry	DATE 2019-08-28