

CONNTERM

SMT,CR2032 Coin Battery Holder

Material:

Housing: LCP

Contacts: Phosphor Bronze, Gold-plated

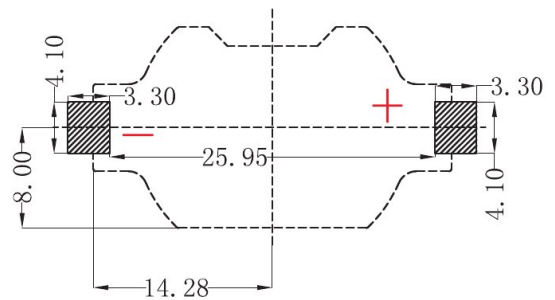
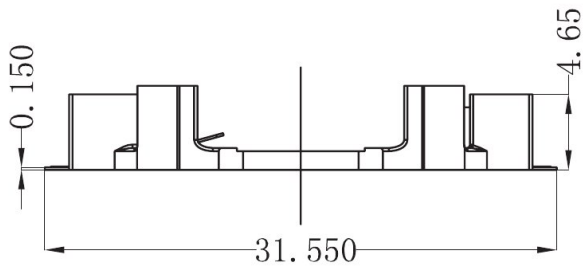
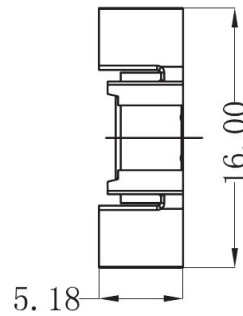
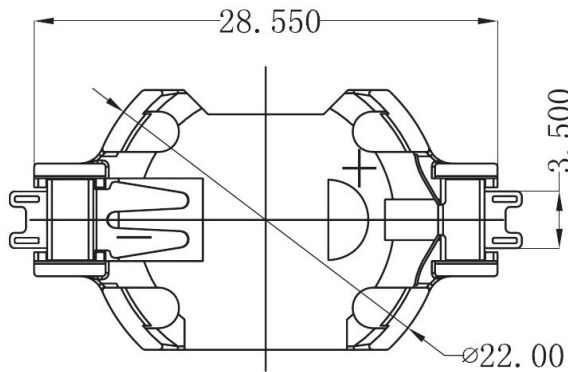
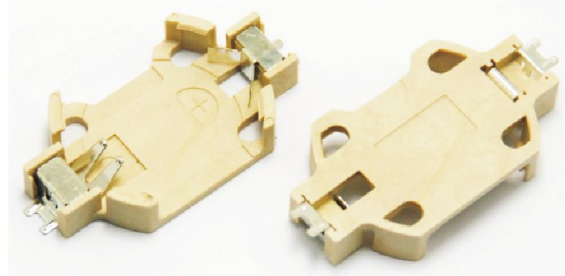
Electrical Characteristics:

Insulator Resistance: 1000M Ohm min.

Contact Resistance: 30m Ohm max.

Dielectric voltage: 500V AC

Operating Temperature: -25°C~+85°C



PCB Layout Diagram
Top View