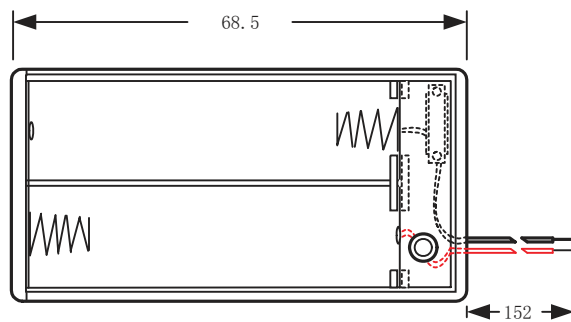


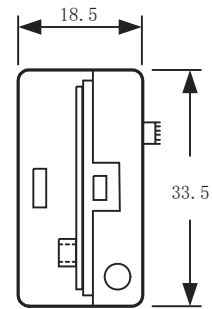
CONNTHERM

UM-3 OR "AA" Cell Box Series

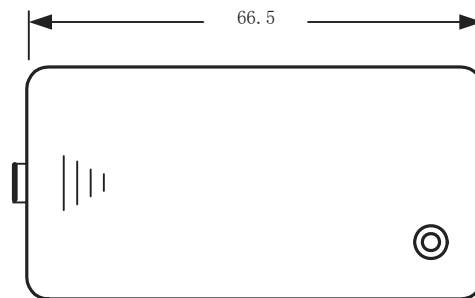
WIRE: UL 1007, # 26 AWG
BLACK & RED: 150 MM 5MM
STRIP & TIN: 5 MM 1MM
MATERIAL: A. B. S. RESIN, BLACK COLOR
SPRING: .6 MM 65C SPRING WIRE
DESCR: FOR TWO "AA" CELLS, ON-OFF Sliding Switch
WITH COVER & SCREW
SERIES CONNECTION, 3 VOLTS



HOLDER



END VIEW



COVER