



## AMR20

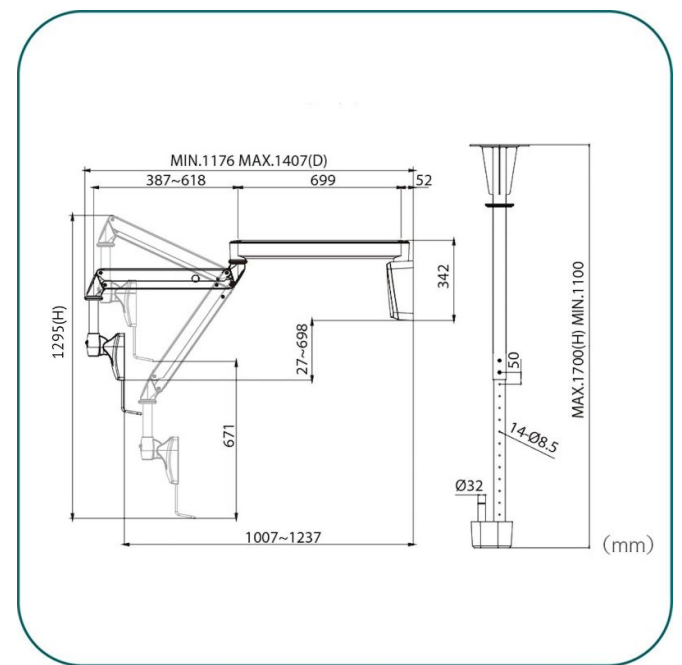
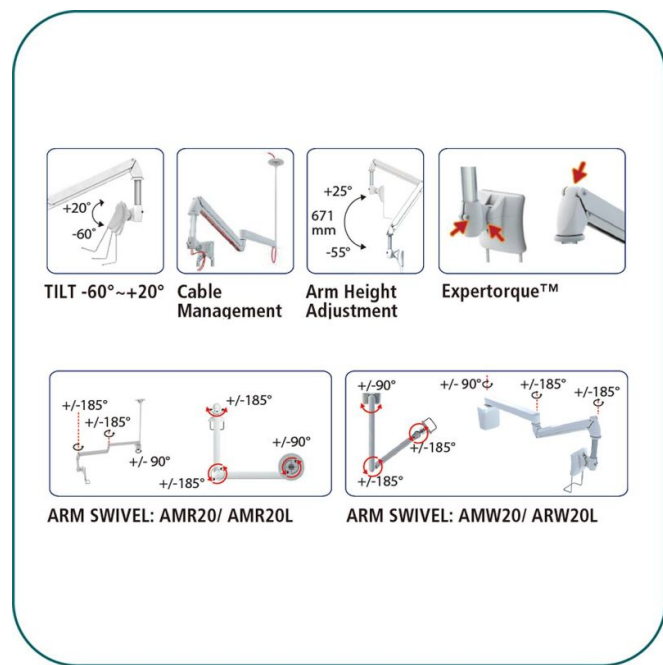
### Cantilever Medical ARM - Ceiling Type

Aavara is proud to present the Ceiling Cantilever Medical ARM. It's a professional design with Ergonomic Expertorque™ Technology for the well-being of Healthcare Industry. It equipped two swivel and tilt display mount up to 24 inch with VESA Mounting 100x100mm.

Optimized for ergonomic cantilever medical arm and features height adjustment range up to 671mm/ 26.42 inch. Market application in Healthcare, Medical Center, Institute as well as wherever needs a long adjustable arms for best viewing angle.



[← Main Page](#)



### FEATURES

- Professional design with Ergonomic Expertorque™ Technology for the well-being of Healthcare Industry
- Adjustable Cantilever Medical ARM
- Display features Tilt -60° ~ +20° and Swivel +/-185°
- Arm Tilt range -55°(down) ~ +25°(up) for best viewing angle
- Arm full extension up to 1,504 mm/ 59.21"
- ExperTorque™ design for easy adjustment hinged by display weight
- Smart Cable Management System to align messy cables in order

**ULTRA LOAD MODEL: Loading Capacity up to 12kgs**  
Model No. [AMR20L](#)

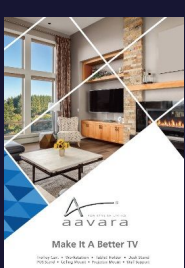
### SPECS.

- Flat Panel Size: 15"-24"/ 38-61cm
- Loading Capacity: 2.5~6.5kg
- VESA: 100x100/75x75mm
- Display TILT: -60° ~ +20°
- Swivel: +/-185°
- Pivot 360°
- Extended Arm: 2
- Arm full extension: 1,504 mm/ 59.21"
- Arm Height Adjustment Range: 671mm/ 26.42"
- Arm TILT: -55°(down) ~ +25°(up)
- ExperTorque™ Technology: Yes
- Smart Cable Management: Yes
- Material: Steel/ Aluminum Alloy/ Plastic

SHARE THIS PAGE!



[All Trolley Cart Solution](#)



Catalog

### Mounting Systems

- [Trolley Cart](#)
- [WorkStation](#)
- [Tablet Holder](#)
- [Monitor Desk Stand](#)
- [POS Stand](#)
- [Ceiling Mount](#)
- [Projector Mount](#)
- [TV Wall Support](#)

### 4K/ HDMI Solution

- [4K Over IP](#)
- [HDMI Over IP](#)
- [HDMI/KVM Over IP](#)
- [HDMI Over Cat6 Broadcaster](#)
- [HDMI Over Coax](#)

### SUBSCRIBE

Get new product updates and free resources.

[Subscribe](#)

