



Optics
Shinland

Each Ray is brighter in Shinland

SL-E-025EA

Details

Material:	URC2500
Cover Material:	PC
Process:	Vaccum Aluminum Plating PC
Length:	27.4mm
Width:	27.4mm
Height:	21.9mm
Matched Cover:	SL-E-025EA-COVER-00
ROSH Compliant:	YES
Status:	Ready

Optical Properties

Code	Typ. Angle	Typ. efficiency
SL-E-025EA-S	12°	90%
SL-E-025EA-F	34°	90%
SL-E-025EA-W	48°	90%

Matched LED Source

XPH35
XP-L
XP-G2/3
XP-E2

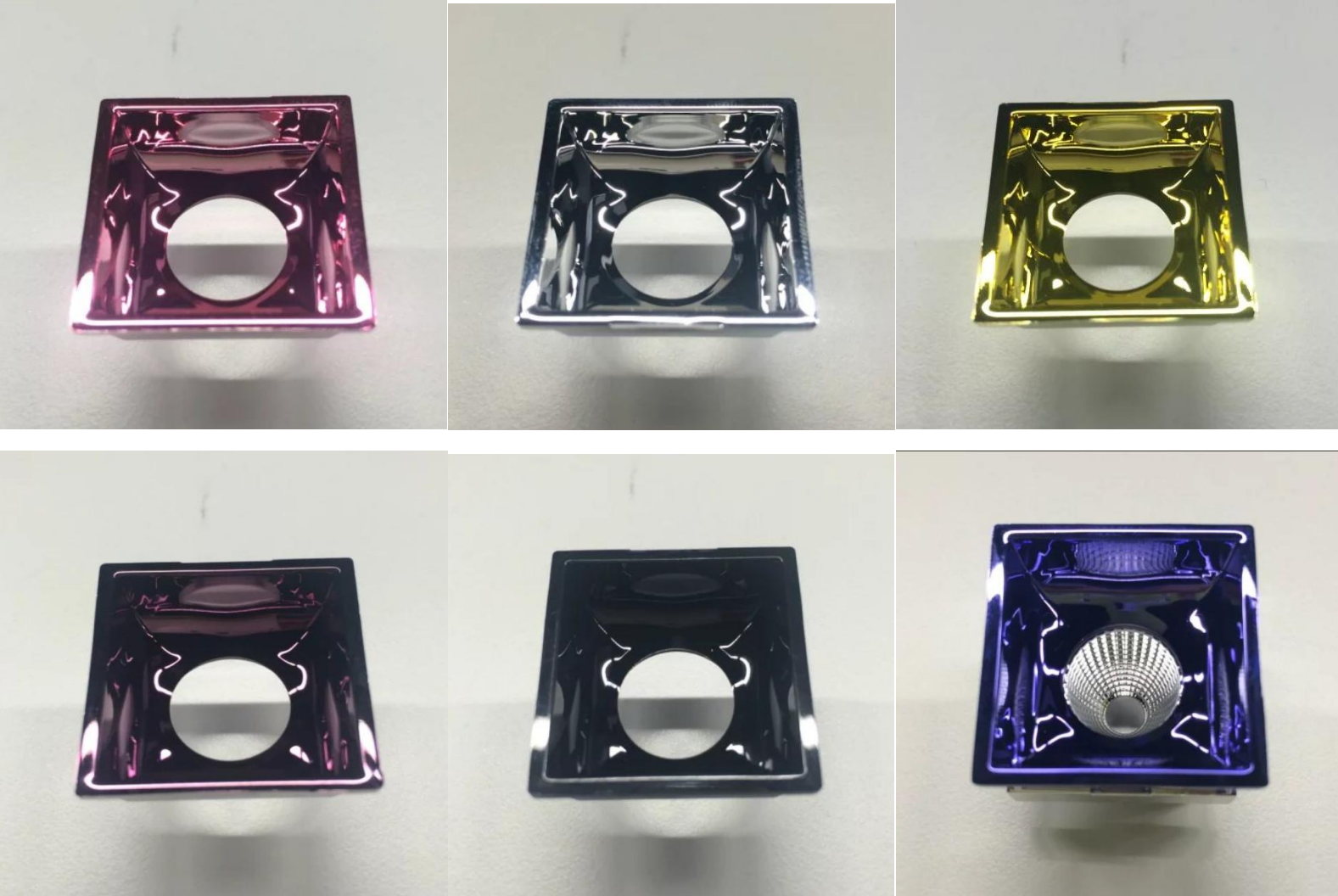
Oslon

LUXEON T
LUXEON TX
LUXEON REBEL ES

Photo



COLORFUL PLATING SL-E-025EA-COVER-00



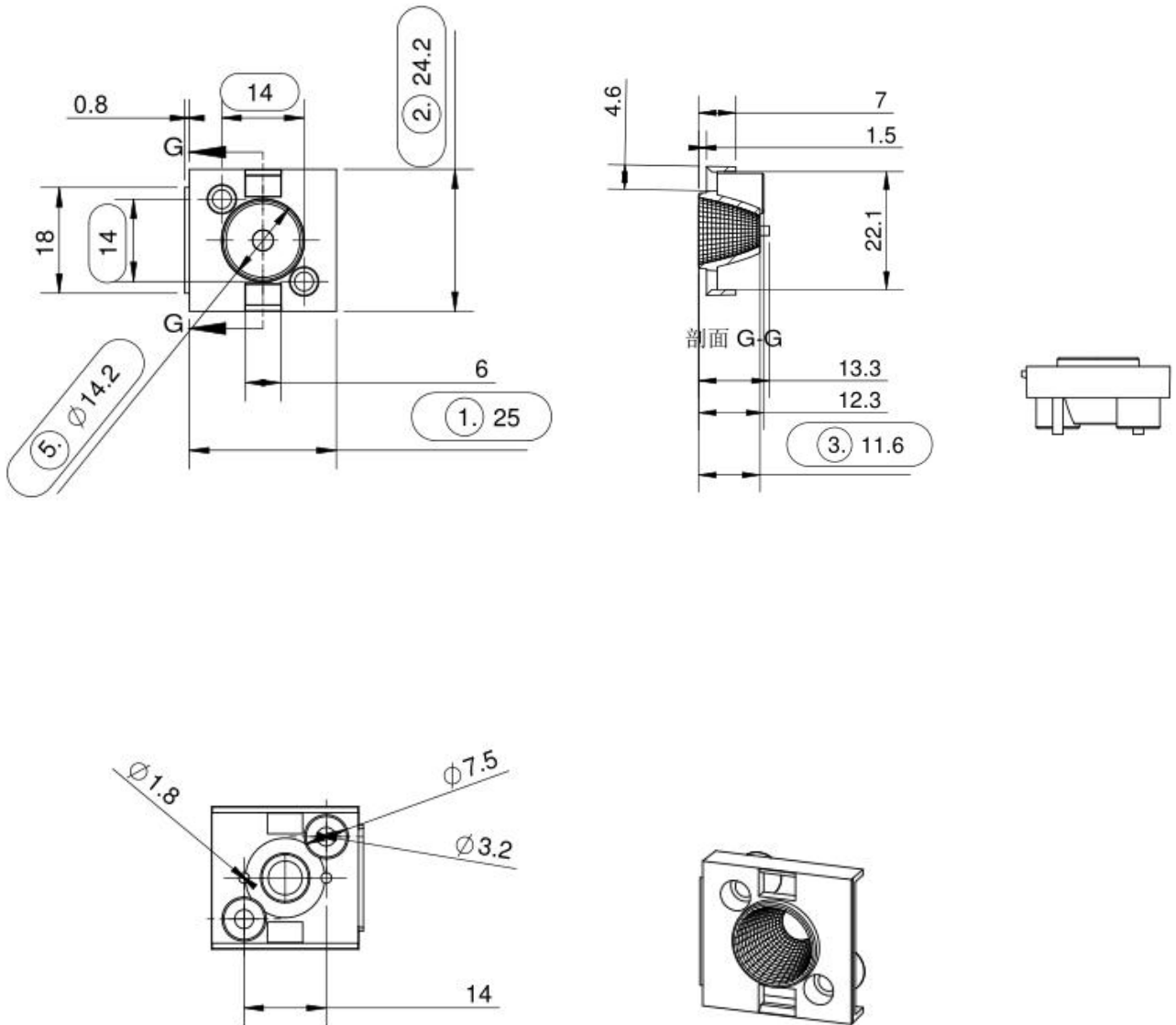
电镀颜色可以根据提供的色板定制

Plating color can be customized according to the color palette provided

Dimensional Figure

SL-E-025EA

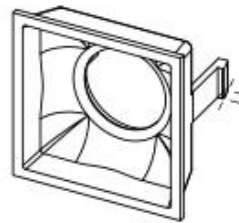
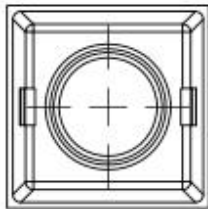
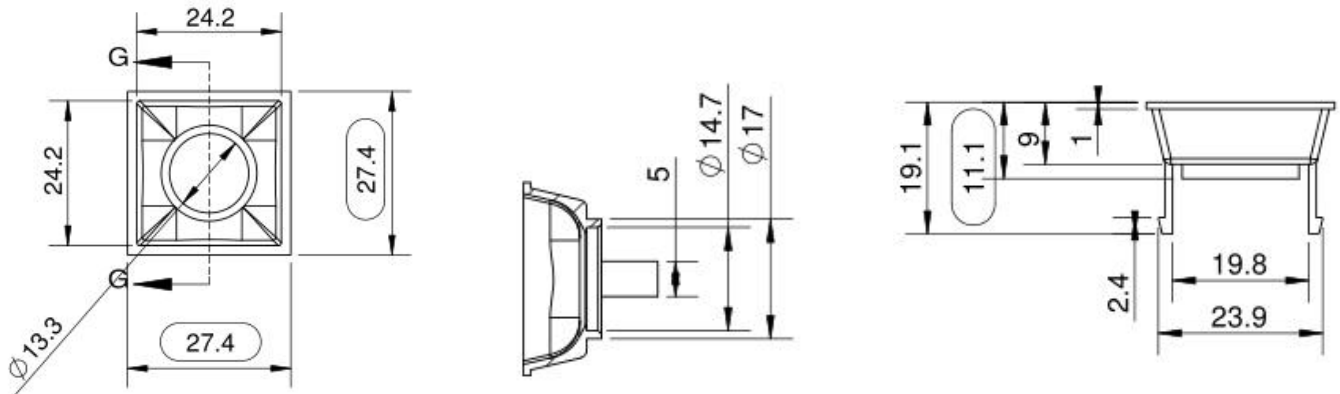
Measure Unit: mm



Dimensional Figure

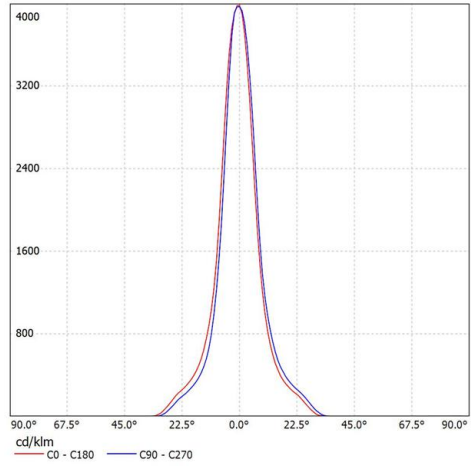
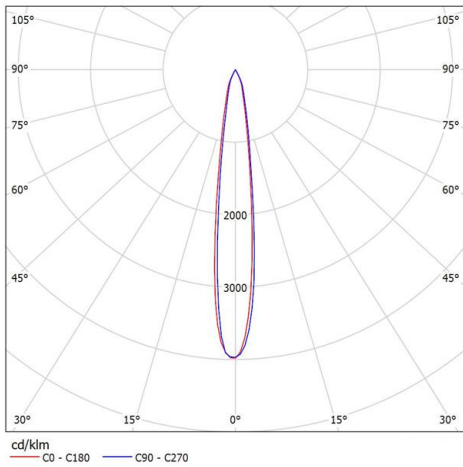
SL-E-025EA-COVER-00

Measure Unit: mm

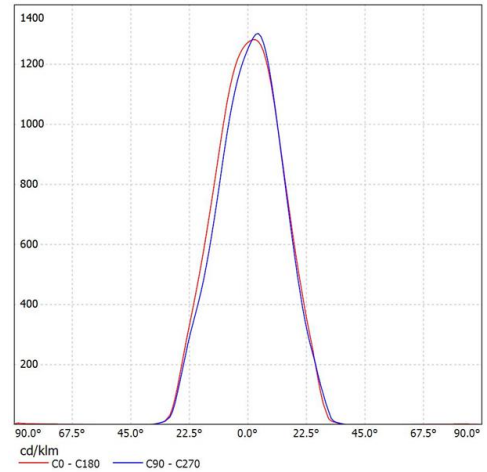
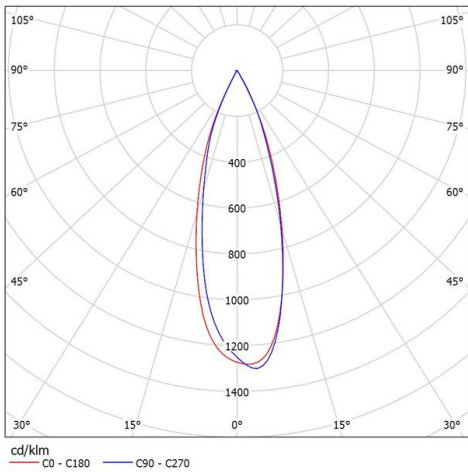


Distribution Curve Flux

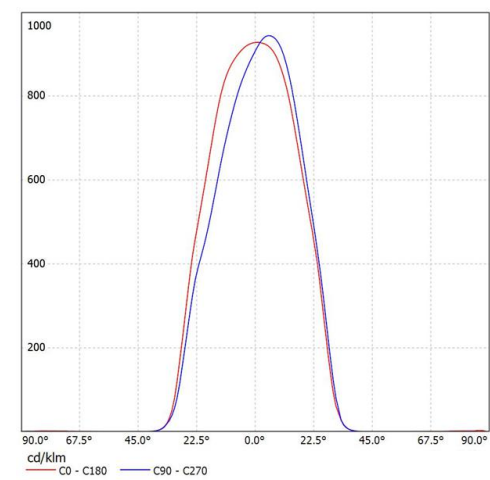
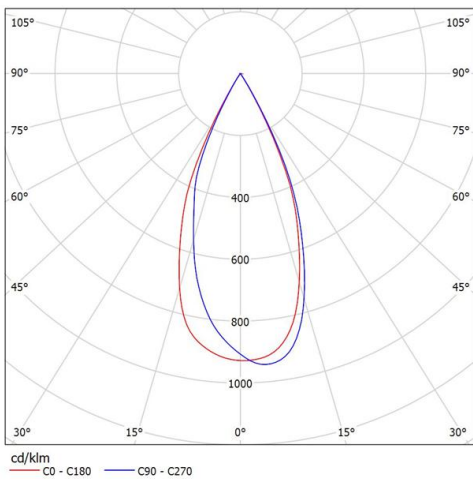
SL-E-025EA-S&SL-E-025EA-COVER-00



SL-E-025EA-S
K:9.19cd/lm,LED:CERR132



SL-E-025EA-F
K:2.97cd/lm,LED:CERR132



SL-E-025EA-W
K:2.14cd/lm,LED:CERR132

Package Description

SL-E-025EA

Part NO.	Number per Box (pcs)	Box Weigh (kg)	Box Size (cm)
SL-E-025EA-S	2520	8.68kg	60*32*40
SL-E-025EA-F	2520	8.8kg	60*32*40
SL-E-025EA-W	2520	8.87kg	60*32*40
SL-E-025EA-COVER-00	2400	6.9kg	60*32*40

Notes

- It is not allowed to scrub the reflective surface. If there is dust on the surface, please clean by soft cotton with little water.
 - It is forbidden to clean with industrial solvent such as ethanol.
 - Storage temperature: 0°C-40°C, and humidity:30%-95%.
 - Recommended operating temperature (PC) is <100°C.
 - Keep reflectors in package to void the dust.
 - Prohibit the reflector touch with acid or alkaline solvent
-

About Shinland

Shenzhen Shinland Co. Ltd,one of the longest and most professional company in lighting optical field,have 20 years experience.Different from other factory which only have simple process, all aspects included R&D,making mold,injection molding ,vacuum coating and market support are our company own vertically integrated production .

Insisting on 'Quality First, Service First' and pragmatic, enterprising spirit,building the market by quality, casting our brand by credibility and integrity ,Shinland now become the leading supplier of lighting optical solution in China.