

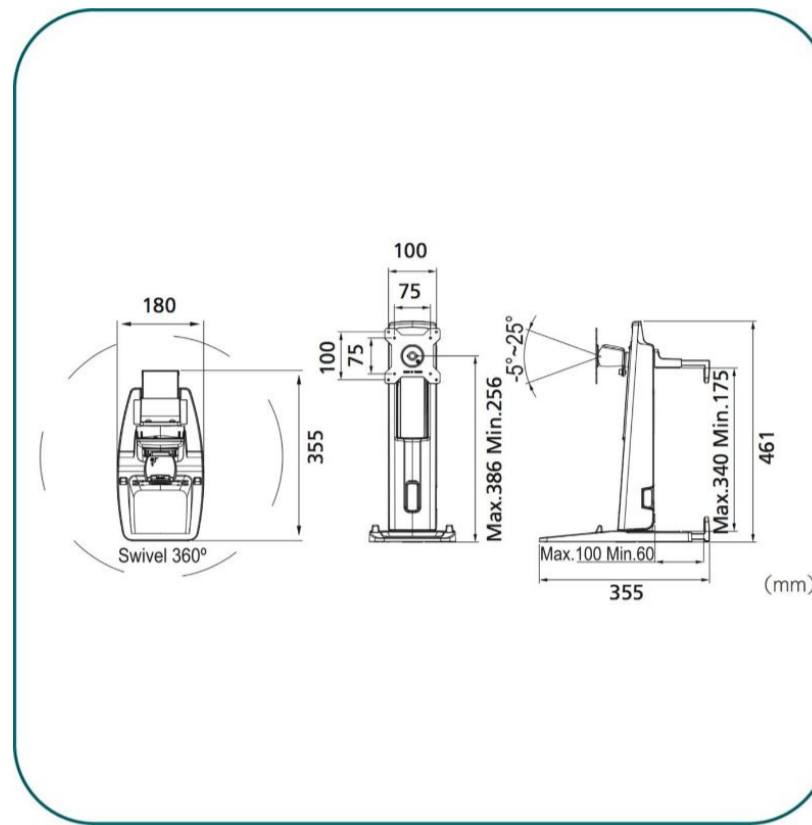
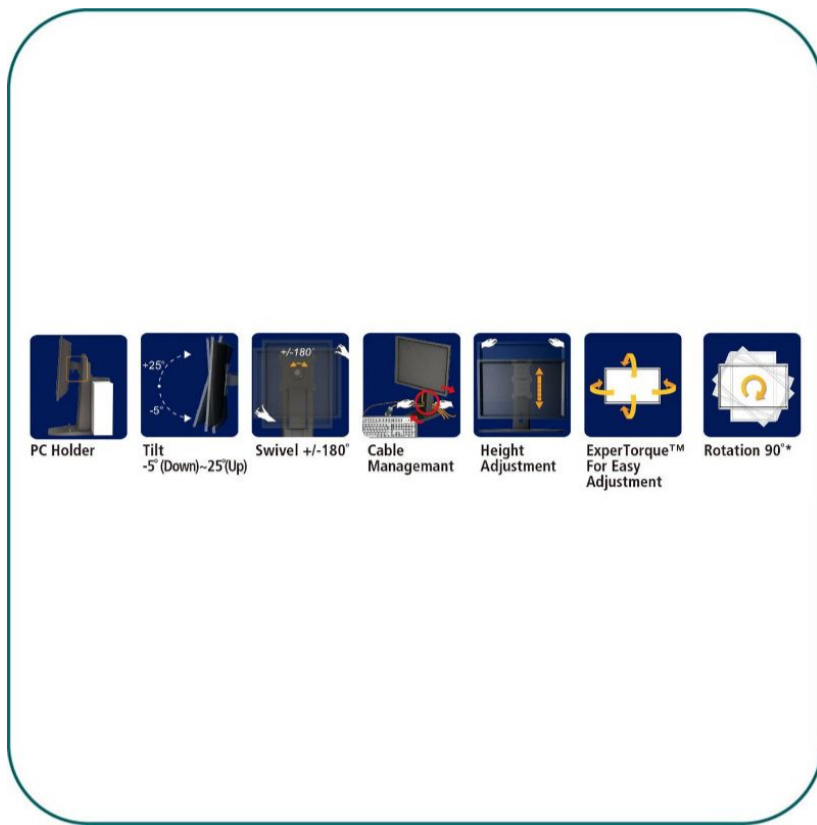


HS740

Aavara HS740 is a Single LED/LCD Monitor stand with PC/CPU Holder for 15~24 inch display, featuring Easy Height-Adjustment for Ergonomics.

It supports wide angle of Tilt -5° (down) ~ +25° (up), Swivel & Rotation 360°. VESA 100x100/75x75mm display and ExperTorque™ technology enables easy adjustment of the screens hinged by its weight.

Smart cable management system keeps messy cables in good order.



SPECS

- Height Adjusted Monitor Stand with PC/CPU Holder
- Designed for Single LED/LCD display 15-24 inch with VESA 100x100mm
- TILT -5° (down) ~ +25° (up), SWIVEL 360° for ideal viewing angle
- Smart Cable Management System to align messy cables in order
- ExperTorque™ design for easy adjustment hinged by monitor weight
- VESA COMPATIBLE 100*100mm / 75*75mm
- PC/CPU HOLDER RANGE Height: 175~340mm, Width: 60~100mm
- Height Adjustment Range 130mm /5.12"

FEATURES

- Flat Panel Size:15"-24"/ 38-61cm
- Loading Capacity:8kg/17.6lbs
- Tilt Angle:-5°(down)~+25°(up)
- Swivel Angle:360 °
- PC/CPU HOLDER RANGE:Height 175~340mm, Width 60~100mm
- Display Height Adjustment:130mm/5.12"
- Rotation:360°
- Smart Cable Management:Yes
- Screw Type:M4
- ExperTorque™ :ExperTorque™ design for easy adjustment hinged by monitor weight
- VESA Mounting:100x100mm/ 75x75mm
- Material:Steel/ Aluminum

Single Monitor Stand Series Full Lineup

Search:

Supported Monitor Size (17~24")	↑↓ Stand Base	↑↓ Clamp base	↑↓ Grommet base
Easy Height Adjusted Monitor Stand	HA741		
Height Adjusted Monitor Stand with PC/CPU Holder	HS740		
Single Monitor Stand	TS011	TC011	TI011
Easy Height Adjusted Monitor Stand- Heavy Duty Load	HA741L		
Height Adjusted Monitor Stand with PC/CPU Holder - Heavy Duty Load	HS740L		
Single Monitor Stand (24~32")	TS021	TC021	TI021
BASE Accessory	TC002(for 24~32")	TC001	TI001

Please click Model No. for each product information 8

SHARE THIS PAGE!

