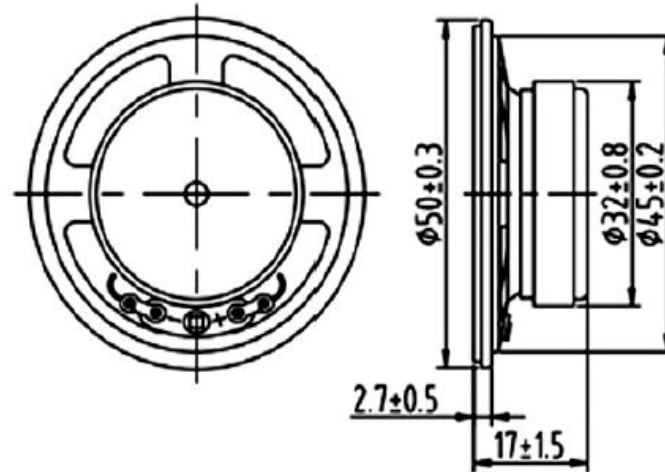
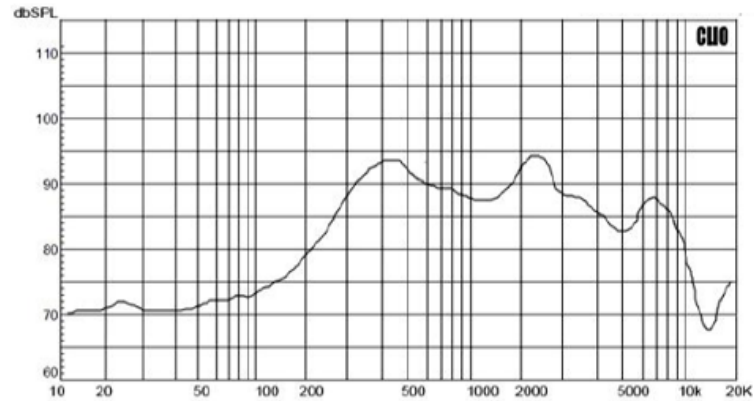


SPECIFICATION		
1	Model No.	S-PC-50-01-16F32P
2	Cone Material:	Paper
3	Edge:	Paper
4	Nominal Power:	0.5W
5	Maximum Power:	1.0W
6	Impedance:	16Ω±15%
7	Fo:	450±20%Hz
8	Response:	F0-4.5KHz
9	S.P.L.:	82±3dB
10	Magnet Size:	Φ32×Φ18×6(Ferrite)



REVISION HISTORY			
LTR	DESCRIPTION	DATE	APPROVED
-	RELEASED FROM ENGINEERING	9/23/2003	Y M
A			
B			
C			



NOTES:

1. ALL DIMENSIONS ARE IN MILLIMETERS
2. SPECIFICATIONS SUBJECT TO CHANGE WITHOUT NOTICE