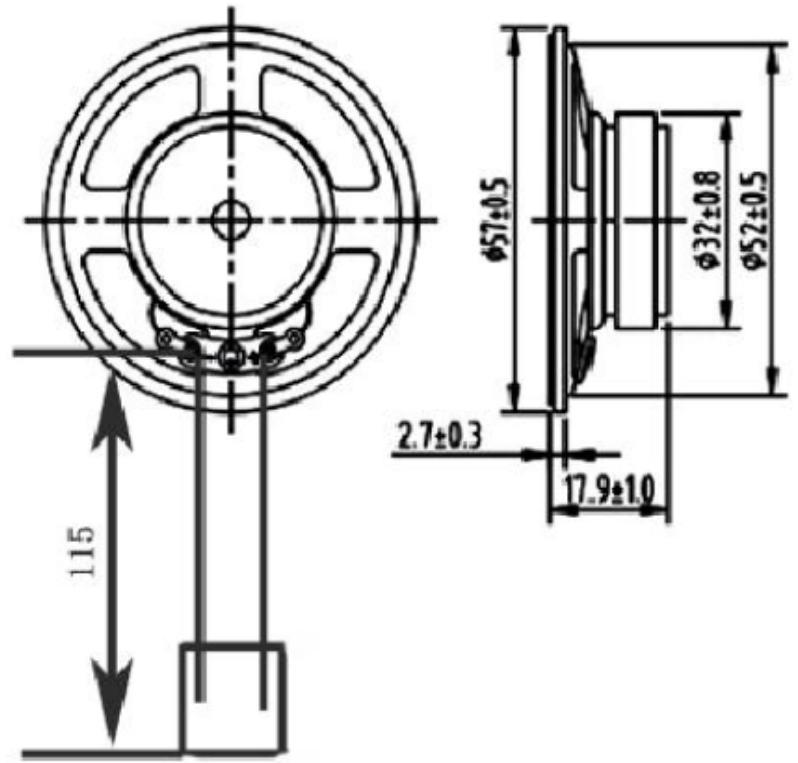
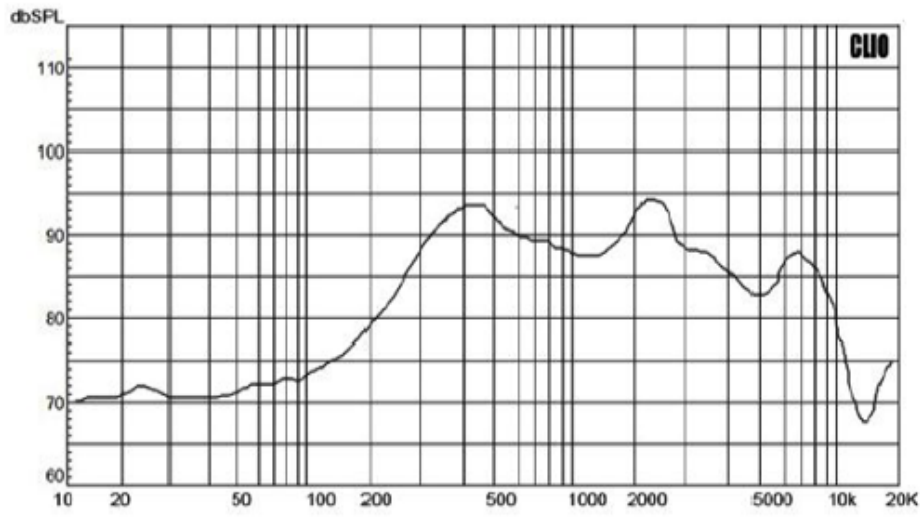


SPECIFICATION		
1	Model No.	S-PC-57-01-8F32P-CON
2	Cone Material:	Paper
3	Edge:	Paper
4	Nominal Power:	0.5W
5	Maximum Power:	1.0W
6	Impedance:	$8\Omega \pm 15\% \Omega$
7	Fo:	$450 \pm 20\% \text{Hz}$
8	Response:	F0-4.5KHz
9	S.P.L.:	$84 \pm 3 \text{dB}$
10	Magnet Size:	$\Phi 32 \times \Phi 18 \times 6$ (Ferrite)



REVISION HISTORY			
LTR	DESCRIPTION	DATE	APPROVED
-	RELEASED FROM ENGINEERING	9/23/2003	Y M
A			
C			
B			



- NOTES:
1. ALL DIMENSIONS ARE IN MILLIMETERS
 2. SPECIFICATIONS SUBJECT TO CHANGE WITHOUT NOTICE
 3. THE ACTUAL PRODUCT TERMINAL BOARD IS IN RED