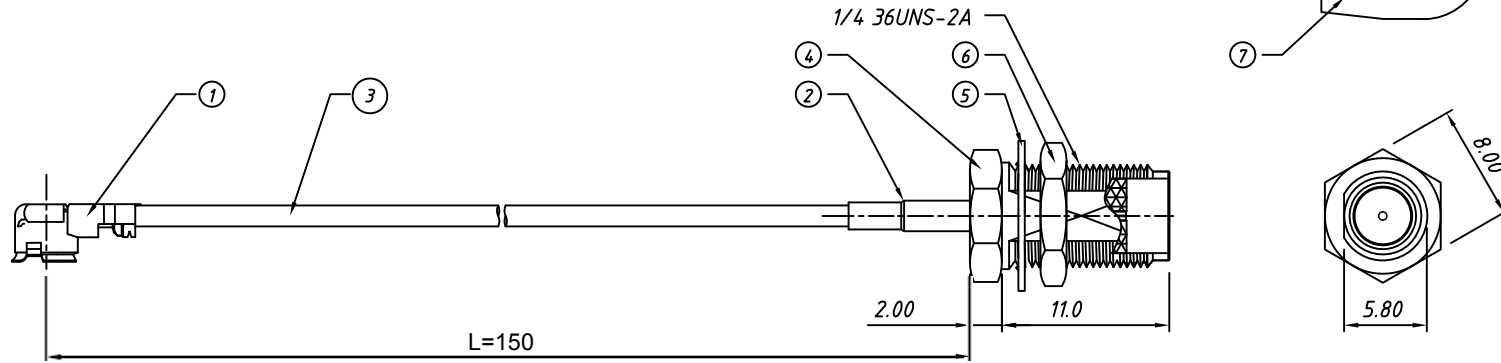


RoHS compliant



Note:

- 1: V.S.W.R: 1.5(0~3G), Max.
- 2: Wire surface shall have no dirt, broken.
- 3: Connector surface with coating, oxidation phenomenon.
- 4: Connector pins and insulator are in the same plane

| | | | | |
|-----|------------------|--|-------|------|
| 7 | CAP | Rubber CAP,Red | PCS | 1 |
| 6 | Nut | T1.8mm Nut,1/4 36UNS-2A | PCS | 1 |
| 5 | Washers | T0.4mm Washers | PCS | 1 |
| 4 | Connector | SMA Jack,Female Straight , for RG178,RG316,0.81,1.13,1.32,1.37mm | PCS | 1 |
| 3 | RF Cable | RG178,RG316,0.81,1.13,1.32,1.37mm Cable | mm | L |
| 2 | Heat-Shrink Tube | φ1.0mm Heat-Shrink Tube,Block,L15mm | PCS | 2 |
| 1 | Connetor | I-PEX Plug, for RG178,RG316,0.81,1.13,1.32,1.37mm Cable | PCS | 1 |
| No. | Name | Description | UNITS | Q'ty |

| | | Description: | |
|------------|-------------------|---------------------------|-----------------------|
| PROJECTION | | I-PEX to SMA Female Cable | |
| UNITS | mm | P/N | GSM-IPX / SMA-1G-150C |
| SHEET SIZE | A4 | CONN THERM Co.,Ltd | |
| Draw: | Daniel 2018-06-21 | | |
| Check: | Daniel 2018-06-21 | | |