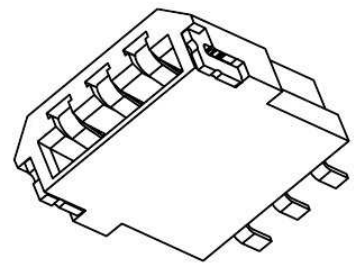
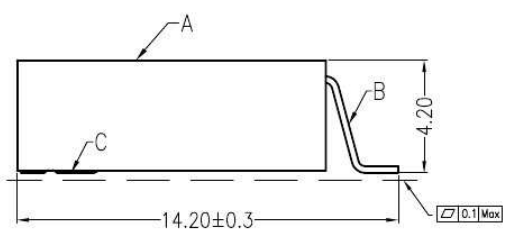
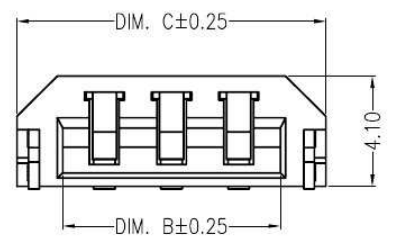


Mating Aluminum plate detail

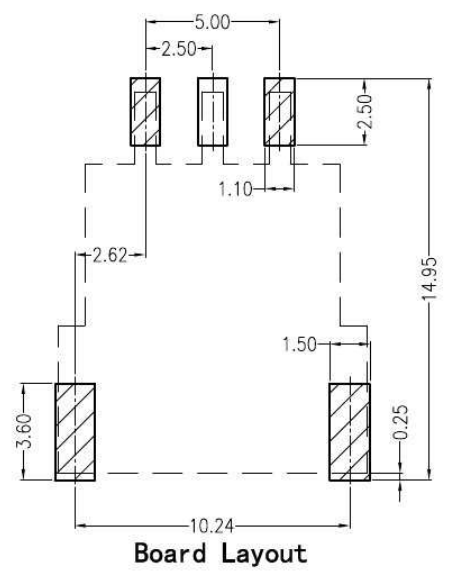
REV	ECN No.	DESCRIPTION	DESIGN	DATE
A0		Release		2014.03.18



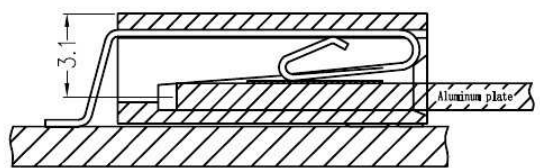
Main Specifications
 Thickness: 1.0mm to 1.2mm
 Contact resistance: ≤20mOhm
 Insulation resistance: ≥800MOhm
 Rated voltage: 250V AC DC
 Rated current: 2.0A AC DC
 Withstand Voltage: 800V AC/minute
 Temperature Range: -25°C --- +105°C



	DIM=A	DIM=B	DIM=C
02	2.50	5.60	9.00
03	5.00	8.10	11.50



Board Layout



Assembly Layout

ITEM	COMPONENT	Q'TY	MATERIAL	FINISH
C	SOLDER TAB	2 PCS	Brass	Sn-plated
B	CONTACT	2~3 PCS	PhosphorBronze	MATE Sn-plated
A	PEDESTAL	1 PCS	LCP	UL 94V-0, COLOR:BEIGE

LEDsconn			TITLE:	
			2.5mmPITCH 90°WAFER SMT TYPE	
X.±0.5	X.±5°	USE:	CUSTOMER	
.X±0.3	.X±2°			
.XX±0.25	.XX±1°			
---		CHKD:	PART NO.:	
---		DR:	DWG NO.:	
		UNITS: mm	SCALE	SHEET
			1 : 1	1 / 1