

## DETAILS

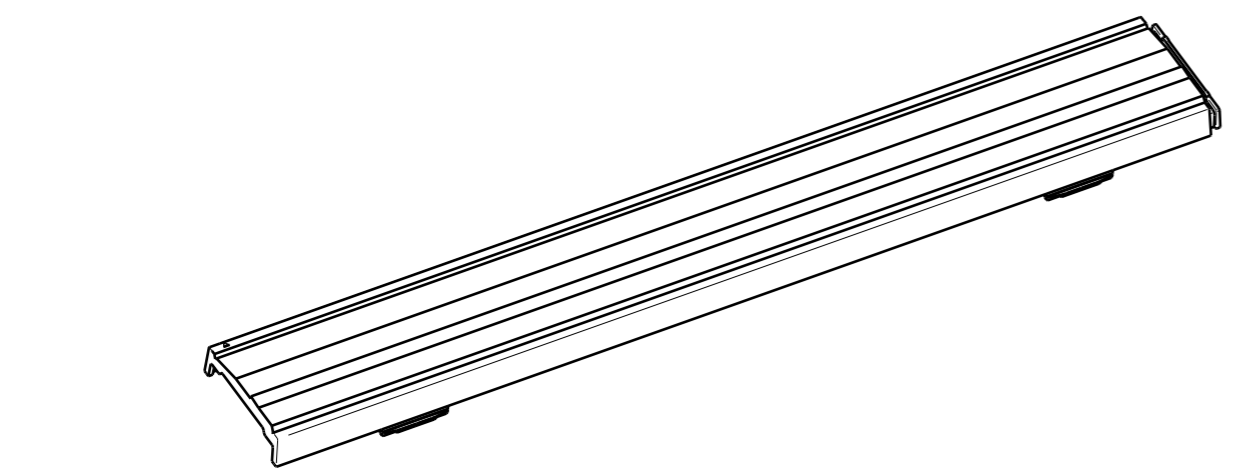
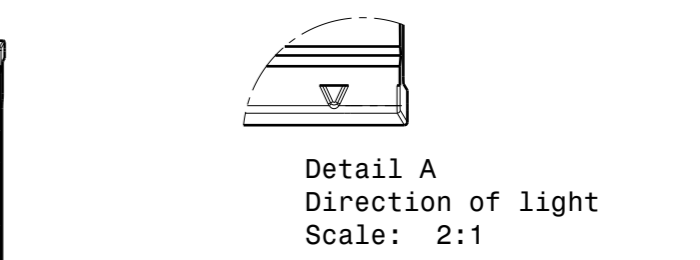
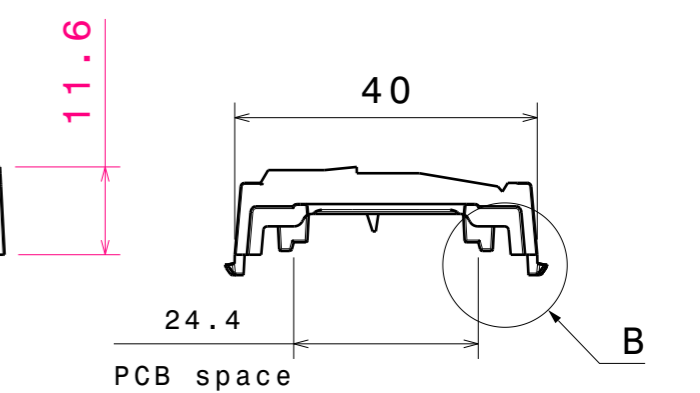
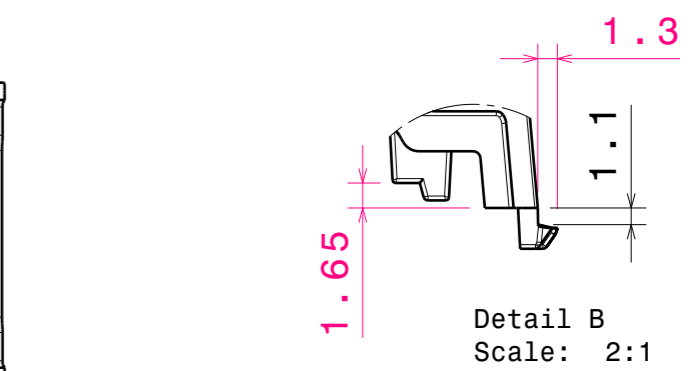
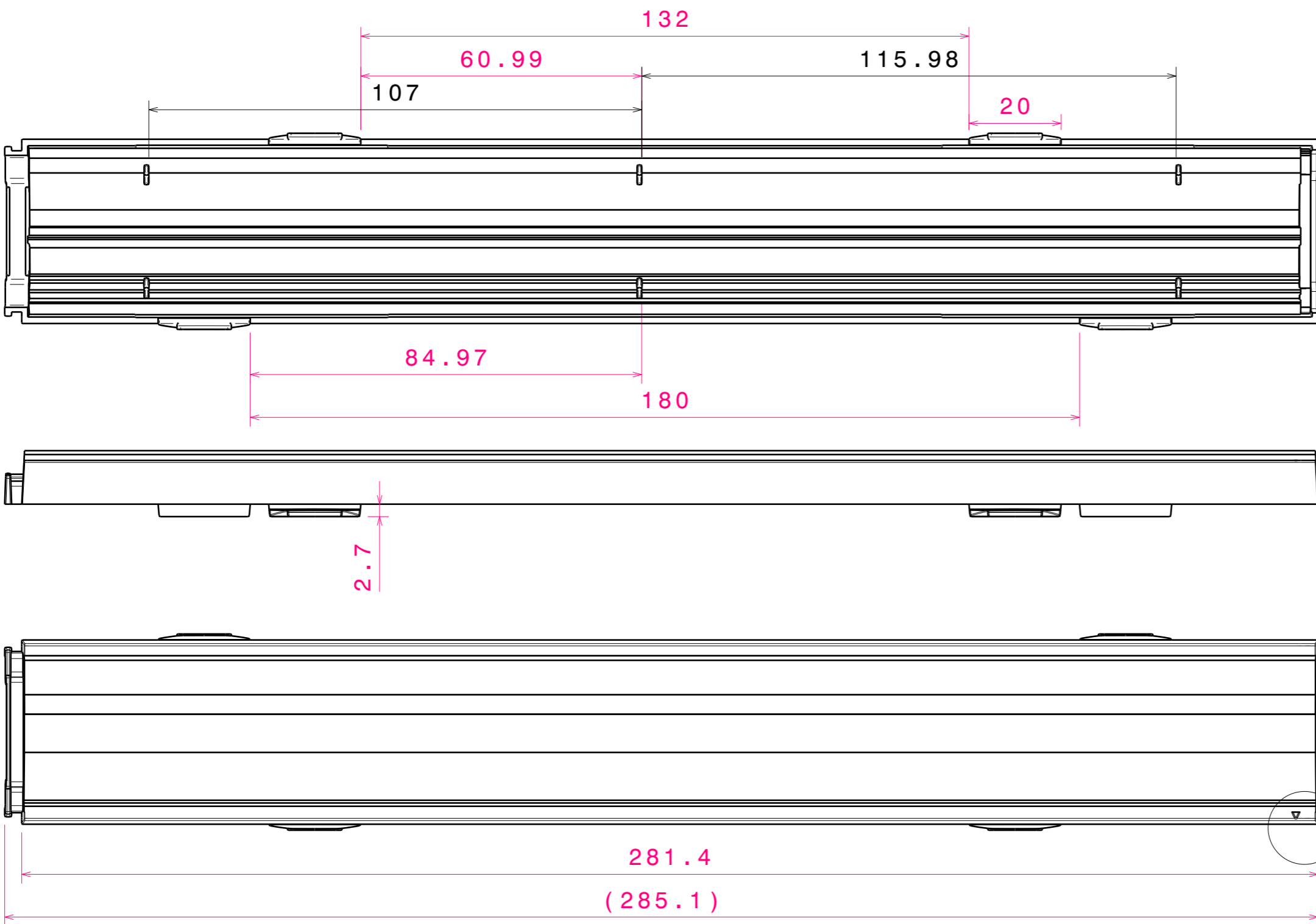
<b>Product Number</b>	F15861_LINNEA-ZT25
<b>Family</b>	Linnea
<b>Type</b>	
<b>Color</b>	clear
<b>Diameter</b>	285x40 mm
<b>Height</b>	9,5 mm
<b>Style</b>	rectang
<b>Optic Material</b>	
<b>Holder Material</b>	
<b>Fastening</b>	clips
<b>Status</b>	sample approved
<b>ROHS Comliant</b>	Yes
<b>Date Updated</b>	3/08/2017

## OPTICAL PROPERTIES

LED	Viewing	Light	Effi-		Connector
	Angle	Beam	ciency	cd/lm	
NFSx757D	sim: asymmetric		sim: 73 %	sim: 0.000	-
NF2x757G	sim: Asymmetric		sim: 84 %	sim: 0.790	-
LM561B	sim: asymm		sim: 73 %	sim: 0.000	-
LM561B Plus	Asymmetric deg		79 %	0.700	-



H G F E D C B A



INDEX	PART NO	DESCRIPTION	MATERIAL	COLOUR
1	F15861	LINNEA-ZT25	PC	clear

Tolerances if not otherwise shown  
 According to DIN ISO 2768-1  
 Linear measures:  
 Up to 30mm class M, otherwise class C.  
 According to DIN ISO 2768-2  
 Form and position: class L

**LEDiL** LediL Oy  
 Salorankatu 10  
 FIN 24240 SALO  
 Finland

THIRD ANGLE PROJECTION:

DRAWING TITLE  
**F15861\_LINNEA-ZT25**

This drawing is the property  
 of LEDiL Oy. It may not be  
 reproduced, copied or  
 communicated without a written  
 agreement with LEDiL Oy.

SIZE	PART NUMBER
A3	F15861

SCALE	1:1	WEIGHT	46,6g	SHEET	1/2
-------	-----	--------	-------	-------	-----

H G B A

H G F E D C B A

4

4

3

3

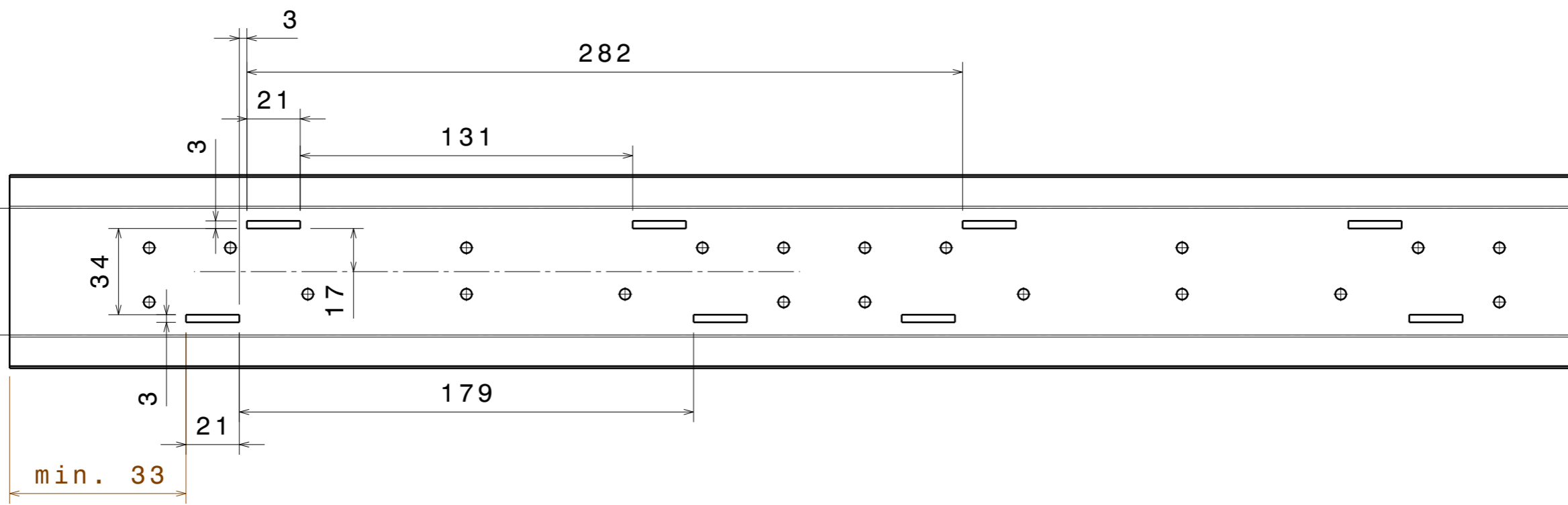
2


2

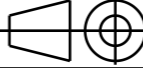
1

1

H G F E D C B A

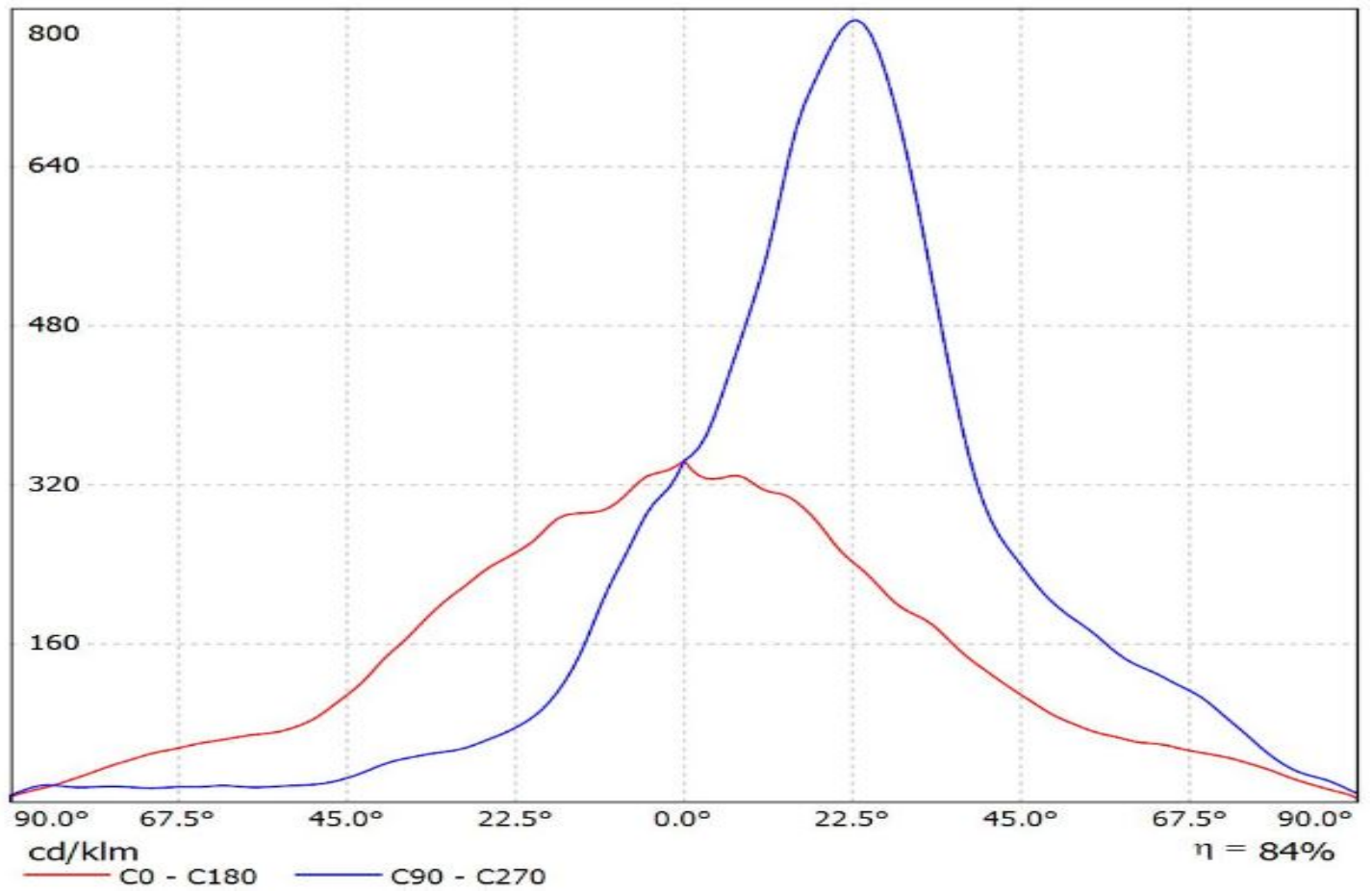


 Ledil Oy Salorankatu 10 FIN 24240 SALO Finland		DRAWING TITLE	
		LINNEA SHEETMETAL CUT OUT	
SIZE	PART NUMBER		
A3	-		
SCALE	1:2	WEIGHT	
		SHEET	2/2

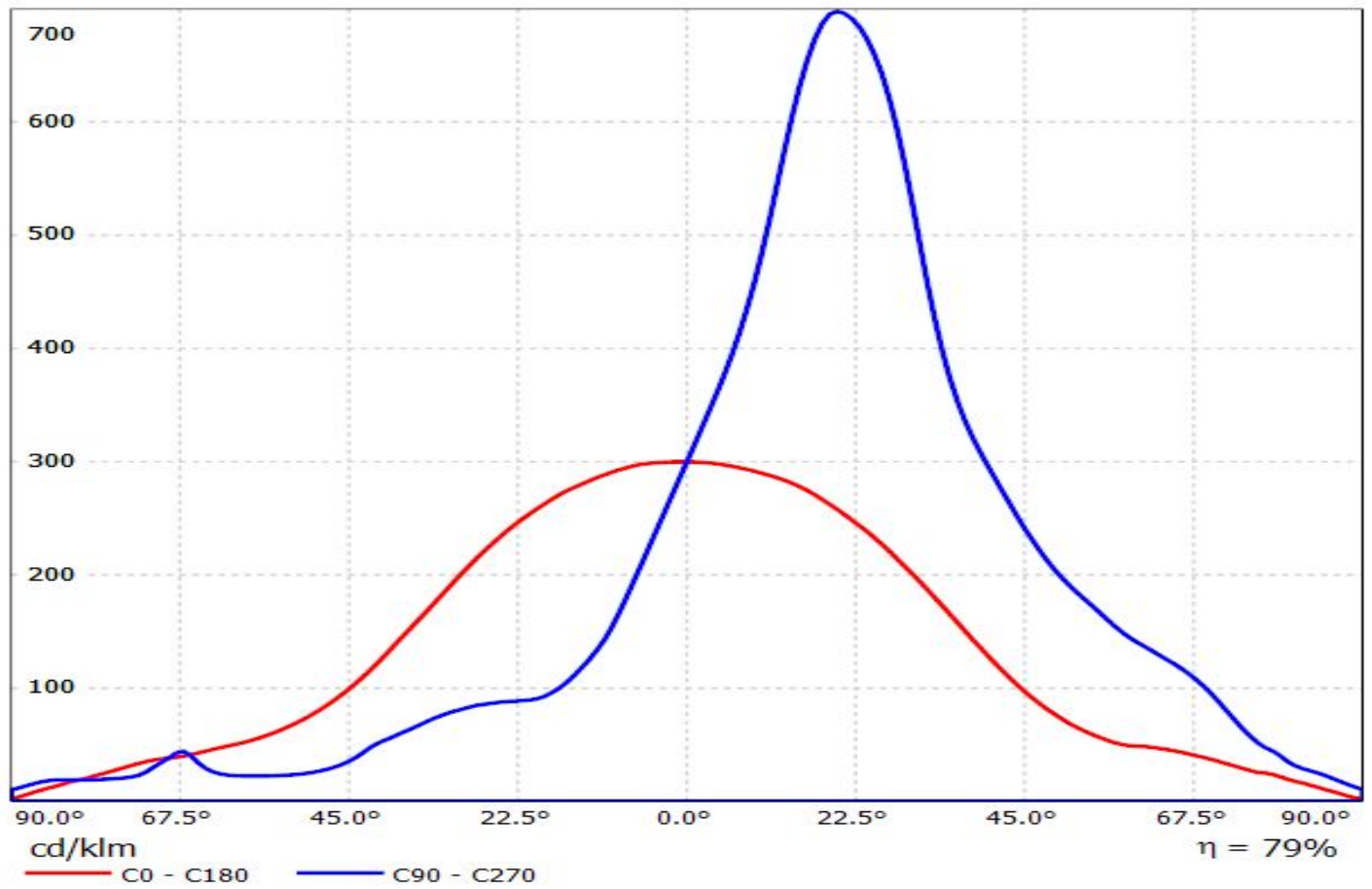
FIRST ANGLE PROJECTION: 

This drawing is the property of LEDiL Oy. It may not be reproduced, copied or communicated without a written agreement with LEDiL Oy.

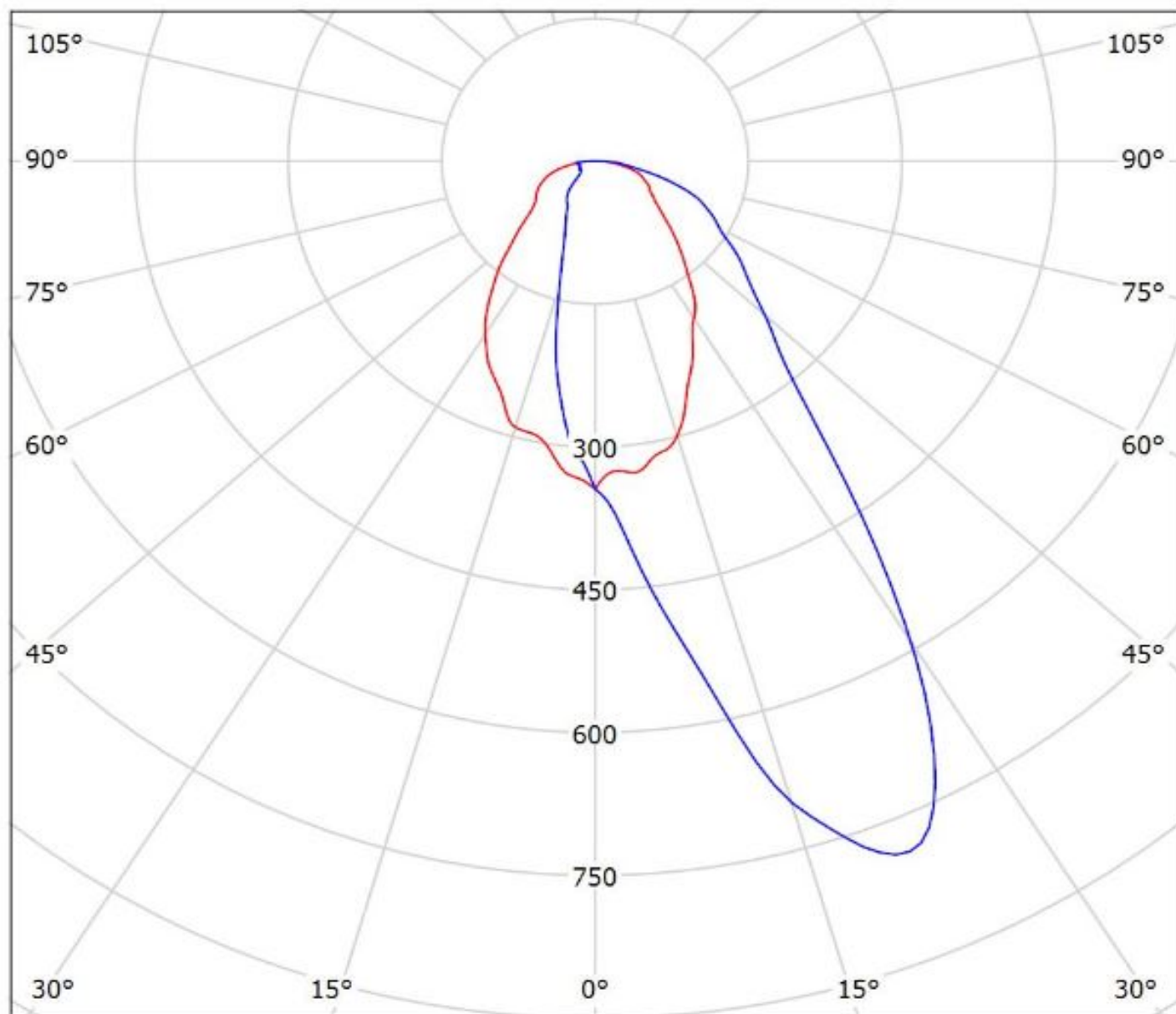
Luminaire: Ledil Oy F15861\_LINNEA-ZT25\_(NF2W757GR-V1)\_SIMULATED  
Lamps: 1 x Nichia NF2W757GR-V1



Luminaire: LEDiL Oy F15861\_LINNEA-ZT25\_(LM561B+)\_Cav1  
Lamps: 1 x Samsung\_LM561B+\_1352.18lm@250mA\_P=9.11545W\_I=0.25A



Luminaire: Ledil Oy F15861\_LINNEA-ZT25\_(NF2W757GR-V1)\_SIMULATED  
Lamps: 1 x Nichia NF2W757GR-V1

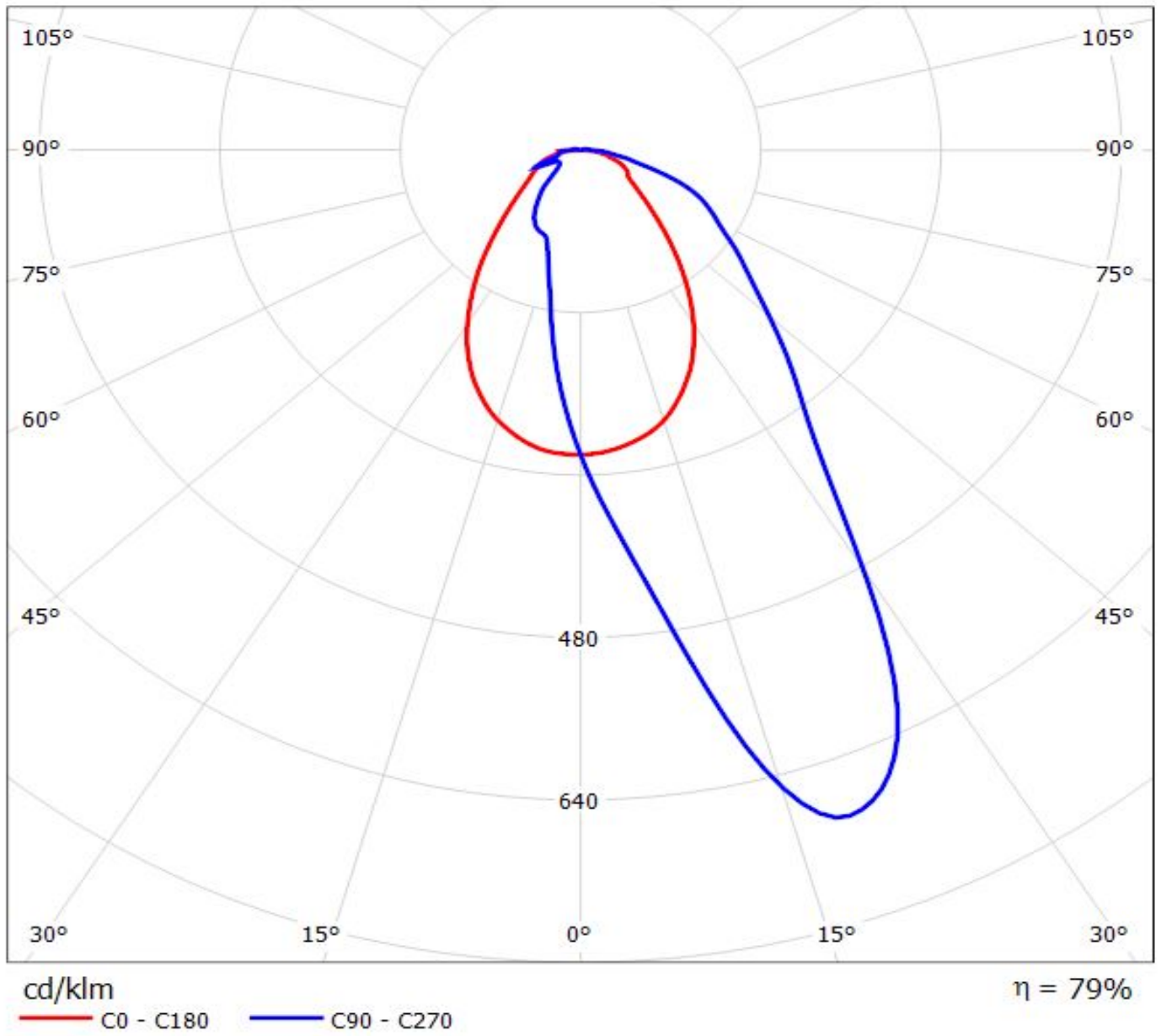


cd/klm

— C0 - C180 — C90 - C270

$\eta = 84\%$

Luminaire: LEDiL Oy F15861\_LINNEA-ZT25\_(LM561B+)\_Cav1  
Lamps: 1 x Samsung\_LM561B+\_1352.18lm@250mA\_P=9.11545W\_I=0.25A



**NOTE: The typical divergence will be changed by different color, chip size and chip position tolerance. The typical total divergence is the full angle measured where the luminous intensity is half of the peak value.**