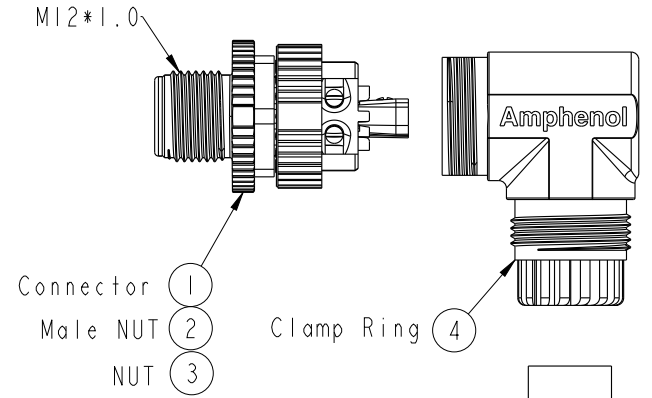


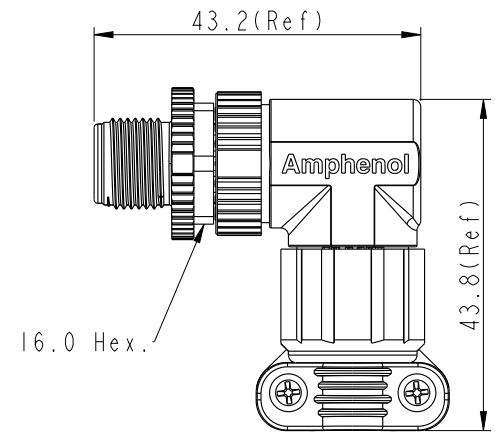
REV.	ECN NO.	DATE	SIGN	DESCRIPTION
A	Initial Release	2017-04-14	Frank Deng	Rev.01 To Rev.A
B	LE317B0195	2017-11-18	Frank Deng	Update Drawing

ALTW
CONFIDENTIAL
 2017-11-18
R&D DEPT.

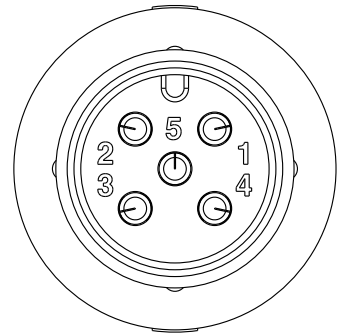
360° Adjustable Key Code Direction



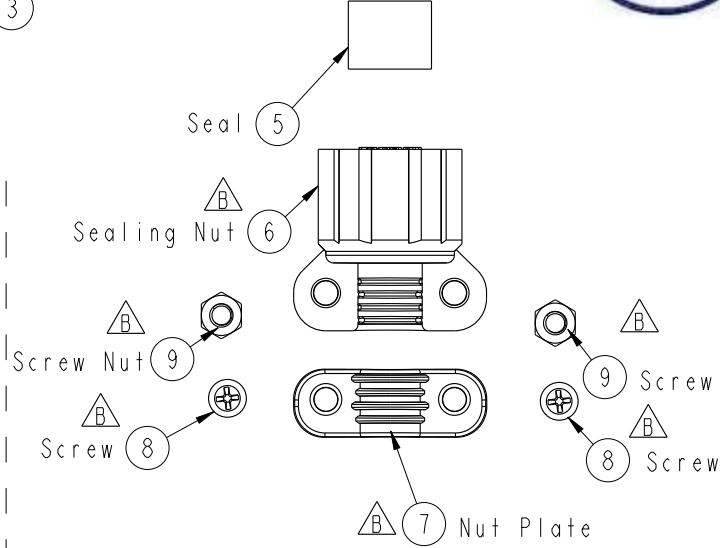
ALTW
 DCC. DEPT.
CONFIDENTIAL
 2017.12.12
ISSUED



- Note:
- * (∅) Important Dimension To Check.
 - * Waterproof Rate: IP67(Mated)
 - * Housing: Nylon,Black
 - * Male Pin: Copper Alloy, Gold Plated
 - * Male Nut: PBT+PC,Black
 - * Nut: PBT+PC,Black
 - * O-Ring: Silicon, Grey
 - * Clamp Ring: Nylon,Black
 - * Seal: Silicon, Grey
 - * Sealing Nut: Nylon+GF,Black
 - * Nut Plate: Nylon+GF,Black
 - * Seal For Cable OD: $\varnothing 4.0\text{mm} \sim \varnothing 7.0\text{mm}$
 - * Screws for Wire connection recommended tightening torque: 0.61~0.84 kgf.cm / 0.059~0.082 N.m
 - * Applicable Wire gauge (Stranded wire cross section) 0.14mm² (26AWG) ~ 0.82mm² (18AWG)
 - * Mating Recommended tightening torque: 4~6 kgf.cm / 0.39~0.59 N.m
 - * Sealing-Nut Recommended tightening torque: 4~6 kgf.cm / 0.39~0.59 N.m
 - * Detailed applicable wire specifications may vary depending on the actual wire construction.



Pin Assignments
 Front View



UNIT:mm		
TOLERANCE		
.X	±0.25	
.XX	±0.1	
.XXX	±0.05	
ANGLES	±1°	

TITLE NMEA MICRO-C, FIELD INSTALLABLE 5PIN, R/A, M CONN M PIN, PLASTIC			
SCALE 1:1	SIZE A4	SHEET 1 OF 1	
REV. B	WC-REV. A.2	QC: Inspection item	

Amphenol LTW
 安費諾亮泰企業股份有限公司

ITEM NO HPC-05BMMB-SR7001	DRAWN BY Frank Deng	DATE 2017-11-18
DWG NO HPC-05BMMB-SR7001	CHECKED BY Fisher Wang	DATE 2017-11-18
CUSTOMER ALTW	APPROVED BY Kevin Hu	DATE 2017-11-18

THIS DOCUMENT IS SUBJECT TO CHANGE WITHOUT NOTICE. IT IS CONFIDENTIAL AND A PROPERTY OF Amphenol LTW. DISCLOSURE TO THIRD PARTY HAS TO BE AUTHORIZED BY Amphenol LTW.