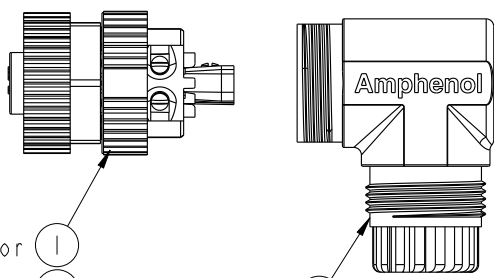


REV.	ECN NO.	DATE	SIGN	DESCRIPTION
A	Initial Release	2017-04-14	Frank Deng	Rev.01 To Rev.A
B	LE317B0198	2017-11-18	Frank Deng	Update Drawing

**ALTW**  
CONFIDENTIAL  
2017-11-18  
R&D DEPT.

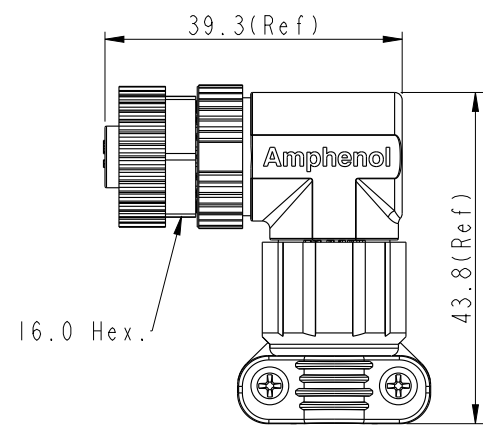
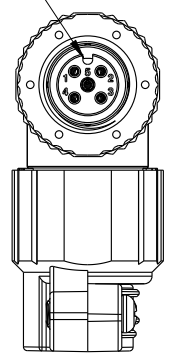
360° Adjustable Key Code Direction



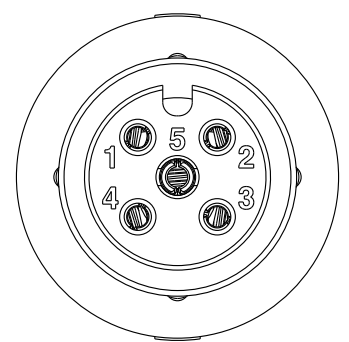
- Connector ①
- Female NUT ②
- NUT ③
- O-ring ⑥

- Clamp Ring ④
- Seal ⑤

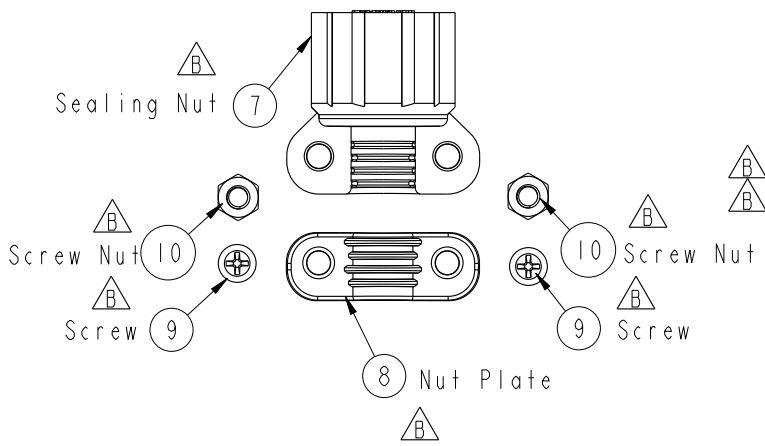
**ALTW**  
DCC. DEPT.  
CONFIDENTIAL  
2017.12.12  
ISSUED



- Note:
- \* (Ⓞ) Important Dimension To Check.
  - \* Waterproof Rate: IP67(Mated)
  - \* Housing: Nylon, Black
  - \* Female Pin: Copper Alloy, Gold Plated
  - \* Female Nut: PBT+PC,Black
  - \* Nut: PBT+PC,Black
  - \* O-Ring: Silicon,Grey
  - \* Clamp Ring: Nylon, Black
  - \* Seal: Silicon,Grey
  - \* Sealing Nut: Nylon+GF, Black
  - \* Nut Plate: Nylon+GF, Black
  - \* Seal For Cable OD:  $\varnothing 4.0\text{mm} \sim \varnothing 7.0\text{mm}$
  - \* Screws for Wire connection recommended tightening torque: 0.61~0.84 kgf.cm / 0.059~0.082 N.m
  - \* Applicable Wire gauge (Stranded wire cross section) 0.14mm<sup>2</sup> (26AWG) ~ 0.82mm<sup>2</sup> (18AWG)
  - \* Mating Recommended tightening torque: 4~6 kgf.cm / 0.39~0.59 N.m
  - \* Sealing-Nut Recommended tightening torque: 4~6 kgf.cm / 0.39~0.59 N.m
  - \* Detailed applicable wire specifications may vary depending on the actual wire construction.



Pin Assignments  
Front View



- Sealing Nut ⑦
- Screw Nut ⑩
- Screw ⑨

- Screw Nut ⑩
- Screw ⑨

- Nut Plate ⑧

UNIT:mm		
TOLERANCE	.X ±0.25	
	.XX ±0.1	
	.XXX ±0.05	
ANGLES	±1°	

TITLE NMEA MICRO-C, FIELD INSTALLABLE 5PIN, R/A, F CONN F PIN, PLASTIC			
SCALE 1:1	SIZE A4	SHEET 1 OF 1	
REV. B	WC-REV. A.2	QC: Inspection item	

**Amphenol LTW**  
安費諾亮泰企業股份有限公司

ITEM NO HPC-05BFFB-SR7001	DRAWN BY Frank Deng	DATE 2017-11-18
DWG NO HPC-05BFFB-SR7001	CHECKED BY Fisher Wang	DATE 2017-11-18
CUSTOMER ALTW	APPROVED BY Kevin Hu	DATE 2017-11-18

THIS DOCUMENT IS SUBJECT TO CHANGE WITHOUT NOTICE. IT IS CONFIDENTIAL AND A PROPERTY OF Amphenol LTW. DISCLOSURE TO THIRD PARTY HAS TO BE AUTHORIZED BY Amphenol LTW.