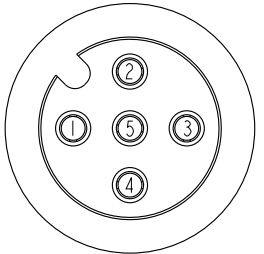
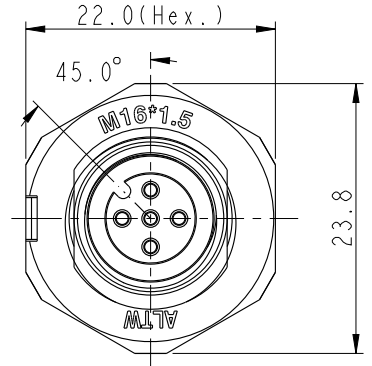
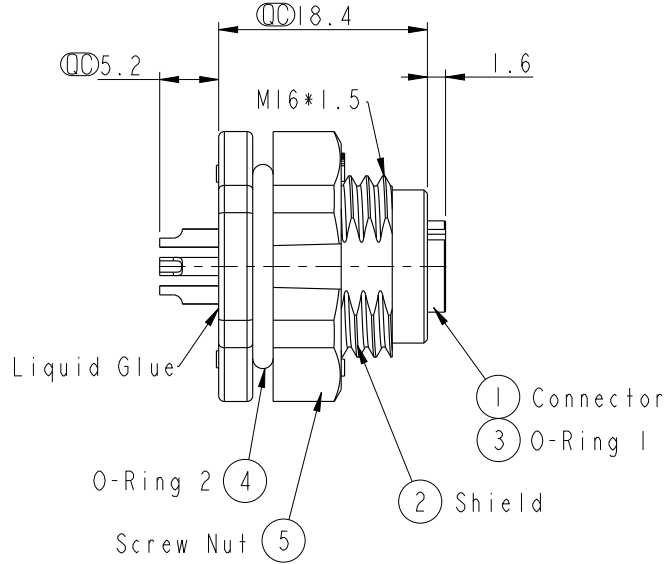
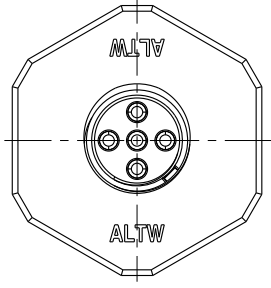
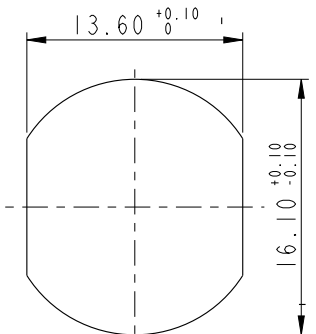


REV.	ECN NO.	DATE	SIGN	DESCRIPTION
A	Initial Release	2017-03-31	Frank Deng	Change Rev.01 To Rev.A
B	LEN1770185	2017-07-03	Frank Deng	Change Note



Pin Assignments
Front View



Recommended
Panel Cut-Out

- Note:**
- * \varnothing Important Dimension To Check
 - * Waterproof Tate: IP68(in 1M water 24hrs)
 - * Connector: Nylon+GF, 94V-0, Black
 - * Female Pin: Copper Alloy, Gold Plated
 - * Shield: Nylon+GF, 94V-0, Black
 - * O-Ring 1: Silicone, Gray
 - * O-Ring 2: Silicone, Gray
 - * Nut: Nylon+GF, 94V-0, Black
 - * For panel Thickness Max 4.9mm

UNIT:mm		TITLE	NMEA2000, MICRO-C, PANEL,SOLDER 5PIN, M CONN M PIN, PLASTIC		ITEM NO	HPC-05PFFS-SF8001	DRAWN BY	Frank Deng	DATE	2017-07-06	
		SCALE	3:2	SIZE	A4	DWG NO	HPC-05PFFS-SF8001	CHECKED BY	Fisher Wang	DATE	2017-07-06
TOLERANCE	.X ±0.25	REV.	B	WC-REV.	A.2	CUSTOMER	ALTW	APPROVED BY	Kevin Hu	DATE	2017-07-06
.XX ±0.1	.XXX ±0.05	SHEET 1 OF 1		Amphenol LTW 安費諾亮泰企業股份有限公司							
ANGLES ±1°		\varnothing : Inspection item									

THIS DOCUMENT IS SUBJECT TO CHANGE WITHOUT NOTICE. IT IS CONFIDENTIAL AND A PROPERTY OF AMPHENOL LTW. DISCLOSURE TO THIRD PARTY HAS TO BE AUTHORIZED BY AMPHENOL LTW.